

lightbars

RX 2700CC™



Premier LED Lightbar

Design Features

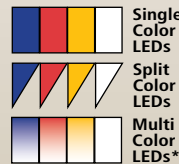
- Easy to operate central controller changes settings or flash patterns with a single touch.
- MultiColor: 22 LED Directional PriZm II Lightheads in Front & Rear Positions and Corners
- Single Color: 12 LED, 8 LED or 3 LED Directional PriZm II Lightheads in Front and Rear Positions and 12 LED in Corners
- Full sized NarrowStik® in your bar — No longer give up emergency warning colors to have an amber Arrowstik
- 1000 Family Flash Pattern Software
- LED Dimming Feature
- Flasher/Steady Burn Feature for Takedown and Alley Lights
- Corner Cruise Lights
- Built-In NarrowStik™ Function
- LED Takedown Lights and Alley Lights
- Adjustable Mounting Kit

Options

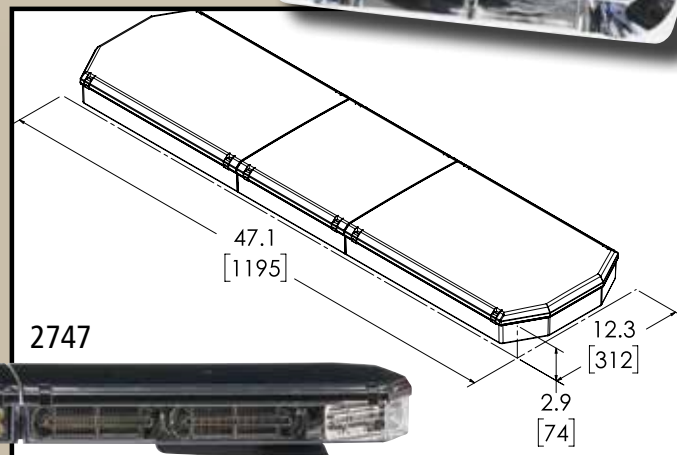
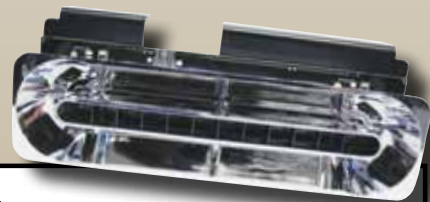
- Various Length NarrowStik™
- Upper Lenses Available in Red, Blue, Amber, Clear or Black
- Lighted LIT3 Mounting Kit (LED and/or 55W Halogen)
- 795H Opticom™, N-3 Emitter
- LED Stop/Turn/Tail Lights
- Serial Interface (CC bars only)
- NarrowStik Controller (CC bars only)
- Solar Panel with Battery Conditioner
- Quick Disconnect Cable
- Auto Dimming with Photocell (CC bars only)
- Lower Lenses available in Red/Blue for specific configurations

Specifications

- 18" (457 mm), 22.5" (572 mm), 36" (914 mm), 44" (1118 mm), 47" (1194 mm), 52" (1321 mm), 58" (1473 mm), 69" (1753 mm), 80" (2032 mm) and 91" (2311 mm) Lengths
- 12.2" W x 2.7" H (310 mm x 69 mm)
- 12 Volt
- Meets all Applicable SAE, NFPA, ECE 65 and California Title 13 Specifications when properly configured.
- 5-Year Warranty on LED Modules and Central Controller



*MultiColor LEDs are any two individual color combinations shown above
(No Blue/Amber Combination)
(Split Colors in CC only)



RX 2700CC™



Lighthheads

- Two full signals out of one multicolor lighthouse
- Turn a red/white, red/blue or blue/white lighthouse combination into a white takedown or alley light at no additional cost or loss of emergency warning positions.
- Advanced Prizm II dual reflector LED technology provides a brighter signal for superior visibility and safety.



Customize

- Full range of options allows you to customize the lightbar to meet your specific requirements.
- SmartPro™ controller allows configuring the lightbar flash patterns with a touch of a button



Takedowns

- Powerful LED takedowns



View the RX 2700
Site for more
info here!

