

INSTALLATION & OPERATION MANUAL

MODEL 416/ 426
SWITCHBOX

Code 3, Inc., a subsidiary of
Public Safety Equipment, Inc.

CODE 3
PUBLIC SAFETY EQUIPMENT, INC.

Introduction

The 416 Switchbox is a 6 switch control center without circuit breakers. The model 426 is the same 6 switch control center protected by 3 circuit breakers. The 426 also offers backlighting as standard equipment. Backlighting is optional on the 416.

Procedure

Wiring Instructions:

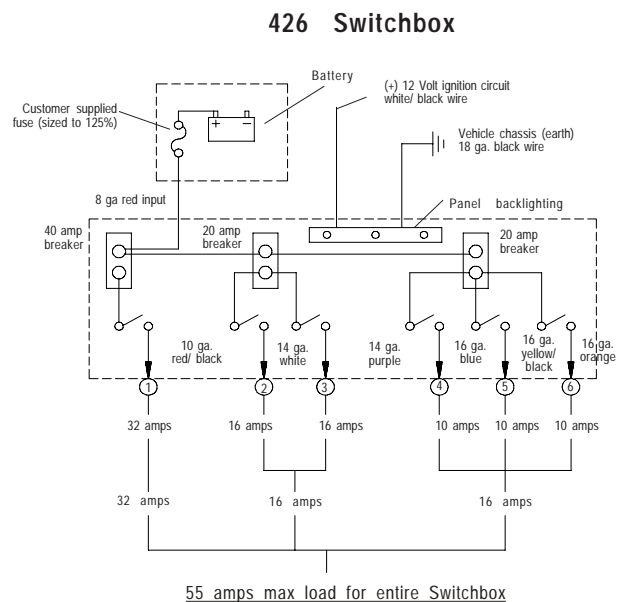
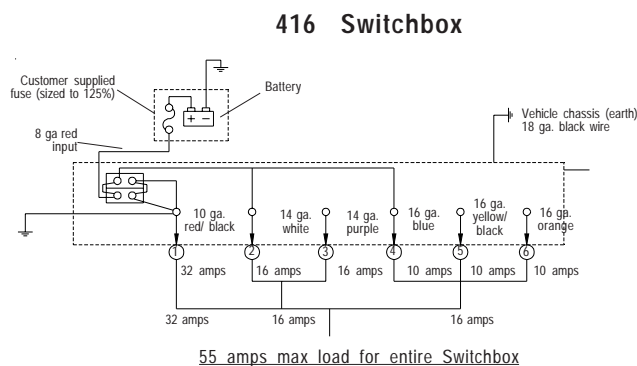
- 1) The installer needs to first determine the current load in amps of each of the devices to be switched by the Switchbox.
- 2) Connect the devices to the desired switch, noting the current limitations of each switch and group of switches.
- 3) An 8 gauge wire should be run from the Red 8 gauge Switchbox input wire to a user supplied fuse, then to the (+) side of the battery, the alternator, or the stud on the battery side of the solenoid. The user supplied fuse should be located as close to the battery as possible and sized to 125% of the total load carried by the Switchbox (i.e.: if the total load carried is 40 amps; $40 \text{ amps} \times 125\% = 50 \text{ amp fuse}$). A circuit breaker is not recommended here, they are very sensitive to high ambient temperatures and will false trip

when mounted in hot environments or operated close to their capacity. Do not use 1/4" dia. glass fuses as they are not suitable for continuous duty in sizes above 15 amps.

- 4) Connect the black wire to vehicle chassis (earth).



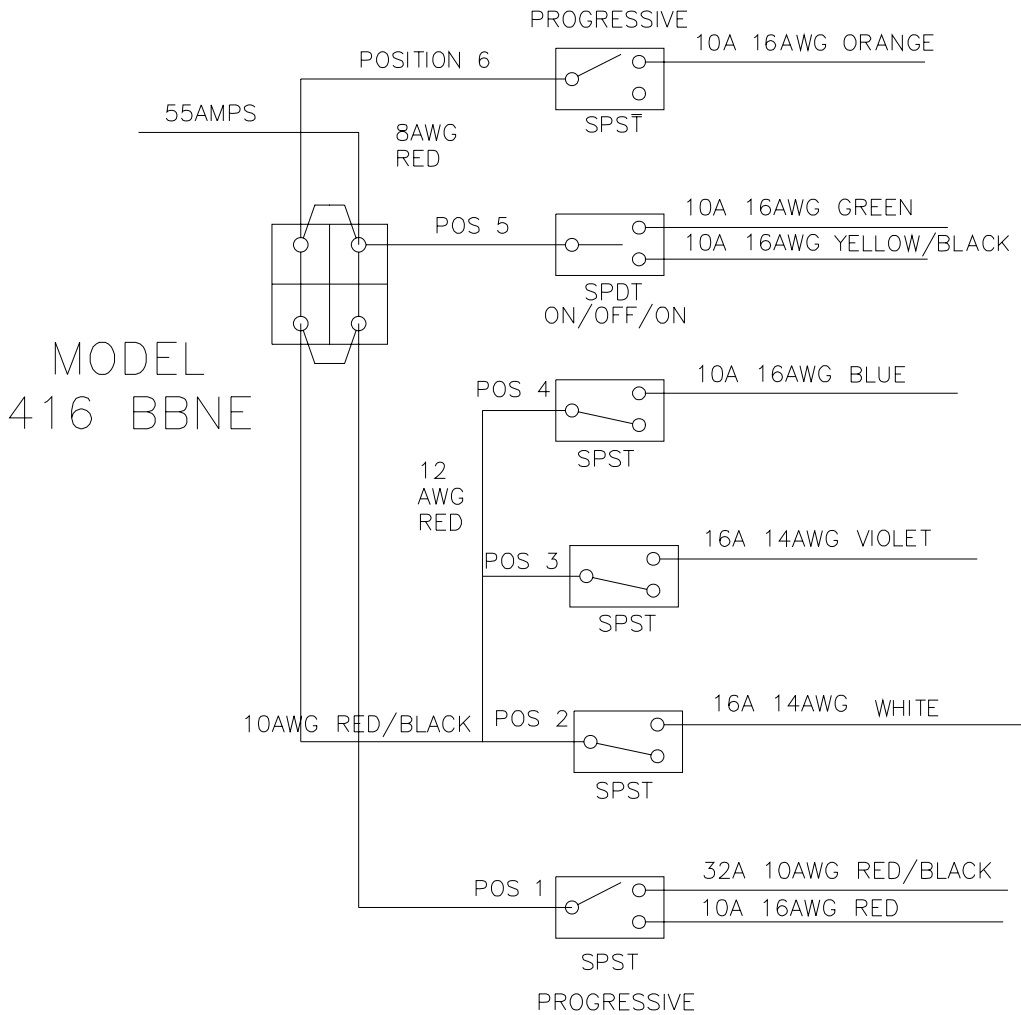
Larger wires and tight connections (crimp connectors perform poorly over time) will provide longer service life for components. It is highly recommended that terminal blocks or soldered connections be used with shrink tubing to protect the connections. Do not use insulation displacement connectors (e.g. 3M® Scotchlock type connectors). Route wiring using grommets and sealant when passing through compartment walls. Minimize the number of splices to reduce voltage drop. High ambient temperatures (e.g. under hood) will significantly reduce the current carrying capacity of wires, fuses, and circuit breakers. Use "SXL" type wire in engine compartments.



IMPORTANT:

Read all instructions and warnings before installing and using.

INSTALLER: *This manual must be delivered to the end user of this equipment.*



WARNING!

The use of this or any warning device does not insure that all drivers can or will observe or react to an emergency warning signal. Never take the right-of-way for granted. It is your responsibility to be sure you can proceed safely before entering an intersection, driving against traffic, responding at a high rate of speed, or walking on or around traffic lanes. The effectiveness of this warning device is highly dependent upon correct mounting and wiring. Read and follow the manufacturer's instructions before installing or using this device. The vehicle operator should insure daily that all features of the device operate correctly. In use, the vehicle operator should insure the projection of the warning signal is not blocked by vehicle components (i.e.: open trunks or compartment doors), people, vehicles, or other obstructions.

This equipment is intended for use by authorized personnel only. It is the user's responsibility to understand and obey all laws regarding emergency warning devices. The user should check all applicable city, state and federal laws and regulations.

Public Safety Equipment, Inc., assumes no liability for any loss resulting from the use of this warning device.

NOTES

WARRANTY

This product was tested and found to be operational at the time of manufacture. Provided this product is installed and operated in accordance with the manufacturer's recommendations, Public Safety Equipment guarantees all parts and components except the lamps for a period of 1 year from the date of purchase or delivery, whichever is later. Units demonstrated to be defective within the warranty period will be repaired or replaced by the factory or at a factory authorized service center at no cost.

Use of a lamp or other electrical load of a wattage higher than installed or recommended by the factory causes this warranty to become void. Failure or destruction of the product resulting from abuse or unusual use and/or accidents is not covered by this warranty.

PSE shall in no way be liable for other damages including consequential, indirect or special damages whether loss is due to negligence or breach of warranty.

PSE MAKES NO OTHER EXPRESS OR IMPLIED WARRANTY INCLUDING, WITHOUT LIMITATION, WARRANTIES OF FITNESS OR MERCHANTABILITY, WITH RESPECT TO THIS PRODUCT.

PRODUCT RETURNS

In order to provide you with faster service, if you are going to return a product for repair or replacement*, please contact our factory to obtain a Return Goods Authorization Number (RGA number) before you ship the product to PSE. Write the RGA number clearly on the package near the mailing label. Be sure you use sufficient packing materials to avoid damage to the product being returned while in transit.

*PSE reserves the right to repair or replace product at its discretion. PSE assumes no responsibility or liability for expenses incurred for the removal and/or reinstallation of products requiring service and/or repair.

PROBLEMS OR QUESTIONS? CALL OUR TECHNICAL ASSISTANCE HOTLINE (314) 996-2800

WWW.CODE3PSE.COM

Code 3,® Inc., a subsidiary of
Public Safety Equipment, Inc.

CODE 3[®]
PUBLIC SAFETY EQUIPMENT, INC.

Code 3®, Inc.
10986 N. Warson Road
St. Louis, Missouri 63114-2029—USA
Ph. (314) 426-2700 Fax (314) 426-1337

Part No. T06581 Rev. 5/5/2006
©2005 Code 3, Inc.