

Z3 Siren Hardware Configuration

The Z3 Siren Control Head is designed to mount directly into the console of most leading manufacturers (see Figure 1). It can also be mounted using the supplied hardware (see Figure 2). Connect the microphone as shown (see Figure 3).



Figure 1

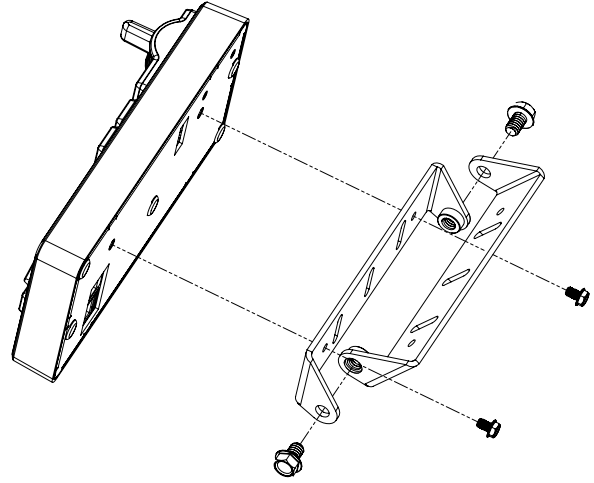


Figure 2

The Z3 Amplifier is mounted with four screws (not supplied). Mount the Z3 Amplifier so that connectors and wiring are easy to access (see Figure 4).

NOTE: All Z3 equipment should be mounted in locations that are safe from moisture and do not interfere with the vehicle occupants. All wiring should be routed so that it cannot be damaged by sharp edges or moving parts. **When choosing the mounting location, the deployment area for the air bag and other factors which might impact the safety of the vehicle occupants must be the first priority.**

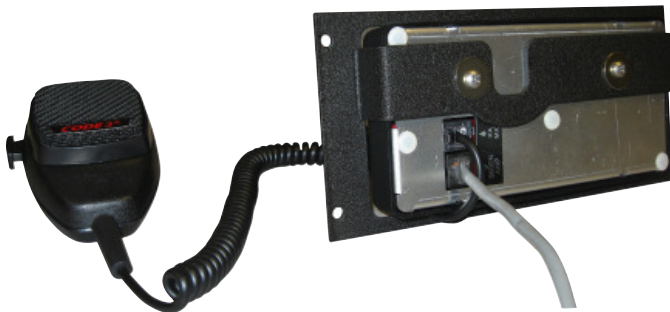


Figure 3

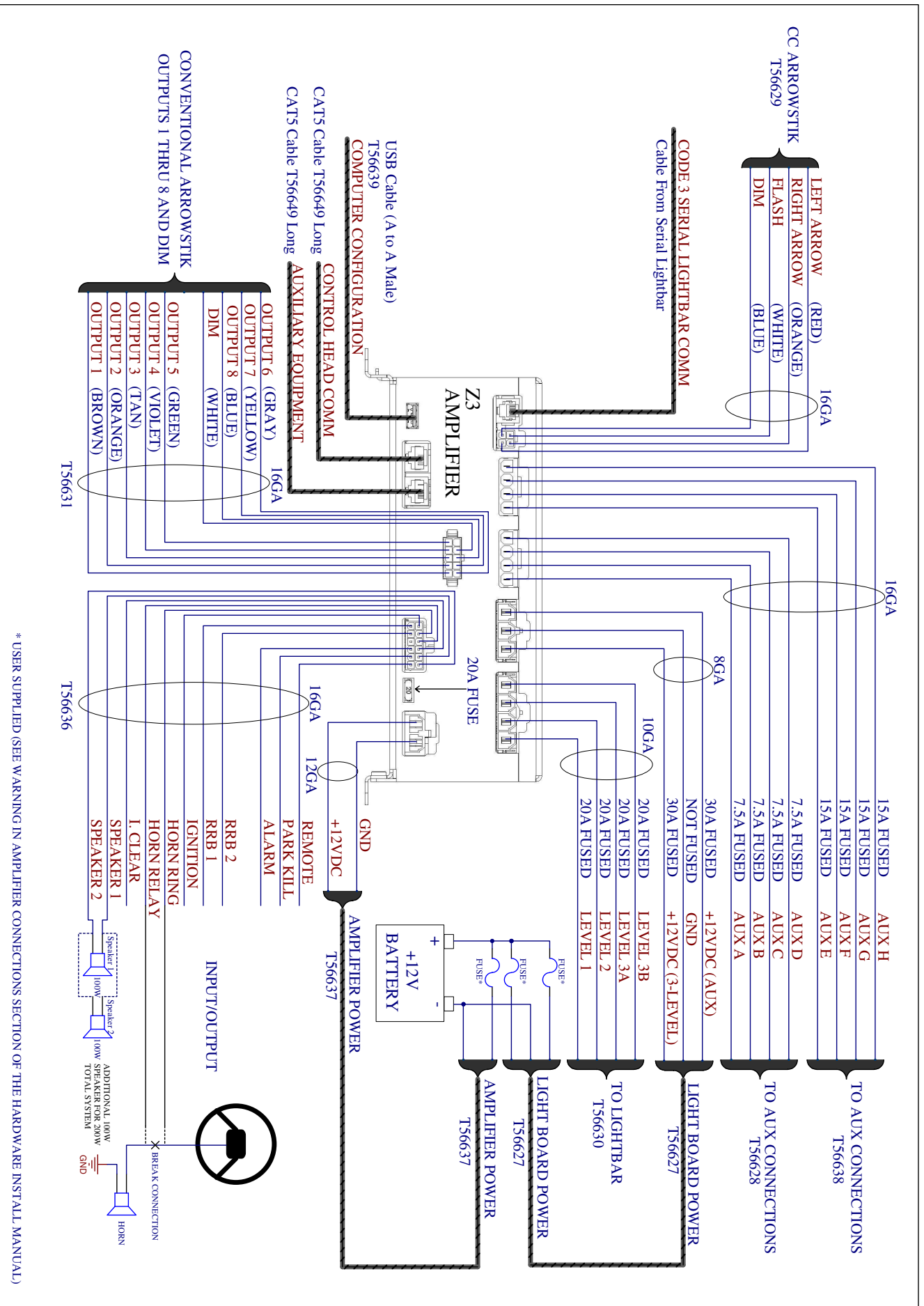


Figure 4

1. Attach the CAT5 cable (T56649) to the back of the Control Head and to the CONT HEAD port.
2. Attach the Input/Output harness (T56636) to the CONTROL INPUT/OUTPUT connector.
3. If a conventional ArrowStik is to be used, then connect the Conventional ArrowStik harness (T56631) to the EXTERNAL ASTK connector.
4. Attach the 3-Level cable (T56630) to the L1, L2, L3A, L3B connector.
5. If a Centrally Controlled (CC) ArrowStik is being used, then connect the CC ArrowStik harness (T56629) to the CC ASTK connector.
6. Attached the AUX A - D harness (T56628) to the A, B, C, D connector.
7. Attached the AUX E - H harness (T56638) to the E, F, G, H connector.
8. Attach the two power harnesses (T56627 & T56637) to the proper power connectors.

See the wiring diagram for details of each harness.

Connect each harness to the equipment to be controlled using proper crimping techniques and adequate wire gauges (see Installation & Operation Manual for details).



Z Siren Wiring Diagram