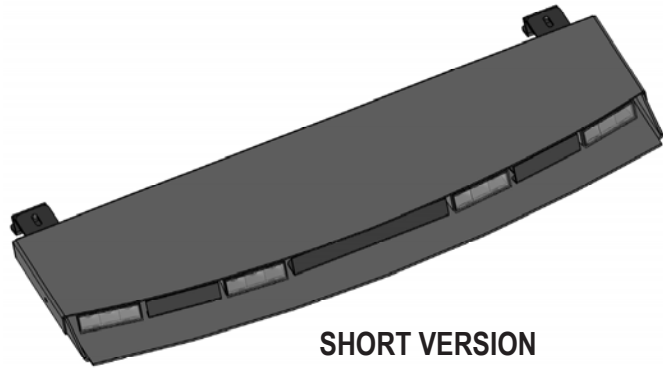
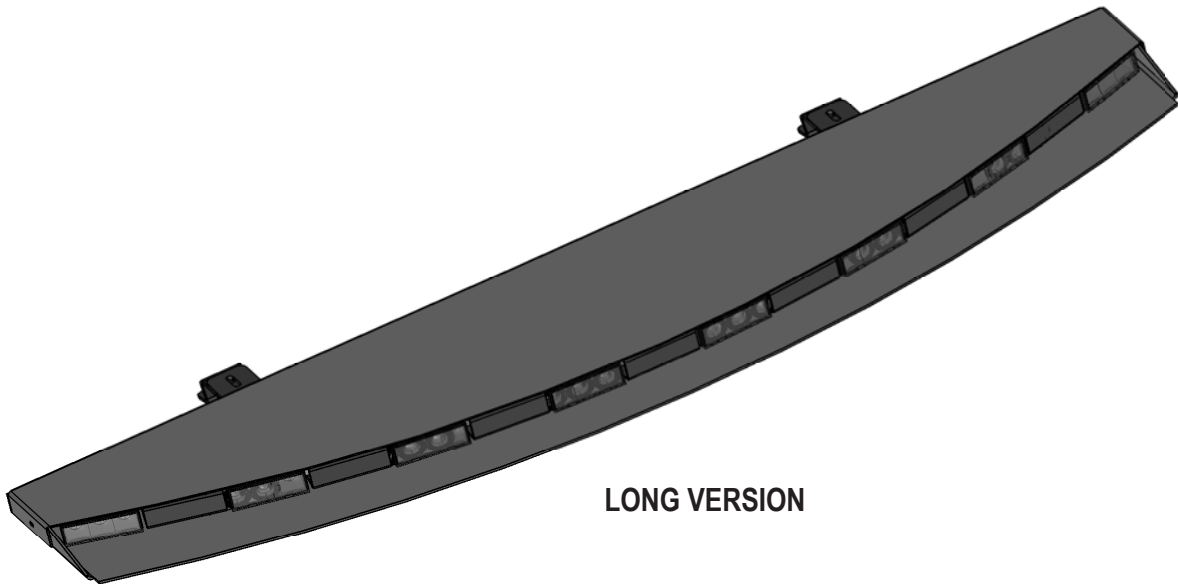


# INSTALLATION & OPERATION MANUAL

WingMan™



SHORT VERSION



LONG VERSION



## WingMan™ with TriCore® or Torus™ Technology

U.S. Patent Nos. 7,153,015 and 7,300,175, Other Patents Pending

Interior Lighting System

2011 DODGE CHARGER

REAR DECK LIGHT BAR

### CONTENTS:

Introduction.....	2
Unpacking & Pre-Installation.....	2
Installation & Mounting.....	3-4
Wiring Diagram - Instructions.....	4-5
Flash Pattern Selection.....	6
Troubleshooting - Exploded View & Parts List.....	7
Warranty.....	8

For future reference record your product's serial no. here \_\_\_\_\_

**IMPORTANT:**

*Read all instructions and warnings before installing and using.*

**INSTALLER:**

*This manual must be delivered to the end user of this equipment.*

# Introduction

The WingMan™ with TriCore® or Torus™ Technology is an interior lighting system that fits in the rear deck area behind the rear seat. The WingMan has room for up to eight TriCore or Torus™ light heads.

## Product Features

TriCore or Torus™ light head options: Red, Blue, Amber, and White-----Flashing or Steady Burn Control  
Size: 42.50" long x 2.00" tall x 9.187" deep-----Weight: 7.5 lbs

The use of this or any warning device does not ensure that all drivers can or will observe or react to an emergency warning signal. Never take the right-of-way for granted. It is your responsibility to be sure you can proceed safely before entering an intersection, driving against traffic, responding at a high rate of speed, or walking on or around traffic lanes. The effectiveness of this warning device is highly dependent upon correct mounting and wiring. Read and follow the manufacturer's instructions before installing or using this device. The vehicle operator should insure daily that all features of the device operate correctly. In use, the vehicle operator should insure the projection of the warning signal is not blocked by vehicle components (i.e.: open trunks or compartment doors), people, vehicles, or other obstructions. This equipment is intended for use by authorized personnel only. It is the user's responsibility to understand and obey all laws regarding emergency warning devices. The user should check all applicable city, state and federal laws and regulations. Code 3, Inc., assumes no liability for any loss resulting from the use of this warning device. Proper installation is vital to the performance of this warning device and the safe operation of the emergency vehicle. It is important to recognize that the operator of the emergency vehicle is under psychological and physiological stress caused by the emergency situation. The warning device should be installed in such a manner as to: A) Not reduce the output performance of the system, B) Place the controls within convenient reach of the operator so that he can operate the system without losing eye contact with the roadway. Emergency warning devices often require high electrical voltages and/or currents. Properly protect and use caution around live electrical connections. Grounding or shorting of electrical connections can cause high current arcing, which can cause personal injury and/or severe vehicle damage, including fire. Any electronic device may create or be affected by electromagnetic interference. After installation of any electronic device operate all equipment simultaneously to insure that operation is free of interference. Never power emergency warning equipment from the same circuit or share the same grounding circuit with radio communication equipment. All devices should be mounted in accordance with the manufacturer's instructions and securely fastened to vehicle elements of sufficient strength to withstand the forces applied to the device. Driver and/or passenger air bags (SRS) will affect the way equipment should be mounted. This device should be mounted by permanent installation and within the zones specified by the vehicle manufacturer, if any. Any device mounted in the deployment area of an air bag will damage or reduce the effectiveness of the air bag and may damage or dislodge the device. Installer must be sure that this device, its mounting hardware and electrical supply wiring does not interfere with the air bag or the SRS wiring or sensors. Mounting the unit inside the vehicle by a method other than permanent installation is not recommended as unit may become dislodged during swerving, sudden braking or collision. Failure to follow instructions can result in personal injury. **PROPER INSTALLATION COMBINED WITH OPERATOR TRAINING IN THE PROPER USE OF EMERGENCY WARNING DEVICES IS ESSENTIAL TO INSURE THE SAFETY OF EMERGENCY PERSONNEL AND THE PUBLIC.**



## Unpacking & Pre-installation

Carefully remove the WingMan and place it on a flat surface, taking care not to scratch the lenses or damage the cable coming out of the top. Examine the unit for transit damage, broken lamps, etc. Report any damage to the carrier and keep the shipping carton.

Standard light bars are built to operate on 12 volt D.C. negative ground (earth) vehicles. If you have an electrical system other than 12 volt D.C. negative ground (earth), and have not ordered a specially wired light bar, contact the factory for instructions.

Test the unit before installation. To test, touch the black wire to the ground (earth) and the other wires to +12 volts D.C., in accordance with the instructions attached to the cable (an automotive battery is preferable for this test). A battery charger may be used, but note that some electronic options may not operate normally when powered by a battery charger. If problems occur at this point, contact the factory.

**Note: Before beginning the installation process, be absolutely certain that the Light Bar functions as desired (See page 6 for options)!**

**WARNING!**



Utilizing non-factory supplied screws and/or mounting brackets and/or the improper number of screws may result in loss of warranty coverage on the equipment.

## Mounting Hardware

- All mounting hardware is included. There are two brackets and two mounting plates used to mount the WingMan™ to the vehicle. These are discussed in detail later.

# Installation Instructions

**Step 1** Lying inside the trunk of the vehicle facing up, look up at the inner roof of the trunk. Locate and remove the (6) Christmas Tree Fasteners (see Figures 1 & 2) which hold the fiber upper trunk liner in place. Remove the fiber trunk liner and set it aside (see Figure 3).



**FIGURE 1**



**FIGURE 2**



**FIGURE 3**

**Step 2** Position the WingMan in the rear package tray area (see Figure 4) to determine the desired routing of the cable into the trunk or where ever the final location of the cable is to be. **Note: The best and safest cable routing is to drill a clearance hole for the cable directly through the sheet metal and the interior fabric of the package tray area from inside the trunk of the vehicle directly in line with the cable exit of the WingMan. This keeps the cable out of a passengers reach Note: Move the WingMan out of the way temporarily and make sure any OEM wiring is out of the way so you don't damage the WingMan or the wiring when drilling the cable clearance hole! Route the cable through the hole, pull the slack out of the cable, and reposition the WingMan before going to the next step.**

**Step 3** Remove the (2) outer plastic child restraint covers (see Figure 5). **Note: If it is desired to retain the child restraint covers they will need to be trimmed to clear the WingMan's Mounting Brackets after it is installed, other wise discard them.**

**Step 4** Position the Pemserted WingMan Mounting Brackets in the rear area of the child restraint pockets and line up the threaded hole in the WingMan Mounting Bracket with the existing holes in the Dodge Charger's Sheetmetal (see Figure 6). **Note: One of the tabs on the Mounting Bracket is shorter than the other. The tab that is the shorter of the two goes into the child restraint pocket. If you have the bracket in backwards the mounting hole will not line up with the existing hole in the vehicle's sheet metal.**



**FIGURE 4**



**FIGURE 5**

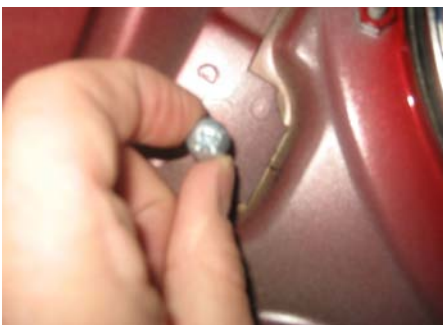


**FIGURE 6**

**Step 5** From inside the trunk of the vehicle, slip a supplied 1/4" internal tooth lock washer onto a supplied 1/4"-20 X 5/8" Phillips Pan Head Machine Screw and thread the screw through the existing mounting holes in the child restraint area and into the WingMan's Pemserted Mounting Bracket (see Figure 7). Repeat this step for both sides of the car. **Note: It is helpful to have an assistant hold the WingMan's Mounting Bracket to prevent movement while you are threading the screws in.**

**Step 6** Slip a supplied 1/4" internal tooth lock washer onto a supplied Black Zinc Plated 1/4"-20 X 1/2" Phillips Pan Head Machine Screw, Position the slotted WingMan Mounting Bracket, and thread the screw through the slot in the slotted WingMan Mounting Bracket and into the previously installed Pemserted WingMan Mounting Bracket (see Figure 8). Repeat this step for both sides of the car.

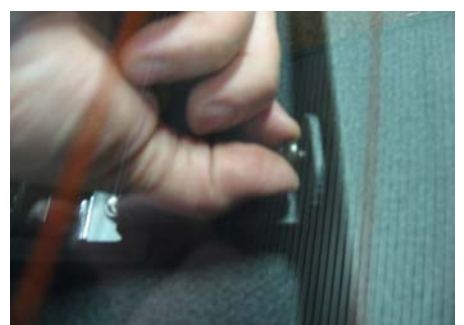
**Step 7** Slip a supplied 1/4" internal tooth lock washer onto a supplied Black Zinc Plated 1/4"-20 X 1/2" Phillips Pan Head Machine Screw and thread the screw into the WingMan's outer Panel (see Figure 9). Repeat this step for both sides of the car.



**FIGURE 7**



**FIGURE 8**



**FIGURE 9**

## Installation Instructions-Cont.

**Step 8** From inside the trunk tighten the (2) 1/4"-20 X 5/8" Phillips Pan Head Screws (see Figure 10).

**Step 9** Back inside the rear passenger area of the vehicle push the WingMan back tight against the rear window and tighten the (2) 1/4"-20 X 1/2" Black Zinc Plated Phillips Pan Head Screws that fasten the WingMan Mounting Brackets together (see Figure 11).

**Step10** Tighten the (2) 1/4"-20 X 1/2" Black Zinc Plated Phillips Pan Head Screws that fasten the WingMan Mounting Brackets to the WingMan (see Figure 12).

**Step11** Reposition the vehicle's fabric upper trunk liner and replace the Christmas Tree Fasteners.

**Note:** If the Gasket has wavy areas where it contacts the rear window you can press down firmly all along the rear contour on top of the WingMan as far back as you can reach to allow the gasket to pop back into shape.

**Note:** As stated in Step-3 if it is desired that you retain the plastic child restraint covers you will have to trim the covers to clear the WingMan's Mounting Brackets before re installing the covers.



FIGURE 10



FIGURE 11



FIGURE 12

The bracket fasteners shown in Figure 12 make excellent hard mounting points for radar guns, video cameras, etc.

**Caution:** Drilling into the housing of the light bar could damage wiring or other internal components.

## Wiring Instructions

It is advisable to leave an extra loop of cable when installing the light bar to allow for future changes or reinstallations.

Connect the black lead to a solid frame ground (earth), preferably the (-) or ground (earth) side of the battery, and the power wire to the +12V terminal of the battery. Connect the remaining wires as shown on page 5.

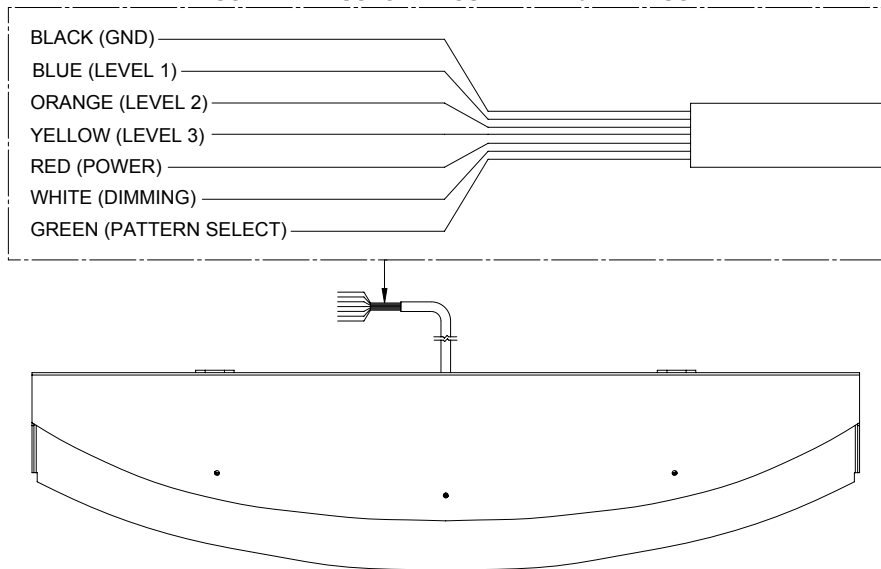




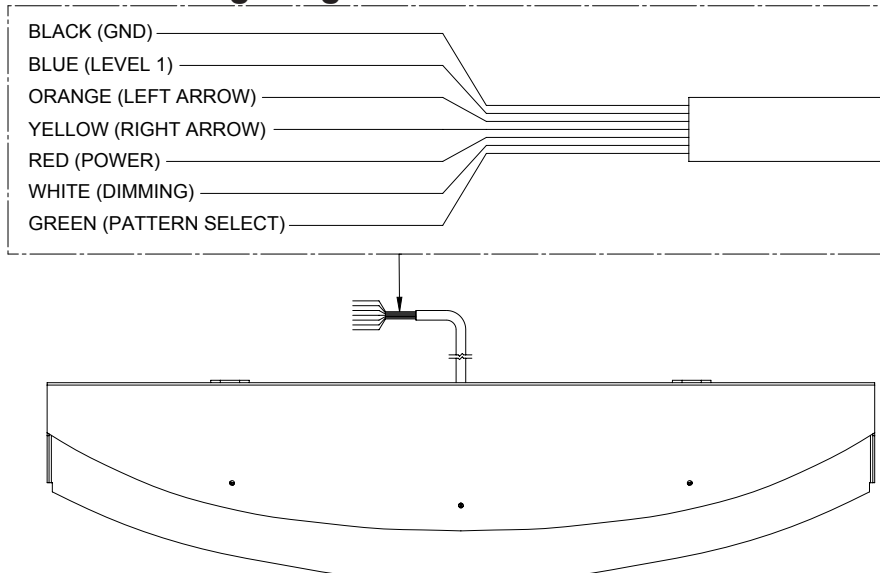
Larger wires and tight connections will provide longer service life for components. For high current wires it is highly recommended that terminal blocks or soldered connections be used with shrink tubing to protect the connections. Do not use insulation displacement connectors (e.g. 3M® Scotchlock type connectors). Route wiring using grommets and sealant when passing through compartment walls. Minimize the number of splices to reduce voltage drop. High ambient temperatures (e.g. under hood) will significantly reduce the current carrying capacity of wires, fuses, and circuit breakers. Use "SXL" type wire in engine compartment. All wiring should conform to the minimum wire size and other recommendations of the manufacturer and be protected from moving parts and hot surfaces. Looms, grommets, cable ties, and similar installation hardware should be used to anchor and protect all wiring. Fuses or circuit breakers should be located as close to the power takeoff points as possible and properly sized to protect the wiring and devices. Particular attention should be paid to the location and method of making electrical connections and splices to protect these points from corrosion and loss of conductivity. Ground terminations should only be made to substantial chassis components, preferably directly to the vehicle battery. The user should install a fuse sized to approximately 125% of the maximum Amp capacity in the supply line to protect against short circuits. For example, a 30 Amp fuse should carry a maximum of 24 Amps. **DO NOT USE 1/4" DIAMETER GLASS FUSES AS THEY ARE NOT SUITABLE FOR CONTINUOUS DUTY IN SIZES ABOVE 15 AMPS.** Circuit breakers are very sensitive to high temperatures and will "false trip" when mounted in hot environments or operated close to their capacity.

## Wiring Diagram - STANDARD

FUSE WITH CUSTOMER SUPPLIED 10 AMP FUSE



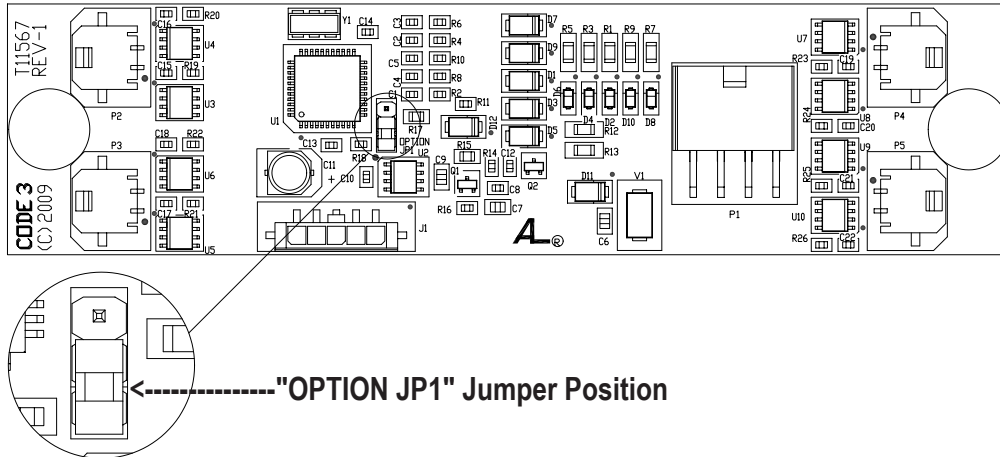
## Wiring Diagram - WITH ARROWSTIK®




# 6 HEAD ARROWSTIK® W (2) OUTER LIGHT HDS FLASHING ALTERNATELY

The WingMan™ can be configured as a 6 or 8 head ArrowStik. To change the WingMan from an 8 head ArrowStik to a 6 Light Head configuration with the (2) Outboard Light Heads flashing alternately, remove the mounting screws that attach the WingMan's Cover to the Outer Panel to gain access to the printed circuit board inside (see the exploded view on page 7). Move the Shunt Option Jumper (JP1) on the printed circuit board to the "OPTION JP1" position as shown below. When configured for a 6 head operation the (2) Outboard Light Heads will alternate during any ArrowStik mode. Carefully replace the WingMan's Cover over the Outer Panel and replace the Cover Mounting Screws.

**Note: Be extremely careful to replace the wiring such that you don't pinch a wire when you replace the WingMan's Cover. Test the unit to be sure that it works properly.**



## Flash Pattern Changes

**WARNING!**  This Product contains high intensity TriCore® or Torus devices. To prevent eye damage, DO NOT stare into light beam at close range.

### TriCore® or Torus™ Light Head Flash Pattern

To change the flash patterns of the TriCore® or Torus™ Light Heads for either Standard or ArrowStik® patterns, activate the Light Bar in Level 1 or any ArrowStik mode and then momentarily touch the Green (Pattern Select) wire to +power. Repeating this procedure allows the operator to cycle through the numerous flash patterns offered until the desired pattern is achieved. Repeat for all modes as needed.

**Note:** Each ArrowStik mode must be set individually.

To reset the flash patterns to the factory default, activate the Light Bar in Level 1 or any ArrowStik mode and then hold the Green (Pattern Select) wire to +power for approximately 4 seconds.

- Note:**
- 1-Resetting the Standard patterns will reset only the Level 1 flash patterns
  - 2-Resetting the ArrowStik patterns in any ArrowStik mode will reset all ArrowStik flash patterns.

### Flash Patterns

STANDARD LIGHT HEAD FLASH PATTERNS		ARROWSTIK FLASH PATTERNS	
PATTERN NO	PATTERN DESCRIPTION	PATTERN NUMBER	PATTERN DESCRIPTION
1	FAST ALTERNATING QUAD FLASH 100ms/25ms	1	Building, Fast Speed
2	PICKET FENCE SINGLE FLASH 200ms/25ms	2	Building, Medium Speed
3	ALTERNATING SINGLE FLASH 200ms/25ms	3	Building, Slow Speed
4	PICKET FENCE QUAD FLASH 100ms/25ms	4	Building, 3 Flash, Fast Speed
5	PICKET FENCE SIX FLASH 75ms/25ms	5	Building, 3 Flash, Medium Speed
6	SLOW ALTERNATING QUAD FLASH 150ms/50ms	6	Building, 3 Flash, Slow Speed
7	SLOW ALTERNATING SIX FLASH 125ms/25ms	7	Traveling Ball, 3 Flash, Fast Speed
8	FAST ALTERNATING SIX FLASH 75ms/25ms	8	Traveling Ball, 3 Flash, Medium Speed
9	VARIABLE RATE PICKET FENCE, SINGLE FLASH	9	Traveling Ball, 3 Flash, Slow Speed
10	ALTERNATING QUAD FLASH, 80 FPM, NFPA COMPLIANT	10	Build/Collapse, Fast Speed
11	CYCLE FLASH	11	Build/Collapse, Medium Speed
12	SIMULTANEOUS QUAD FLASH, 75 FPM, NFPA COMPLIANT	12	Build/Collapse, Slow Speed

# Troubleshooting

All WingMan™ Products are thoroughly tested prior to shipment. However, should you encounter a problem during installation or during the life of the product, follow the guide below for information on repair and troubleshooting. Additional information may be obtained from the factory technical help line at 314-996-2800.

Follow the guide below for information on repair and troubleshooting.

## TROUBLESHOOTING GUIDE

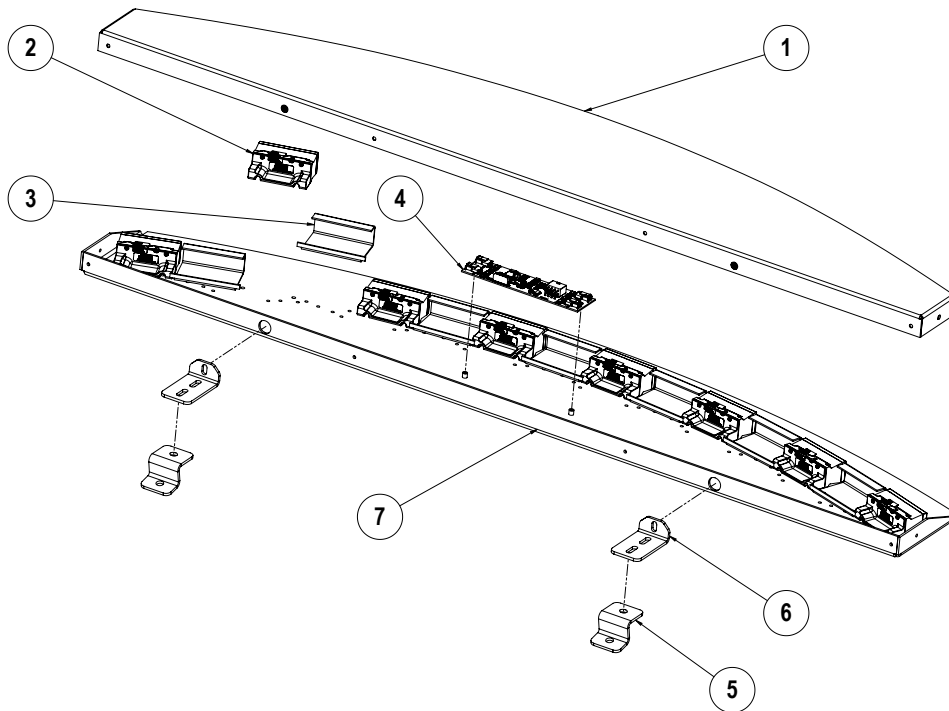
**Note:** TriCore® or Torus™ Modules must be replaced as a module. There are no user serviceable parts.

PROBLEM	QUESTIONS	POSSIBLE CAUSE	SOLUTION
TriCore or Torus™ Module not operating when powered.	N/A	a. Bad power/ground connection. b. Defective module.	a. Fix connection. b. Replace module



Any disassembly of any of the TriCore light heads will result in loss of warranty coverage on the equipment.

## Parts List



Reference Number	Part Description	Part Number
1	Outer Panel-Long	T15301
2	Tri-Core® or Torus™ Module	*Contact Code 3, Inc for P/N
3	2.75" Blank Bracket	T56353
4	Circuit Board Assembly	T11568
5	Mounting Brkt.- Pemserted	T15329
6	Mounting Brkt.- Slotted	T15330
7	Chassis-Long	T15303

# WARRANTY

This product with TriCore® or Torus™ Technology was tested and found to be operational at the time of manufacture. Provided this product is installed and operated in accordance with the manufacturer's recommendations, Code 3®, Inc. warrants all parts and components (with the exception of all incandescent and halogen bulbs) of the product to be free of defects in material and workmanship for a period of one (1) year and TriCore or Torus™ light heads for a period of five (5) years from the date of purchase. This Warranty excludes normal wear & tear. Units demonstrated to be defective within the warranty period will be repaired or replaced at the factory service center at no cost. Code 3, Inc. will return the repaired product with transportation cost prepaid. Code 3, Inc. assumes no liability for expenses incurred in the packaging, handling, and shipping of the product to the Factory Technical Service Department for repair. For in-warranty product return authorization, questions regarding product warranty coverage or questions regarding out-of-warranty repair quotes, contact the Factory Technical Service Department.

The TriCore light heads are sealed as part of the quality control process. This Warranty is void if, in the judgment of Code 3, Inc. (1) an attempt has been made to break the light head seal or repair the light head, and/or (2) the product has been used with inappropriate or inadequate wiring or circuit protection, and/or (3) the product has failed as a result of abuse or unusual use and/or accidents.

**CODE 3, INC. SHALL IN NO WAY BE LIABLE FOR ANY OTHER DAMAGES RELATING TO THE PRODUCT INCLUDING BUT NOT LIMITED TO CONSEQUENTIAL, INCIDENTAL, INDIRECT OR SPECIAL DAMAGES OR LOST PROFITS OR REVENUE; NOR ANY EXPENSES INCURRED IN THE REMOVAL AND/OR RE-INSTALLATION OF PRODUCTS REQUIRING SERVICE AND/OR REPAIR.**

**EXCEPT AS SET FORTH ABOVE, CODE 3, INC. MAKES NO OTHER EXPRESS OR IMPLIED WARRANTIES WHATSOEVER, INCLUDING, WITHOUT LIMITATION, WARRANTIES OF FITNESS FOR A PARTICULAR PURPOSE OR MERCHANTABILITY, WITH RESPECT TO THIS PRODUCT.**

**NEED HELP? Call our Technical Assistance HOT LINE - (314) 996-2800**

# PRODUCT RETURNS

If a product must be returned for repair or replacement\*, please contact our factory to obtain a Return Goods Authorization Number (RGA number) before you ship the product to Code 3, Inc. Write the RGA number clearly on the package near the mailing label. Be sure you use sufficient packing materials to avoid damage to the product being returned while in transit.

\*Code 3, Inc. reserves the right to repair or replace at its discretion. Code 3, Inc. assumes no responsibility or liability for expenses incurred for the removal and /or reinstallation of products requiring service and/or repair.; nor for the packaging, handling, and shipping; nor for the handling of products returned to sender after the service has been rendered.

**CODE 3**<sup>®</sup>  
A PUBLIC SAFETY EQUIPMENT COMPANY

Code 3®, Inc.  
10986 N. Warson Road  
St. Louis, Missouri 63114-2029—USA  
Ph. (314) 426-2700 Fax (314) 426-1337  
[www.code3pse.com](http://www.code3pse.com)