



# RMX

## LED Dual Level Lightbar

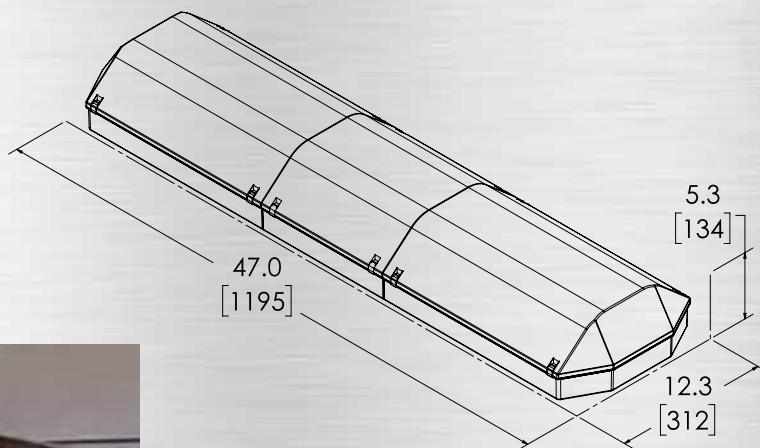
The RMX utilizes advanced PriZm II™ dual reflector LED technology to provide a brighter signal for superior visibility, and safety. Two levels of lighting deliver unmatched light output and increased firefighter safety.

### DESIGN FEATURES

- One touch setting/changing of flash patterns (default is NFPA QuadFlash 75)
- LED dimming feature
- Small gauge multi-conductor cable provides easy installation
- Lenses available in red, blue, amber or clear
- 12 LED and 8 LED PriZm II lighthoods in front and rear position

### OPTIONS

- 795H Opticom LP or N-3 Emitter
- Lighted LIT3 mounting kit





### SPECIFICATIONS

- 18" (457 mm), 58" (1473 mm), 69" (1753 mm), 80" (2032 mm)
- 12.2" W x 5.3" H (310 x 135 mm)
- 12VDC
- Meets all applicable SAE, NFPA, and California Title 13 specifications when properly configured
- 5-year warranty on the LED modules



Single Color LEDs

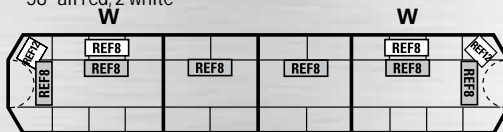
### RMX NFPA LIGHTBAR CONFIGURATIONS

PROD. NO.

LENGTH

RMX58NFPA1W

58" all red, 2 white

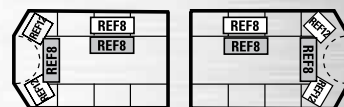


PROD. NO.

LENGTH

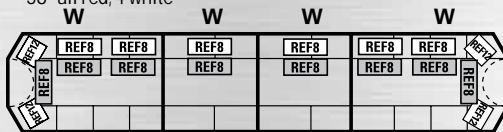
RMX18NFPA1

18" (pair) all red



RMX58NFPA2W

58" all red, 4 white



UPPER DECK	RMX LIGHTBAR	LOWER DECK
REF8	REF8 PRIZM™ II MODULE	REF8
REF12	REF12 PRIZM™ II MODULE	REF12
		REF8
		REF12

RMX69NFPA1W

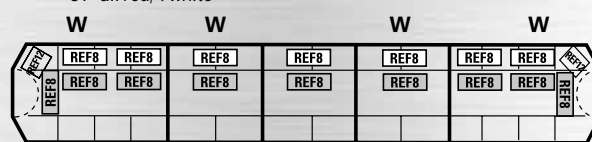
69" all red, 2 white



NFPA Models are all RED LED modules, unless otherwise noted. Specify if different when ordering. MX kit metal mounting kit included with lightbars 36" or greater. If desired, you may specify NOKIT, PermX Kit, or Lit3Kit in its place.

RMX69NFPA2W

69" all red, 4 white



RMX80NFPA1W

80" all red, 2 white



RMX80NFPA2W

80" all red, 4 white

