



XP9501

## XP 9501 PriZm™ LED

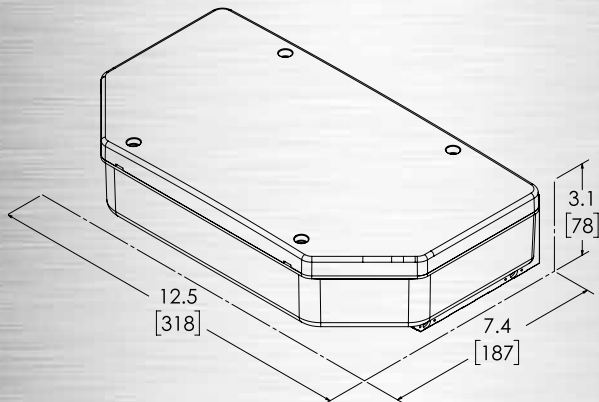
The power of an LED lightbar, the versatility of a beacon.



### DESIGN FEATURES

- Designed for upper zone C applications when ordered as 9501NFPA1 (use as a pair)
- (4) 3 LED PriZm II lighthead per mini bar
- 8 LED (9501) or 12 LED (95012) PriZm II lighthead (front) per mini bar

- Set to NFPA quad flash
- Clear lens
- Permanent mount only, mounting feet are less than 1.5" tall (38 mm)
- Standard 15' cable assembly



### SPECIFICATIONS

- 12.5" L x 3.1" H x 7.4" D (318 x 78 x 187 mm) (total height: 4.2" with mounting feet) (107mm)
- 12VDC
- 0.12 average amp draw for red or amber REF3
- 0.25 average amp draw for red or amber REF8
- 0.5 average amp draw for red or amber REF12
- Meets all applicable SAE and California Title 13 specifications when properly configured
- 5-year warranty



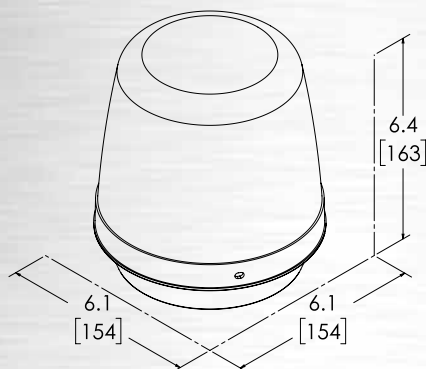
550SR

## 550 Halogen Beacon

### DESIGN FEATURES

- Open parabolic design reflector
- Red, blue, amber, clear, and green lenses
- Standard or fast speed flashes per minute (FPM)

- 50 watt, 55 watt or 70 watt halogen lamp
- Permanent or magnetic mount
- Pipe mount kit available in 0.05", 0.75" or 1.00" (13, 19, 25 mm)



### SPECIFICATIONS

- 6" H x 6" D (152 x 152 mm)
- 12VDC and 24VDC option available
- SAE J845, Class I and California Title 13

