

Remote Lighted Siren

Small efficient control head



3998R



3997R

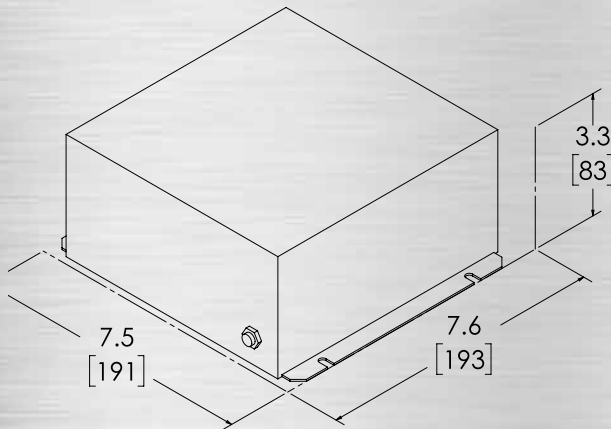
DESIGN FEATURES

- Instant On
- Wail, Yelp, HyperYelp, Hi-Lo and Hyper-Lo tones
- Manual Wail with Hold feature
- Air Horn
- Selectable Hit & Go or Horn Ring scroll modes
- Output short circuit protection
- Horn Ring transfer
- Noise cancelling microphone with 20 foot cable
- InterClear
- Light Alert
- Siren Lock
- Park Kill

- Timed output
- Rotary switch
- Banshee siren amp compatible for additional features

OPTIONS

- ArrowStik® control
- Modular expansion unit
- NightProbe® control module
- Auxiliary relay module
- Current boost module
- Serial interface
- Disable Hi-Lo



SPECIFICATIONS

- Amplifier - 7.5" L x 7.5" W x 3.25" H (191 x 190 x 83 mm)
- Control unit - 7" L x 3.5" H x 1.5" D (178 x 89 x 38 mm)
- 12/24VDC
- Meets SAE J1849, and California Title 13 when properly configured

Remote Lighted Siren

BASE MODELS FEATURES	3997R	3998R	3997RCC
Basic Siren	x	x	x
200w Output	x	x	x
Rotary Switch (R)	x	x	x
ArrowStik® Control	x		x
CC ArrowStik® Control*			x

*for central controller lightbars