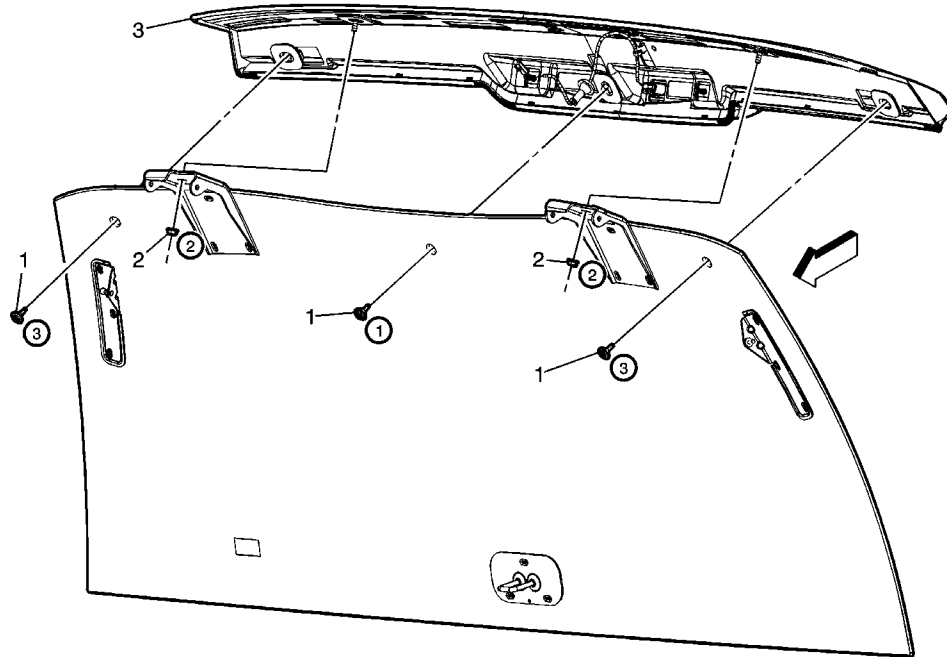


Citadel

Installation Procedure

Tools Needed

- 10mm socket
- T25 Torx
- Torque Wrench



Raise rear glass and locate the fasteners attaching the rear spoiler to the glass (Qty:5)

Remove Torx fasteners (Qty:3) followed by 10mm nuts (Qty:2)

Raise spoiler away from the vehicle to expose the electrical connector and disconnect

Remove spoiler from vehicle and lay part on a protected surface to prevent scratches

Remove 10 mm nuts from brake light assembly

Position Right/Left Citadel assembly over brake light fasteners

Reinstall 10 mm nuts from brake light assembly

Route Citadel wiring along with existing wiring from brake light assembly
(Note wires in shrink tube should be positioned under spoiler)

Place spoiler on vehicle

Make necessary electrical connections

(Black goes to ground; red to your switched power source and or option, Yellow is used for synchronization and is **NOT** used in the setting of flash patterns. Blue wire is used for setting different flash patterns, use chart below for setting flash patterns.

Position the center screw to the spoiler first, followed by the hinge nuts second.
Install the outer screws last and torque the screws in the same sequence

Torque screws to 18 lb in
Torque nuts to 80 lb in

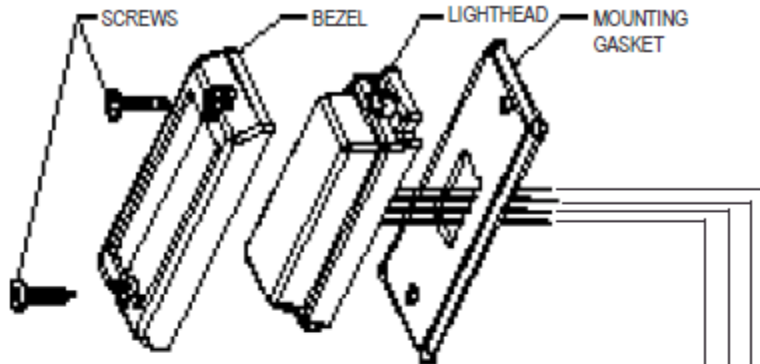
XT4

FLASH PATTERNS:

- PA1- single alert alternating
- PA2- single alert simultaneous phase1
- PA3- single alert simultaneous phase2
- PA4- fast flash alternating
- PA5- fast flash simultaneous phase1
- PA6- fast flash simultaneous phase2
- PA7-single flash75 alternating
- PA8-single flash75 simultaneous phase1
- PA9-single flash75 simultaneous phase2
- PA10- single flash375 alternating
- PA11- single flash375 simultaneous phase1
- PA12-single flash375 simultaneous phase2
- PA13-action flash alternating
- PA14-action flash simultaneous
- PA15-modul flash alternating
- PA16-modul flash simultaneous
- PA17-action scan
- PA18- steady with 5 single and single POP
- PA19- steady – 5 single
- PA20- steady
- PA21- Cycle Flash(factory Default)- AUTORUN
- PA22- off-

To select Flash Pattern,
apply BLUE to BLACK wire:

- less than 1 second for next pattern
- more than 1 second for previous pattern
- more than 5 seconds to turn off



WIRING INSTRUCTIONS:

- To +VDC (fuse @ 2A) ----- RED
- To Chassis Ground ----- BLACK
- Flash Pattern Select (see list at right) ----- BLUE
- Connect YELLOW wires of all heads together for Synchronization ----- YELLOW

*When the Yellow wires of all heads are connected together, the Group1 heads will flash either in phase (P1) or 180 degrees out of phase (P2) based on the pattern selected. For example, if the XT3 lights in Group1 have pattern PA1, A1-Five Flash P1 selected and the Group2 heads have pattern PA2, A2-Five Flash P2 selected, the Group1 / Group2 heads will flash in a Five Flash Alternating (WIG/WAG) mode.

WARNING!



This Product contains high intensity LED devices. To prevent eye damage, DO NOT stare into light beam at close range.

WARRANTY

Code 3, Inc.'s emergency devices are tested and found to be operational at the time of manufacture. Provided they are installed and operated in accordance with manufacturer's recommendations, Code 3, Inc. guarantees all parts and components except the lamps to a period of 1 year, LED Lighthouse modules to a period of 5 years (unless otherwise expressed) from the date of purchase or delivery, whichever is later. Units demonstrated to be defective within the warranty period will be repaired or replaced at the factory service center at no cost.

Use of lamp or other electrical load of a wattage higher than installed or recommended by the factory, or use of inappropriate or inadequate wiring or circuit protection causes this warranty to become void. Failure or destruction of the product resulting from abuse or unusual use and/or accidents is not covered by this warranty. Code 3, Inc. shall in no way be liable for other damages including consequential, indirect or special damages whether loss is due to negligence or breach of warranty.

CODE 3, INC. MAKES NO OTHER EXPRESS OR IMPLIED WARRANTY INCLUDING, WITHOUT LIMITATION, WARRANTIES OF FITNESS OR MERCHANTABILITY, WITH RESPECT TO THIS PRODUCT.

PRODUCT RETURNS

If a product must be returned for repair or replacement*, please contact our factory to obtain a Return Goods Authorization Number (RGA number) before you ship the product to Code 3, Inc. Write the RGA number clearly on the package near the mailing label. Be sure you use sufficient packing materials to avoid damage to the product being returned while in transit.

*Code 3, Inc. reserves the right to repair or replace at its discretion. Code 3, Inc. assumes no responsibility or liability for expenses incurred for the removal and/or reinstallation of products requiring service and/or repair; nor for the packaging, handling, and shipping; nor for the handling of products returned to sender after the service has been rendered.