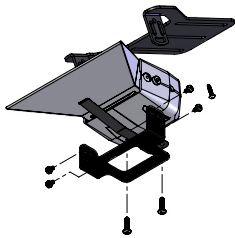
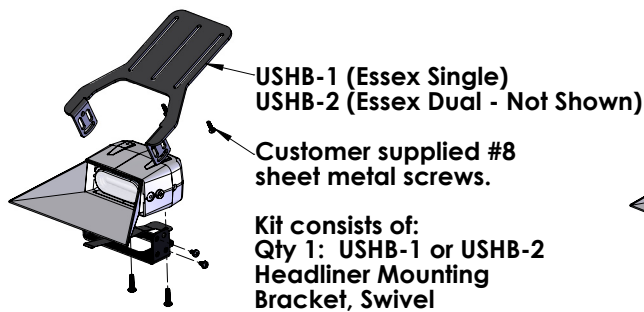


INSTALLATION

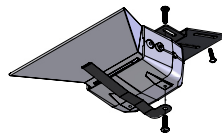
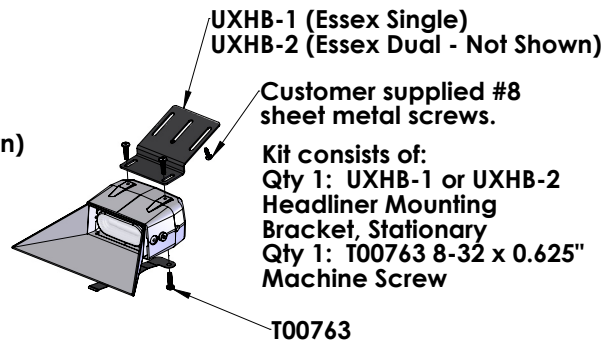
Essex™ & Intrepid™ Series Headliner Mounting Brackets

Reference Installation Manual Part Number T52233 for all applicable warnings.
 The manual was included with original purchase, or is available on-line at our web site (www.code3pse.com).

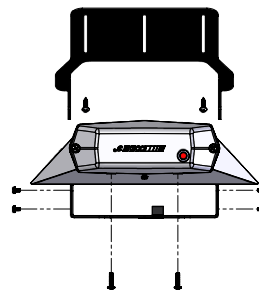
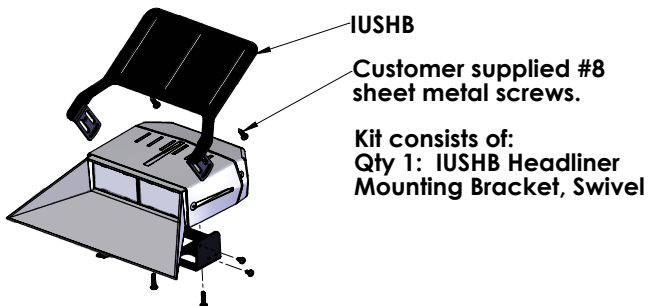
Installation - Essex Single Headliner Mounting Bracket, Swivel
 (Essex Dual not shown; however, installation is same)



Installation - Essex Single Headliner Mounting Bracket, Stationary
 (Essex Dual not shown; however, installation is same)



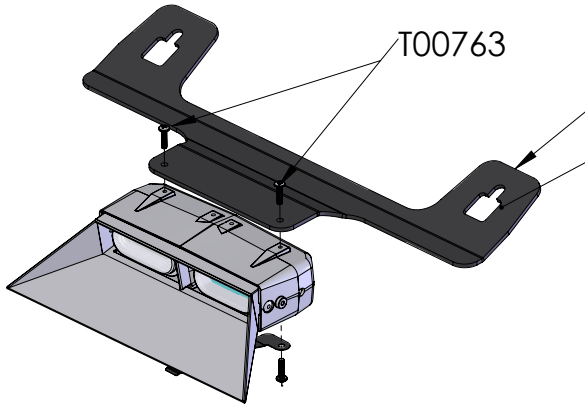
Installation - Intrepid Dual Headliner Mounting Bracket, Swivel



Hardware Assembly

All other parts shown were included with original purchase of light head assembly. The only part numbers shown are those that were provided with the purchase of the headliner bracket kit.

Installation - Essex Dual Light Head
Ford Crown Vic - 2006 thru 2011



S13963M

T00763

Installation to the vehicle will use the existing vehicle visor mounting hardware

Installation Steps:

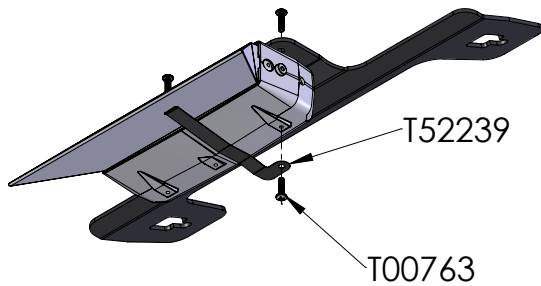
1. Assemble S13963M onto the top of dual light head using qty 2 PN T00763 8-32 x 0.625" Machine Screws.

2. Assemble T52239 Retention Strip onto the bottom of the dual light head using qty 1 PN T00763 8-32 x 0.625" Machine Screw.

3. Remove existing vehicle mounted visor fasteners and clips.

4. Place assembled light head against headliner and reinstall vehicle mount fasteners and clips through cut-out in S13963M bracket.

5. Secure.



T52239

T00763

**Problems or Questions? Call The Technical Assistance
HOTLINE - (314) 996-2800**

Code 3, Inc.
10986 N. Warson Road
St. Louis, Missouri 63114-2029—USA
Ph. (314) 426-2700 Fax (314) 426-1337
www.code3pse.com

Code 3, Inc., a subsidiary of
Public Safety Equipment, Inc.