

MINI LIGHTHEAD Manual

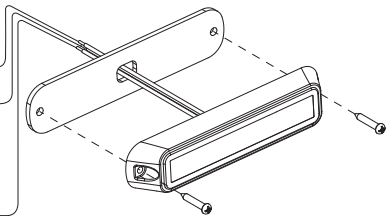
Surface Mount

To + VDC (fuse @ 3A):**RED**

To Chassis Ground:**BLACK**

For Synchronization:**YELLOW**

Connect **YELLOW** wires of all heads together for synchronization
(All heads must be set at the same pattern)



For Simultaneous or Alternating Flash:

1. Apply +VDC to **RED** and **YELLOW** wires simultaneously to enter Grouping mode; lighthouse will display short (single or double) flashes:
 - Single flash = Group1
 - Double flash = Group2
2. Remove **YELLOW** wire from +VDC and momentarily apply to +VDC to change Groups:
 - Heads in the same Group flash together.
 - Group1 Heads alternate with Group2 Heads.

For Flash Pattern, momentarily apply +VDC to **YELLOW** wire:

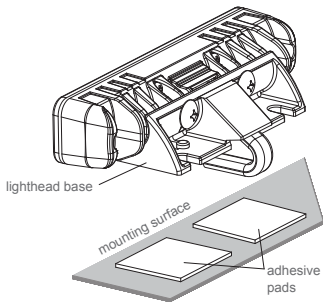
- once for next pattern
 - quickly three times for reset
- (see flash pattern chart)

Flash Patterns			
1	Single (2Hz)	13	Single H/L (split)
2	Double (2Hz)	14	Single (all)
3	Triple (2Hz)	15	Double (all)
4	Quad (2Hz)	16	Quad (all)
5	Random	17	Quint (all)
6	Single (split)	18	Mega (all)
7	Double (split)	19	Ultra (all)
8	Quad (split)	20	Single-Quad (all)
9	Quint (split)	21	Single H/L (all)
10	Mega (split)	22	Steady 2 (california)
11	Ultra (split)	23	Steady 4 (all)
12	Single-Quad (split)		

Adhesive Mount

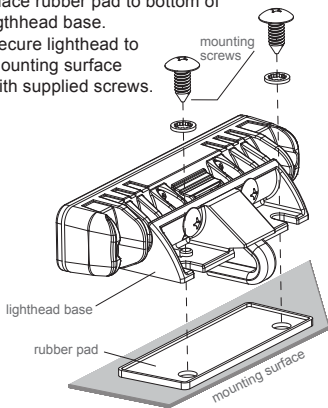
1. Clean mounting surface.
2. Use adhesive pads to secure lighthouse.

NOTE: Optimum adhesive strength is achieved after 24hrs.



Screw Mount

1. Mark and drill mounting holes.
2. Place rubber pad to bottom of lighthouse base.
3. Secure lighthouse to mounting surface with supplied screws.



Bracket Mount

1. Select mounting location.
2. Place rubber pad to bottom of lighthouse base.
3. Place lighthouse to the mounting surface.
4. Align top holes of bracket onto the lighthouse base alignment points.
5. Secure lighthouse with supplied screws from the bottom of bracket.

