

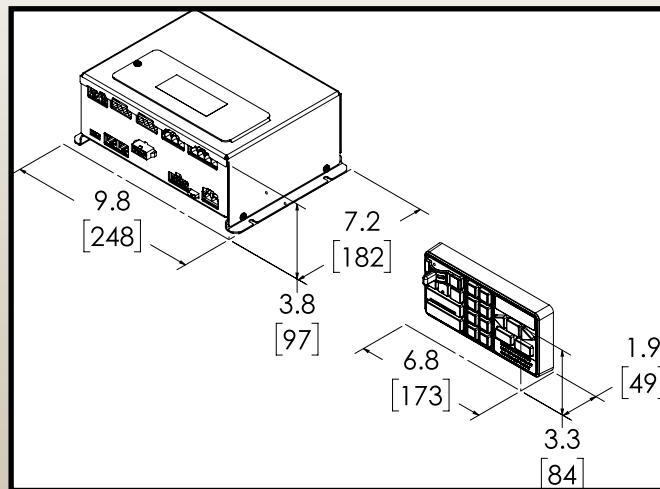
## World Class Siren - Easy to Operate Control Head



Z3



Z3 in center console on PI Utility



## Design Features/Options

- Easy to operate with 3 distinct zones: sirens & primary lighting (red), auxiliary lighting and other equipment (blue), and traffic or warning function (yellow).
- Different size and shape buttons are quickly found allowing you to operate all the light and siren functions without taking your eyes off the road. Buttons are also backlit and change color.
- Programmable 3 level slide switch with a programmable 4th position!
- 8 Programmable Auxiliary Buttons (2 can be programmed for positive or ground switching)
- 5 Programmable Siren Buttons (program different tones for each one)
- NarrowStik® can be programmed for different flash patterns and speeds, as well as the warning flash pattern itself.
- Z3 amplifier special serial port needs only a simple data cable to connect to the Defender and RX2700CC lightbars.
- Banshee Siren Amp compatible for additional features.

## Specifications

- Control Head: 6.80" L x 3.30" H x 1.07" D (Switch will increase depth dimension to 1.95" D)
- Amplifier: 9.750" L x 6.83" W x 3.94" H
- Light Control Current Load
- 3-Level Switch, 4 Outputs, 50 Amps Maximum Combined Total
- Auxiliary Switches A thru D: 5 Amps Maximum Each Aux
- Auxiliary Switches E thru H: 10 Amp Maximum Each Aux
- Total Siren Output Capacity: 200 Watts (can drive two 100 Watt speakers)
- Operating Voltage: 10-15 VDC (negative ground)
- Meets SAE J1849, California Title 13, Reg 10 compliant and 2004/104/EC when properly configured
- 5-Year Warranty

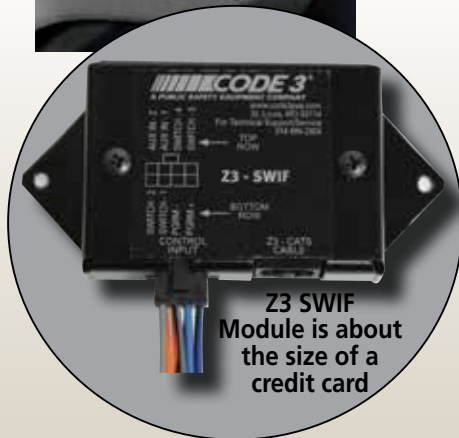
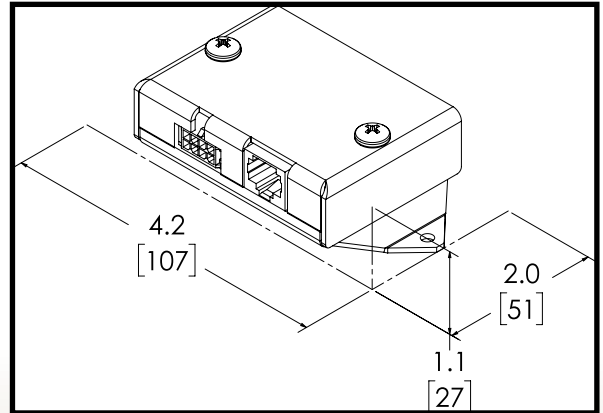
## Z3 SWIF



### 2014 + Ford PI Sedan and Utility Steering Wheel Interface (SWIF)

#### Features:

- The Ford Steering Wheel Remappable Switches are transformed into a Z3 Control Head allowing you to easily program each one of the (4) numbered switches, providing any lighting or siren functions that you need.
- Provides a true "Hands-Free" capability for lighting and siren functions on your Ford PI Sedan or Utility.
- Easily program multiple SWIFs through the Z3 control head for multiple vehicle installations in a matter of seconds!
- Small and Compact in Size – The SWIF can be installed virtually anywhere in the vehicle.
- The SWIF module also comes with (2) additional inputs that can be used for other remote switching capabilities.

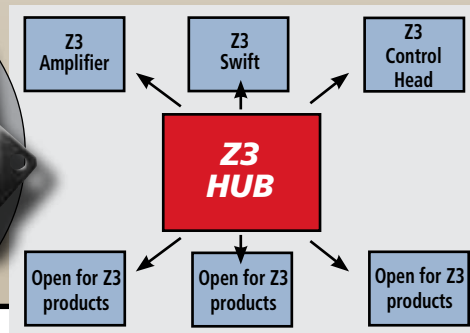


#### Specifications

- Designed for use only with the Z3 siren and the optional control buttons on the Ford PI Sedan (Option 47K) or Utility (Option 61S) Steering Wheel
- 4.25" L (with mounting plate) x 2" W x 0.75" D

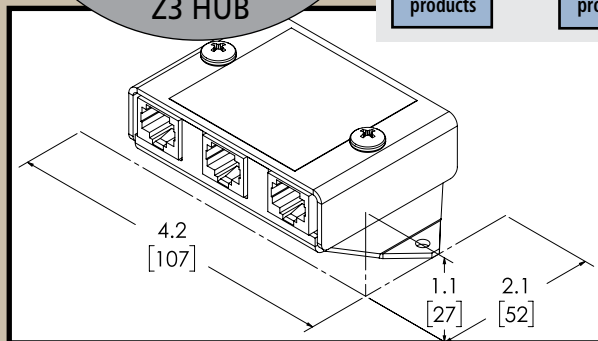
## Z3 Hub

The HUB connects the Siren Amplifier, Siren Control Head, Z3 SWIF™ and (3) Additional Devices!



#### Features:

- The Z3 Hub is designed with (6) input ports\* allowing you to operate multiple devices through your siren amplifier.
- Connect all of your Code 3 siren related products with the Z3 Hub allowing each product to communicate with every other connected product.
- The Z3 Hub is easily installed next to the Z3 amplifier box.



Z3 Hub plugs into the Z3 Amplifier

#### Design Features

- Z3 Hub box with (6) input ports\*
- 2 foot long CAT5 cable

#### Specifications

- 4" L x 2" W x <1" H
  - Less than 0.5 lbs
  - 6 inputs (one connects to siren amplifier)
- \*Allows for installation of other Z3 products.