

Hide-A-LED™

DEUCE

DUAL HEAD W600

INSTALLATION GUIDE

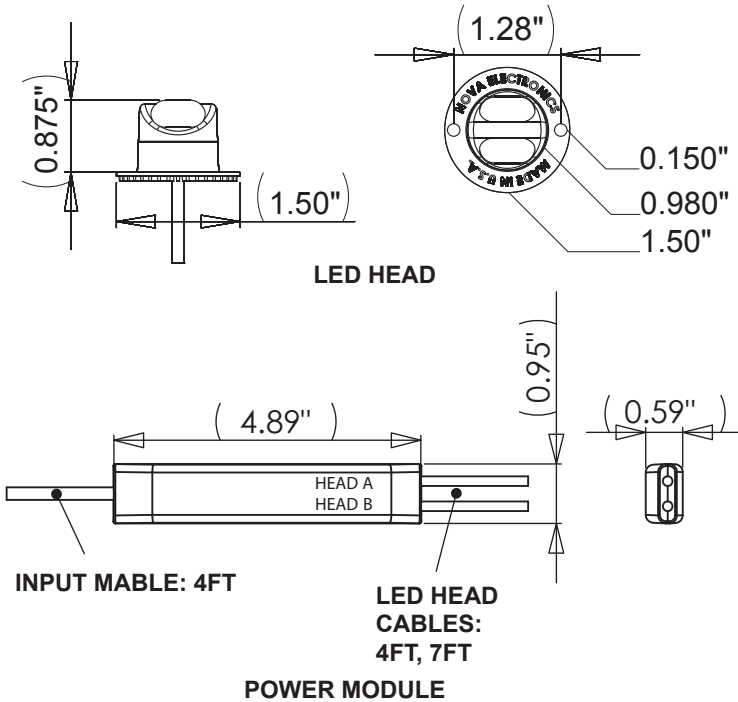


833 W. Diamond St Boise, Idaho 83705
TEL: 888-844-6682 www.strobe.com

TECHNICAL SPECIFICATIONS

INPUT VOLTAGE10 to 30 Volts DC.
 INPUT CURRENT0.5A @ 12.8V, 0.45A @ 25.6V
 LIGHT OUTPUTAMBER: 160+ LUMENS
 BLUE: 155+ LUMENS
 RED: 123+ LUMENS
 WHITE: 660+ LUMENS
 CABLE LENGTH7 FT. (HEAD A), 4FT. (HEAD B)
 LED ELEMENTS4 (EACH HEAD)
 FLASH PATTERNS16 (8 Standard, 8 optional cycle)
 MAX NUMBER OF SYNC'D HEADS ... 64
 WARRANTY PERIOD5 YEARS

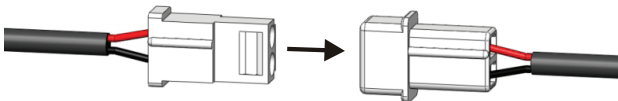
DIMENSIONS



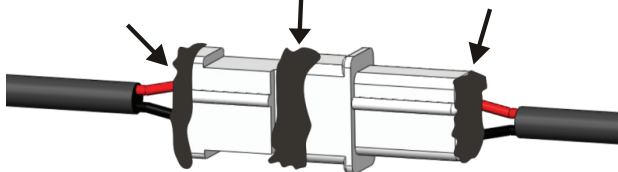
CONNECTOR SEALING

If you wish to use the product in a wet location then the connectors **MUST BE SEALED PROPERLY**:

1) MAKE THE CONNECTION



2) SEAL THE CONNECTORS IN 3 LOCATIONS

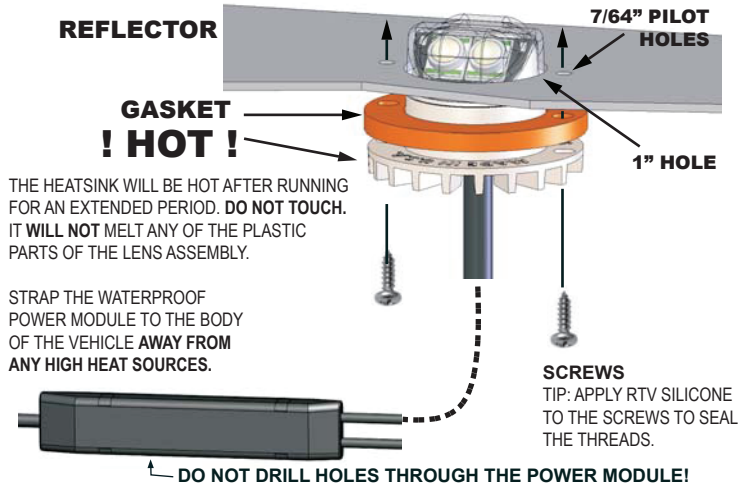


USE AN RTV SILICONE SEALANT SUCH AS PERMATEX® ULTRA BLACK

MOUNTING

Drill a 1" diameter hole in the reflector of the lens assembly. A 1" hole saw is typically used. The HIDE-A-LED™ may be used as a template to mark the location of the two screw holes. The W600 may be mounted in either the back surface, bottom or sides of a reflector. Drill pilot holes with a 7/64" drill bit. Install the HIDE-A-LED™ into the lens assembly using the supplied gasket and screws. If the mounting surface is curved additional sealing may be necessary. Use RTV Silicone sealant if needed.

LOCATE LED HEAD AT LEAST 1" AWAY FROM ANY FACTORY BULB!



THE HEATSINK WILL BE HOT AFTER RUNNING FOR AN EXTENDED PERIOD. **DO NOT TOUCH.** IT WILL NOT MELT ANY OF THE PLASTIC PARTS OF THE LENS ASSEMBLY.

STRAP THE WATERPROOF POWER MODULE TO THE BODY OF THE VEHICLE AWAY FROM ANY HIGH HEAT SOURCES.

FOR DUAL WALL REFLECTORS: FIRST USE A 1.5" HOLE SAW TO DRILL THROUGH OUTER LAYER ONLY. THEN USE 1" HOLE SAW TO DRILL THROUGH INNER LAYER USING SAME PILOT DRILL HOLE. INSTALL THE LED HEAD THROUGH THE 1.5" HOLE AND SEAL THE GAP WITH RTV SILICONE.

ELECTRICAL CONNECTIONS

The wiring diagram on page 2 shows a typical install.

RED: +V

Connect to +V through an ON/OFF switch. The use of a fuse located close to the voltage source is recommended. Size the fuse according to the number of heads used in the system. 18AWG or larger wire is recommended.

BLACK: - GROUND

Connect to - GROUND *vehicle chassis*. 18AWG or larger wire is recommended.

BLUE: Flash pattern SYNC and SELECTION wire.

If you wish to have all the LED heads synchronize their flash timings and patterns with each other then all the BLUE wires must be connected together (64 Heads Maximum). The BLUE wire is also used to select the flash pattern. Touch the BLUE wire to +V to select the next pattern in the FLASH PATTERN LIST. The BLUE wire can also be run to a momentary push-button located on the dashboard to allow the flash pattern to be changed when desired.

Note: Do not connect the BLUE wire to - Ground. It will disrupt the flash pattern sync signal.

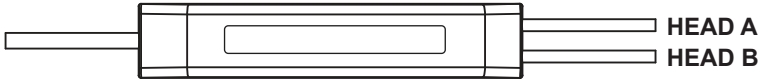


ELECTRICAL CONNECTIONS

YELLOW: Swap Alternating heads.

Connect to either +V or GROUND (GND).

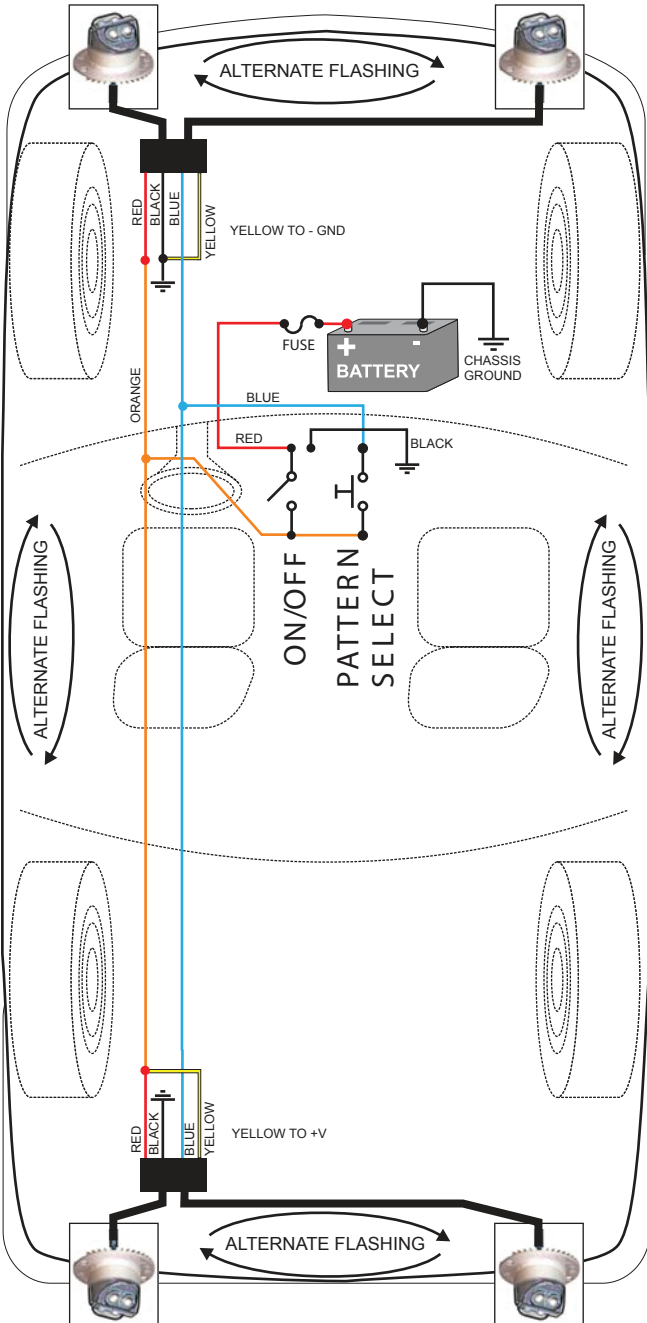
When using more than one HIDE-A-LED™ Deuce, this wire will swap the order of the two LED heads so HEAD A will fire with HEAD B on the other unit. Tie to GND if not used.



The HIDE-A-LED™ DEUCE will also synchronize with any BULL LED™ or SD24 LED head . The wiring colors and functions are identical.

WIRING DIAGRAM

INSTALLATION OF 2 HIDE-A-LED™ DEUCE USING PATTERN SELECT SWITCH PANEL (OPTIONAL) ON DASHBOARD.



© 2009

920-9121-00 REV. C

FLASH PATTERNS

POWER-UP RESET:

After installing the system it is best to do a POWER-UP RESET the first time to ensure that all heads are in sync.

Touch **BLUE** wire to +V while applying power for 1 second.

Release **BLUE** wire. All heads will reset to Pattern #2.

If you have installed a pattern select push-button, press and hold pattern select while turning power switch ON. Release pattern select after 1 second. To select a flash pattern, touch **BLUE** to +V or press pattern select switch to increment the flash pattern. The heads will remember the selected pattern even if power is removed.

STANDARD PATTERNS			
#	Pattern:	Frequency:	Description:
1	Quad Flash	1.25 Hz	75 Quad Flashes Per Minute
2	Double Flash	1.25 Hz	75 Double Flashes Per Minute
3	Triple Flash	1.53 Hz	92.3 Triple Flashes Per Minute
4	DeciBlast	1.42 Hz	85.5 Deci Flashes Per Minute
5	Single Flash	1.25 Hz	75 Single Flashes Per Minute
6	Mega Flash	1.90 Hz	114 Single Flashes Per Minute
7	Triple+Burst	1.37 Hz	82.5 Triple+Burst Flashes Per Minute
8	Steady On		Steady on. Split Color = Fast Mega
CYCLE PATTERNS			
9	Cycle All		Cycle through patterns 1 to 7
10	Double-Triple+Burst		2 Double, 2 Triple+Burst cycle
11	Cycle Classic		1 Double, 1 Quad, 2 Mega cycle
12	Quad-Mega		3 Quad, 4 Mega cycle
13	Single-Quad		2 Single, 2 Quad cycle
14	DeciBlast-Quad		2 DeciBlast, 2 Quad cycle
15	Single-Triple-DeciBlast		2 Single, 2 Triple, 2 DeciBlast cycle
16	Mega-Triple+Burst		1 Mega, 1 Triple+Burst cycle

STANDARD PATTERNS:

In order to maintain compatibility with the BULL LED™ product, the HIDE-A-LED™ ships with only the standard patterns enabled (1 through 8).

CYCLE PATTERNS:

You may add patterns 9 through 16 by following this procedure:

1) Touch **BLUE** wires to +V (**RED** wire) while applying power.

If you have installed a pattern select push-button, press and hold pattern select while turning power switch ON.

2) Hold **BLUE** wires on +V for 5 SECONDS (heads will not be flashing during this time). After 5 SECONDS the heads will flash once or twice to indicate the flash pattern list that has been selected:

ONE FLASH = Standard Patterns only.

TWO FLASHES = Standard + Cycle Patterns.

3) Remove the **BLUE** wires from +V (or release push-button).

You may switch the pattern set at any time as many times as you wish. All heads will remember the pattern set that was selected even when power is removed.

TROUBLESHOOTING

HEAD NOT FLASHING:

Check the RED and BLACK wires for a reversed connection. (Reverse connection will not damage the unit). Check RED and BLACK wires for either a bad splice or a corroded ground connection.

HEADS NOT SYNCHRONIZING:

Check for a short circuit on the BLUE wire to either +V or GROUND. Saltwater on the wire connections will short circuit the sync signal on the BLUE wire. Check for non-functional heads in the system. If any one of the heads has a bad GROUND connection it can cause the sync signal to become corrupted. If any one of the heads has its RED and BLACK wires reverse connected it will corrupt the sync signal.

FLASH PATTERN CHANGING:

If the flash pattern changes on it's own there may be an intermittent short between the BLUE wire and +V. Check for water in the wiring connections. If any one of the heads in the system has an intermittent GROUND connection it can also cause the flash pattern to change.