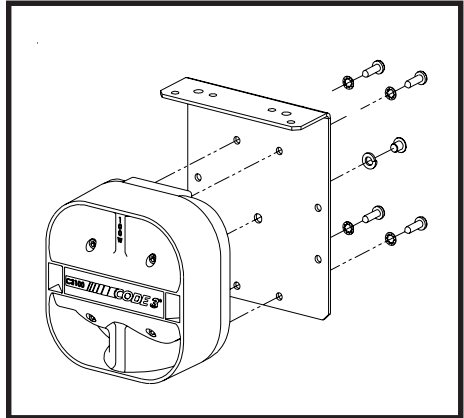


# Installation & Operation Manual



## C3100 Speaker Universal Mounting Bracket Kit

Code 3® Inc., a subsidiary of  
Public Safety Equipment, Inc.

**CODE 3**<sup>®</sup>  
PUBLIC SAFETY EQUIPMENT, INC.

### **⚠ WARNING**



Sirens produce loud sounds that may damage hearing

- Wear hearing protection when testing
- Use siren only for emergency response
- Roll up windows when siren is operating
- Avoid exposure to the siren sound outside of vehicle

**IMPORTANT:**

*Read all instructions and warnings before installing and using this equipment.*

**INSTALLER :**

This manual must be delivered to the end user of this equipment.



**WARNING!**  
**SIREN PRODUCTS:**

Sirens are an integral part of an effective audio/visual emergency warning system. However, sirens are only short range secondary warning devices. The use of a siren does not insure that all drivers can or will observe or react to an emergency warning signal, particularly at long distances or when either vehicle is traveling at a high rate of speed. Sirens should only be used in a combination with effective warning lights and never relied upon as a sole warning signal. Never take the right of way for granted. It is your responsibility to be sure you can proceed safely before entering an intersection, driving against traffic, or responding at a high rate of speed.

The effectiveness of this warning device is highly dependent upon correct mounting and wiring. Read and follow the manufacturer's instructions before installing or using this device. The vehicle operator should check the equipment daily to insure that all features of the device operate correctly.

To be effective, sirens must produce high sound levels that potentially can inflict hearing damage. Installers should be warned to wear hearing protection, clear bystanders from the area and not to operate the siren indoors during testing. Vehicle operators and occupants should assess their exposure to siren noise and determine what steps, such as consultation with professionals or use of hearing protection should be implemented to protect their hearing.

This equipment is intended for use by authorized personnel only. It is the user's responsibility to understand and obey all laws regarding emergency warning devices. The user should check all applicable city, state and federal laws and regulations. Code 3, Inc., assumes no liability for any loss resulting from the use of this warning device.

Proper installation is vital to the performance of the siren and the safe operation of the emergency vehicle. It is important to recognize that the operator of the emergency vehicle is under psychological and physiological stress caused by the emergency situation. The siren system should be installed in such a manner as to: A) Not reduce the acoustical performance of the system, B) Limit as much as practical the noise level in the passenger compartment of the vehicle, C) Place the controls within convenient reach of the operator so that he can operate the system without losing eye contact with the roadway.

Emergency warning devices often require high electrical voltages and/or currents. Properly protect and use caution around live electrical connections. Grounding or shorting of electrical connections can cause high current arcing, which can cause personal injury and/or severe vehicle damage, including fire.

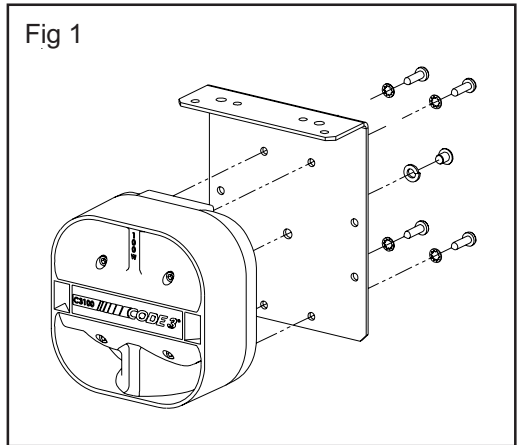
**PROPER INSTALLATION COMBINED WITH OPERATOR TRAINING IN THE PROPER USE OF EMERGENCY WARNING DEVICES IS ESSENTIAL TO INSURE THE SAFETY OF EMERGENCY PERSONNEL AND THE PUBLIC.**

## Selecting a Mounting Location:

The mounting location should not only be as flat as possible but also, allow the siren to project its tone parallel to the road. For detailed information on mounting locations for certain specific vehicles, see the following pages.

**Installation:** Position the bracket onto the desired mounting area and mark the centers of the 4

mounting holes using the bracket as a template.



Now in the center of each of the 4 holes you marked, drill a 1/8-inch pilot hole into the mounting surface for each of the 4 screws then enlarge the pilot holes with a 9/32-inch drill. If you can get access to the other side of the mounting area, and it is not too thick, you may want to substitute the 4 mounting screws with nuts, bolts and washers (customer supplied) of comparable strength and size.

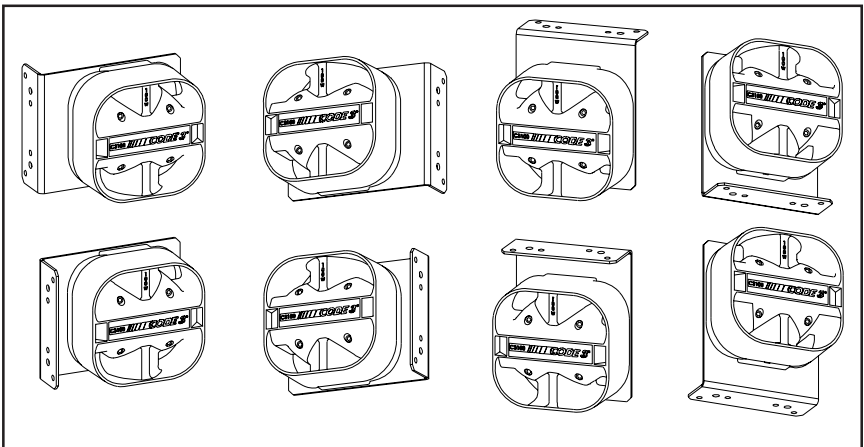


Fig 2, 8 possible mounting positions for the Universal bracket. It is absolutely essential that the speaker be mounted so that the wires exit at the the bottom (toward the ground). Improper mounting will cause damage to your C3100 Speaker and void the warranty

Secure the bracket to the mounting surface with the 4 supplied hex head screws or the customer supplied fasteners of comparable strength and size.

**Note: Some kits are supplied with self-tapping screws. When installing this type of screw you may need a socket and electric drill to drive the screws.**

Attach the siren to the bracket using the supplied screws and washers as shown in Fig. 1. Note the center screw is a button head cap screw and lock washer.

Extend the BLUE (Positive) and WHITE (Negative) speaker wires to your siren amplifier and connect as shown in the amplifiers instructions.

Test the siren for proper operation.

# Mounting The Speaker

## Installation / 2002-2003 Ford Explorer:

The speaker will be mounted in front of the driver side front tire, behind the bumper. You will use two existing nuts and their bolts that are already on the vehicle. Always be sure that the siren's wires exit the bottom of the siren after mounting for proper drainage of the siren.

Attach the mounting bracket to the speaker as shown in figure 3.

Looking in through the driver's side wheel well, find the 2 existing bolts on the vehicle that match up to the mounting holes on the bracket (Fig 4).

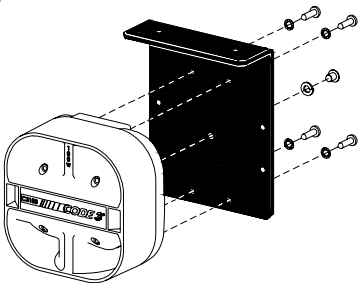


Fig 3, Attaching Mounting Bracket

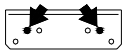
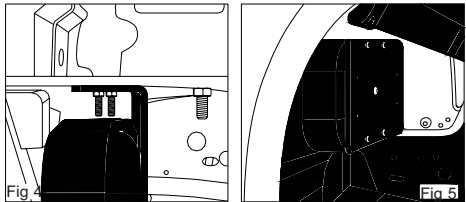


Fig 6, Use these holes for the 02-03 Ford Explorer

Remove the 2 nuts from their bolts and mount the bracket ( with speaker attached) securing it with the 2 nuts you removed (Figs. 2 & 3).

Extend the BLUE (Positive) and WHITE (Negative) speaker wires to your siren amplifier and connect as shown in the amplifiers instructions.

Test the siren for proper operation.

### ***Installation / 2001 Ford Taurus:***

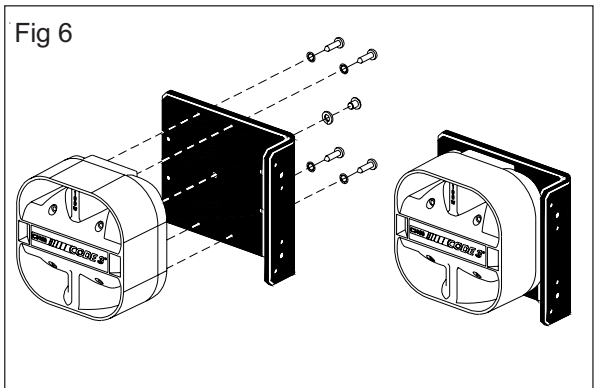
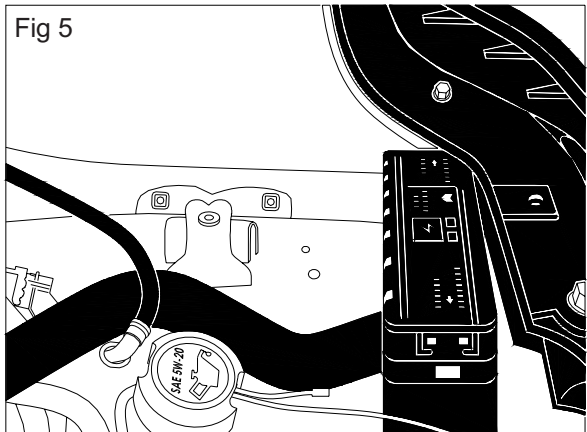
The speaker will mount in the area usually occupied by the Antilock Brake System (ABS). If your vehicle is equipped with ABS you cannot mount the speaker in this location.

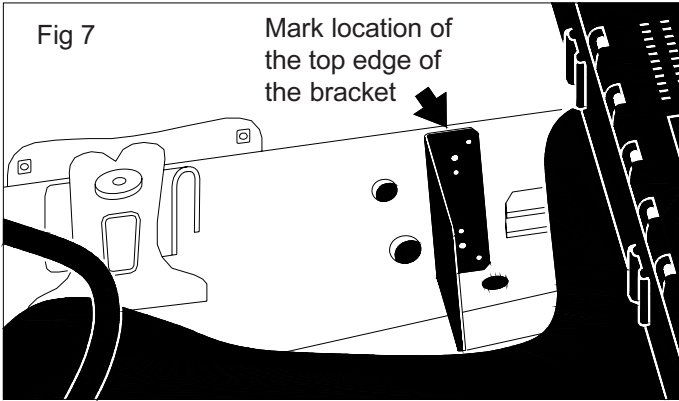
Otherwise, the C3100 speaker will mount under the battery tray. First, you will need to remove the battery tray, and the air filter and housing (Fig. 5). The siren bracket will mount to the driver's side of the engine compartment, on the side wall.

Disconnect the ground terminal from the negative post of the battery, remove the battery and tray and then remove the filter and housing.

Attach the bracket to speaker as shown in Fig. 6.

Position the bracket and speaker onto the mounting area. Try not to position it too far forward so the siren is muffled. Be sure the bracket doesn't interfere with any existing vehicle components. Be sure the bracket is not too near any existing holes on the





mounting area, then mark the mounting surface to show the location of the top of the bracket (Fig. 7).

Now remove the speaker

from the bracket and mount the bracket to the vehicle in the previously determined location, using the self-tapping screws and washers supplied. **You will need to install these screws using a socket driver and electric drill.**

Remount the speaker to the bracket making sure that the siren wires exit the bottom of the speaker for proper drainage.

Extend the BLUE (Positive) and WHITE (Negative) speaker wires to your siren amplifier and connect as shown in the amplifiers instructions.

Test the siren for proper operation.

# NOTES

# WARRANTY

Code 3, Inc. emergency devices are tested and found to be operational at the time of manufacture. Provided they are installed and operated in accordance with manufacturer's recommendations, Code 3, Inc. guarantees all parts and components except the lamps to a period of 1 year (unless otherwise expressed) from the date of purchase or delivery, whichever is later. Units demonstrated to be defective within the warranty period will be repaired or replaced at the factory service center at no cost.

Use of lamp or other electrical load of a wattage higher than installed or recommended by the factory, or use of inappropriate or inadequate wiring or circuit protection causes this warranty to become void. Failure or destruction of the product resulting from abuse or unusual use and/or accidents is not covered by this warranty. Code 3, Inc. shall in no way be liable for other damages including consequential, indirect or special damages whether loss is due to negligence or breach of warranty.

**CODE 3, INC. MAKES NO OTHER EXPRESS OR IMPLIED WARRANTY INCLUDING, WITHOUT LIMITATION, WARRANTIES OF FITNESS OR MERCHANTABILITY, WITH RESPECT TO THIS PRODUCT.**

# PRODUCT RETURNS

If a product must be returned for repair or replacement\*, please contact our factory to obtain a Return Goods Authorization Number (RGA number) before you ship the product to Code 3, Inc. Write the RGA number clearly on the package near the mailing label. Be sure you use sufficient packing materials to avoid damage to the product being returned while in transit.

\*Code 3, Inc. reserves the right to repair or replace at its discretion. Code 3, Inc. assumes no responsibility or liability for expenses incurred for the removal and /or reinstallation of products requiring service and/or repair.; nor for the packaging, handling, and shipping; nor for the handling of products return to sender after the service has been rendered.

Code 3, Inc., a subsidiary of  
Public Safety Equipment, Inc.

 **CODE 3**  
PUBLIC SAFETY EQUIPMENT, INC.

**NEED HELP? Call our Technical Assistance Hotline - (314) 996-2800**

**CODE 3, Inc.**  
10986 N. Warson Road  
St. Louis, Missouri 63114-2029—USA  
[www.code3pse.com](http://www.code3pse.com)

Code 3 is a registered trademark of Code 3, Inc.  
a subsidiary of Public Safety Equipment, Inc.

Revision 1, 02/2006 - Instruction Book Part No. T11271  
©2005-6, CODE 3, Inc. Printed in USA