

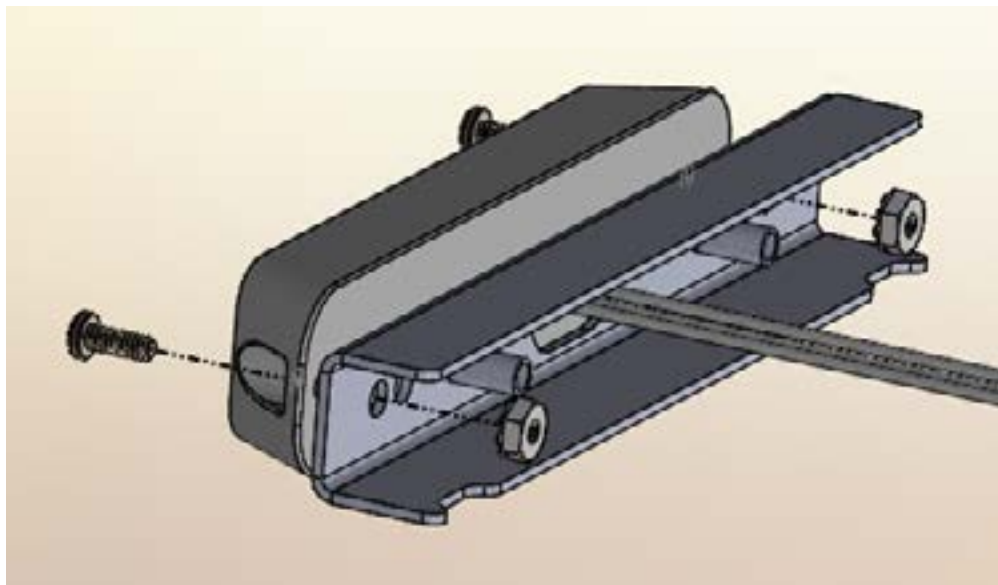
INSTALLATION GUIDE

Grill Light Mounting Kit 2015 Tahoe



Installation:

Step-1. Preassemble the U channel to the light head as shown using #6-32 screws and lock nuts.



WARNING!

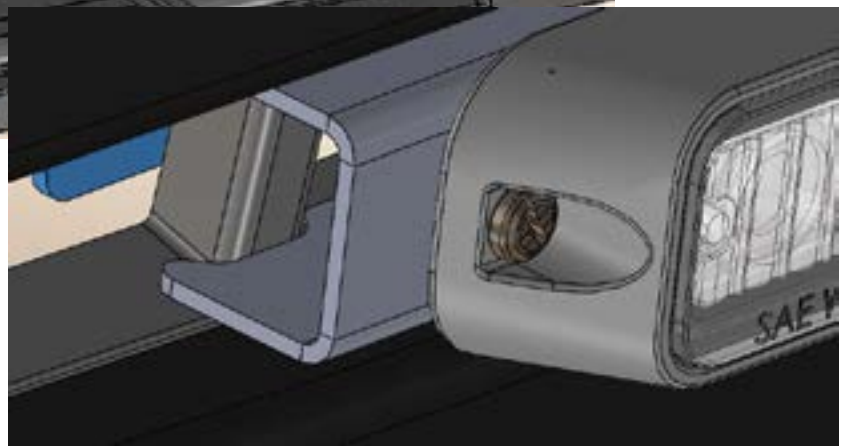
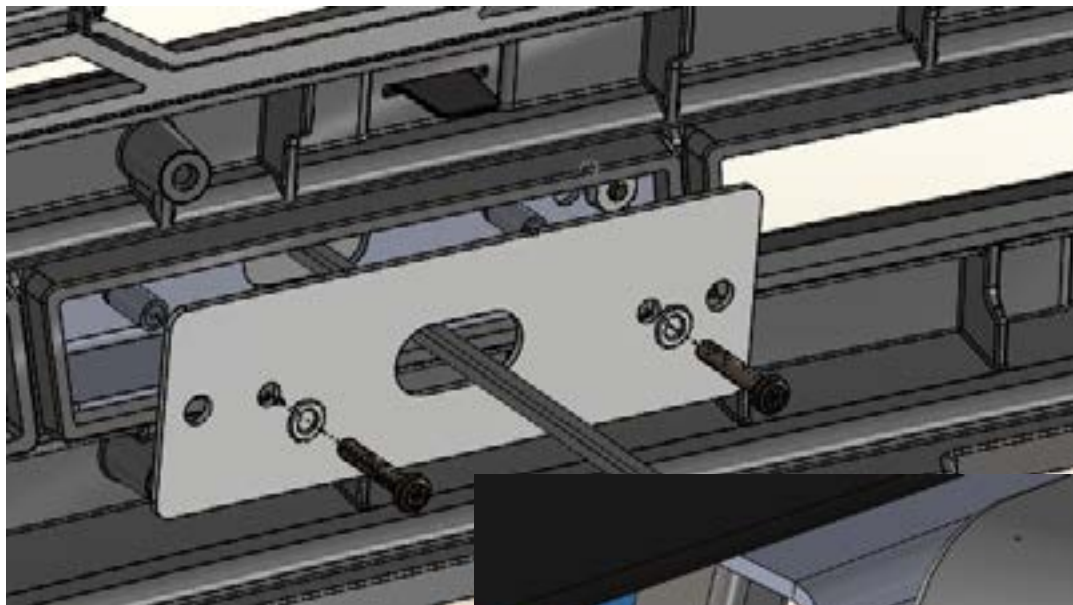


This Product contains high intensity LED devices. To prevent eye damage, DO NOT stare into light beam at close range.

Step-2. Disassemble the plastic engine shroud and set aside.



Step-3. Assemble light head and U bracket assembly to the grill area using the backing plate and (2) #6-32 screws and lock washers. Depending on the application other screws may be substituted that have a length that provides a better fit. Note the notched portion of the U bracket is positioned down.



Step-4. Connect the light head wiring to a convenient switched power source per the light head instructions and test for proper operation. Reinstall the plastic engine shroud.

Notes

WARRANTY

Code 3, Inc.'s emergency devices are tested and found to be operational at the time of manufacture. Provided they are installed and operated in accordance with manufacturer's recommendations, Code 3, Inc. guarantees all parts and components except the lamps to a period of 1 year, LED Lighthead modules to a period of 5 years (unless otherwise expressed) from the date of purchase or delivery, whichever is later. Units demonstrated to be defective within the warranty period will be repaired or replaced at the factory service center at no cost.

Use of lamp or other electrical load of a wattage higher than installed or recommended by the factory, or use of inappropriate or inadequate wiring or circuit protection causes this warranty to become void. Failure or destruction of the product resulting from abuse or unusual use and/or accidents is not covered by this warranty. Code 3, Inc. shall in no way be liable for other damages including consequential, indirect or special damages whether loss is due to negligence or breach of warranty.

CODE 3, INC. MAKES NO OTHER EXPRESS OR IMPLIED WARRANTY INCLUDING, WITHOUT LIMITATION, WARRANTIES OF FITNESS OR MERCHANTABILITY, WITH RESPECT TO THIS PRODUCT.

PRODUCT RETURNS

If a product must be returned for repair or replacement*, please contact our factory to obtain a Return Goods Authorization Number (RGA number) before you ship the product to Code 3, Inc. Write the RGA number clearly on the package near the mailing label. Be sure you use sufficient packing materials to avoid damage to the product being returned while in transit.

*Code 3, Inc. reserves the right to repair or replace at its discretion. Code 3, Inc. assumes no responsibility or liability for expenses incurred for the removal and for installation of products requiring service and/or repair, nor for the packaging, handling, and shipping, nor for the handling of products returned to sender after the service has been rendered.

NEED HELP? Call our Technical Assistance HOTLINE - (314) 996-2800

Code 3®, Inc. 10986 N. Warson Road St. Louis, Missouri 63114-2029—USA Ph. (314) 426-2700 Fax (314) 426-1337
www.code3pse.com