



# R 1200 RT-P BMW LIGHTING PACKAGE (2015+)



## Contents:

Installation (Front Pod) Adding Lightheads.....	Page 2
Installation (Front Pod) Mounting to Stalk .....	Page 3
Installation (Rear Pod) Mounting Base to Radio Box Cover.....	Page 4
Installation (Rear Pod) Adding Lightheads .....	Page 5
Installation (Duplex Light Assembly).....	Page 8
Installation (Controller Setup).....	Page 9
Operations .....	Page 11
Harness Layout .....	Page 13
Parts List.....	Page 14

## IMPORTANT

Read all instructions and warnings before installing and using.

**INSTALLER:** This manual must be delivered to the end user.

# Installation

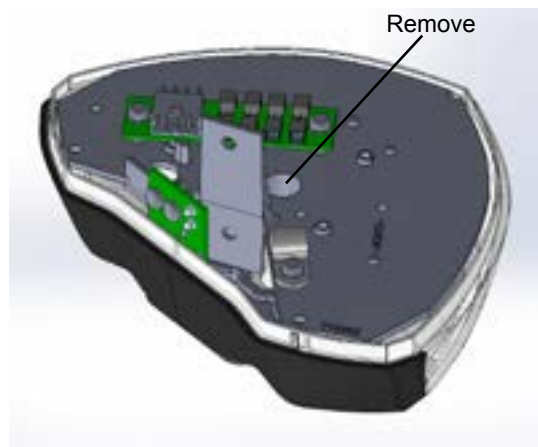
## Front Pod

### Adding Lightheads

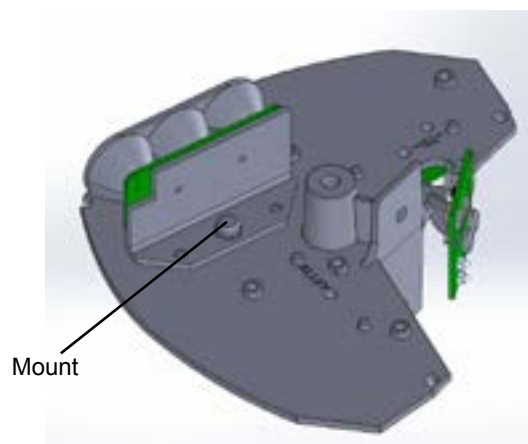
1) Unscrew top lens screw and remove top lens.



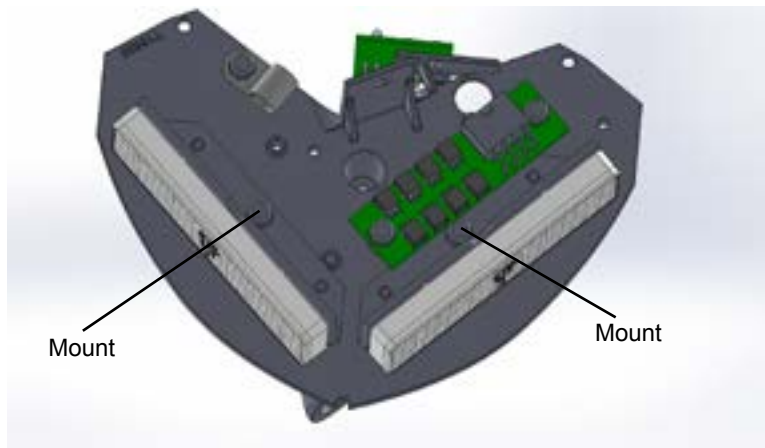
2) Unscrew main boss screw and remove mounting plate. (Right side shown)



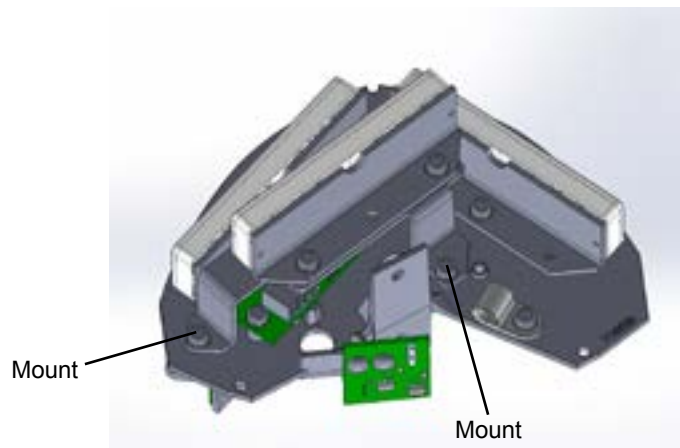
3) Turn the mounting plate over and assemble takedown and alley lights with single screw (included). Single takedown light is shown assembled. Plug connectors into distribution PCB (TAKEDOWN & ALLEY).



4) Turn mounting plate right side up and assemble LED-X warning modules as shown. Plug connector into distribution PCB (SIDE WARN & FWD WARN).

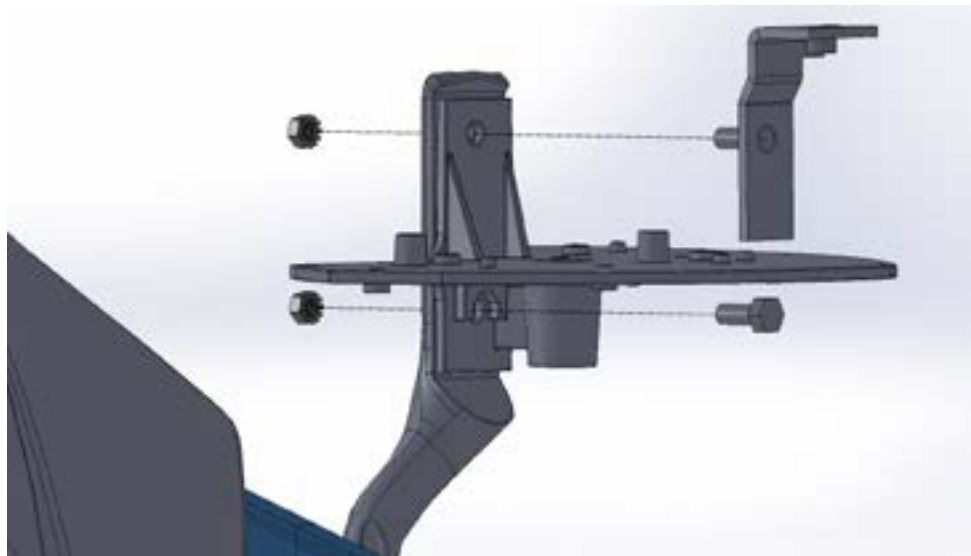


5) Mount top LED-X warning module to LED-X top mounting bracket. Plug connector into distribution PCB (FWD WARN). Mount assembly to mounting plate.

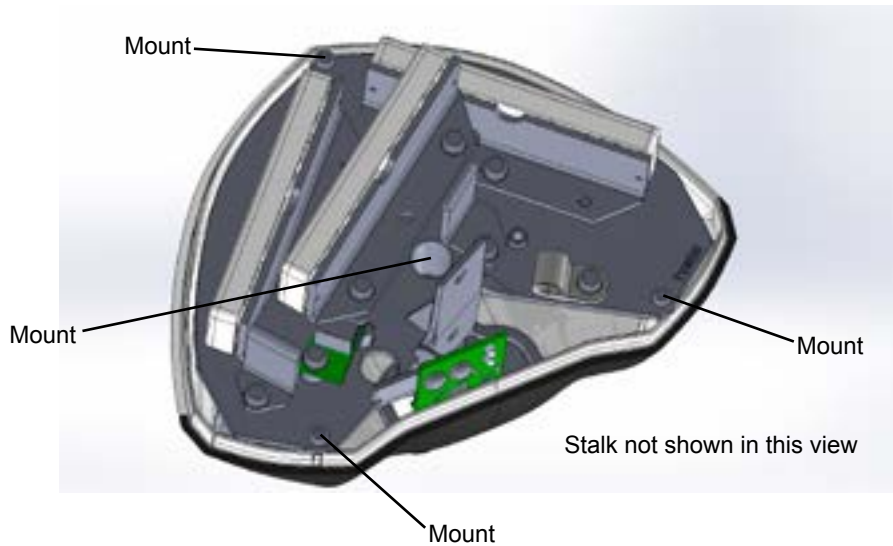


### Mounting to Stalk

- 1) Install grommet into lower lens, and place lower lens over stalk. Route the 8 pin harness through the grommet up into the lower lens. This is a very important step before moving to step 2.
- 2) Assemble mounting plate assembly to stalk (shown without lightheads for clarity).



- 3) Remount (loosely) main boss screw AND lockwasher to connect mounting plate assembly to lower lens.
- 4) Assemble 3 thread cutting screws (black) around perimeter of mounting plate to connect to lower lens. Fully tighten main boss screw.



- 5) Nest 8 pin harness up through rubber grommet in lens bottom, through cable clamp and connect to distribution PCB. It is essential to have harness secured by cable clamp.
- 6) Reassemble top lens and top mounting screw.

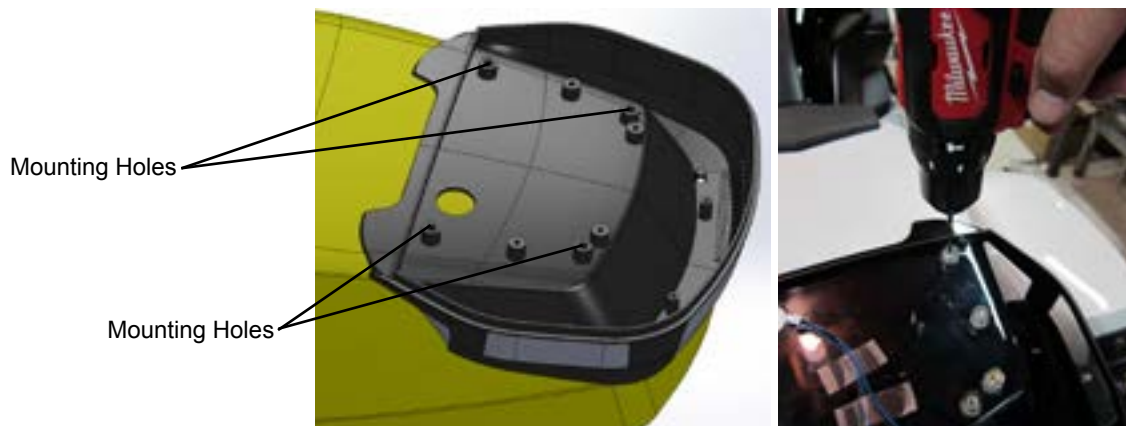


## Installation

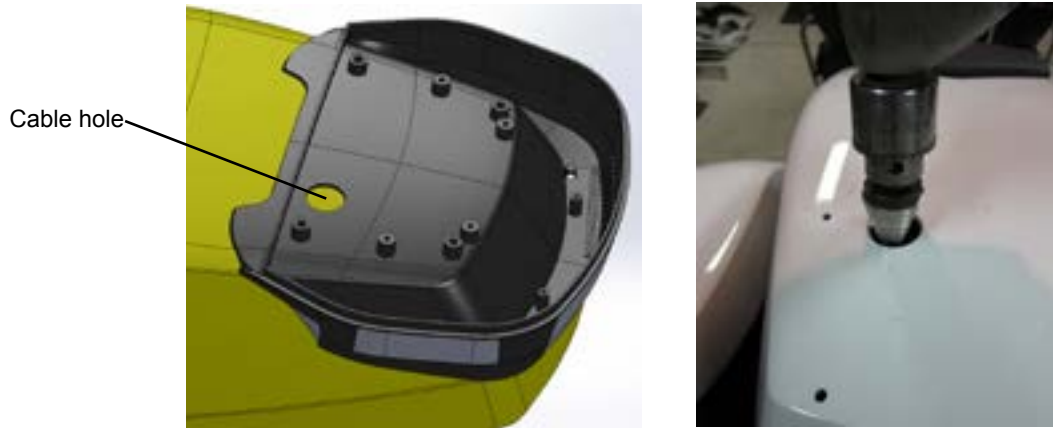
### Rear Pod

#### Mounting Lower Rear Pod Base to Radio Box Cover

1) The base will be used as a drill template for four mounting screws and the cable hole. Place the base over the radio box cover making sure there is NO GAP at the rear. Using a 5/32" drill bit, drill the four mounting holes as shown below to mark the locations. Remove base. Enlarge holes to 1/4" diameter to allow clearance for the M5 screws.



2) Place the base back on the radio box cover. Mark the cable hole with a permanent marker. Remove the base and drill the cable hole with a Unibit or hole saw (1-1/8" diameter).



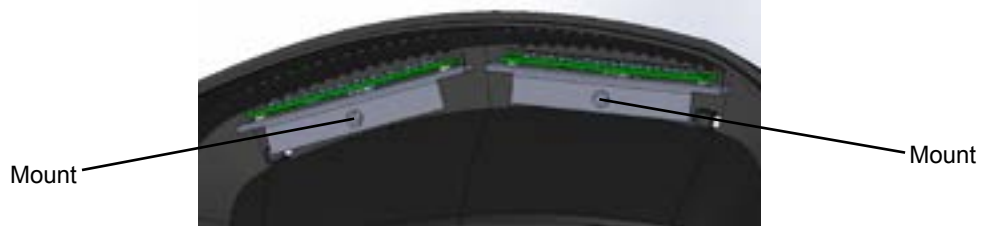
3) Open radio box cover. Drill two 1/2" holes as shown below for screwdriver access. Use mold marks as drill location.

4) Use four of the supplied M5 x 16mm (06 32 7 651 212) screws to attach the base to the radio box cover.



### Adding Lightheads

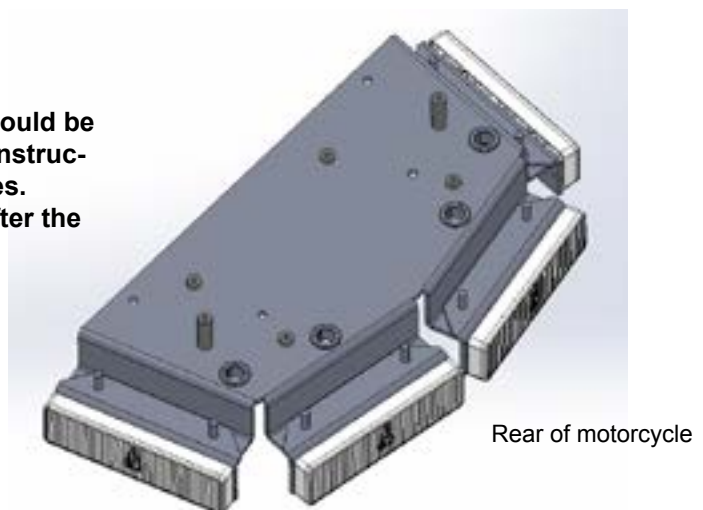
1) Mount ID lightheads with the supplied screw as shown below. Harness will be plugged in after controller is mounted.



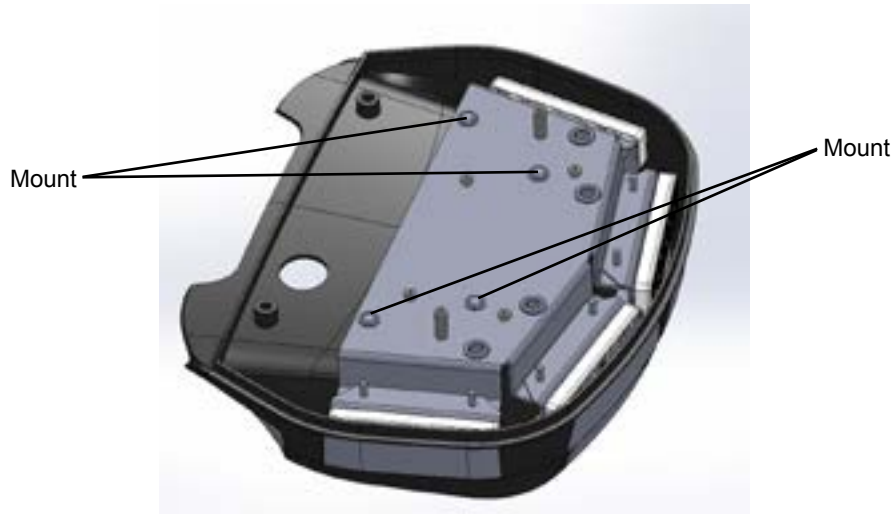
2) Place warning lightheads onto studs on lighthead mounting bracket as shown. Route harnesses up through bushings in bracket. Harnesses will be plugged in after controller is mounted.

### **NOTE:**

**Brake/tail and turn signal lightheads should be mounted to the heat sink at this time. Instructions are written for illustrative purposes. Saddlebag lights should be mounted after the heat sink is in place**

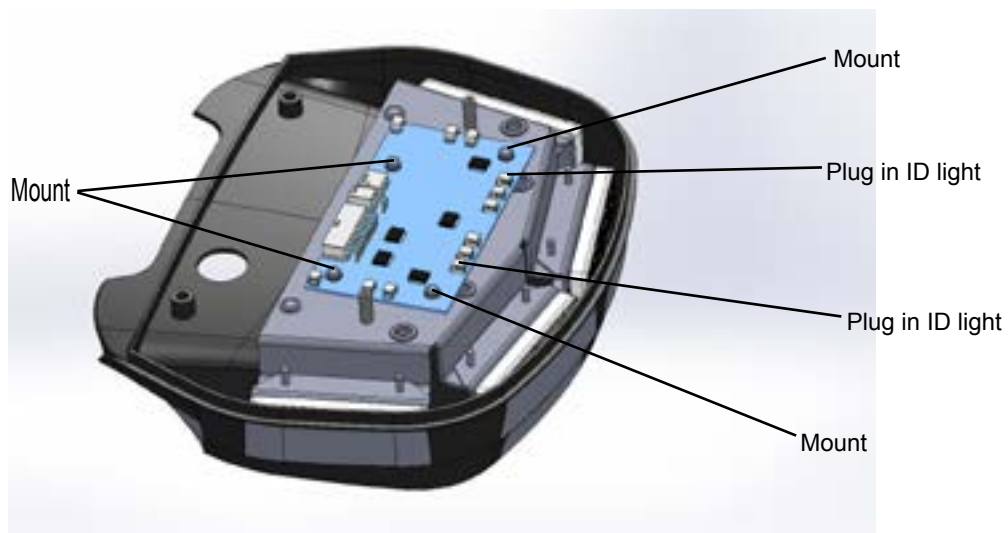


3) Mount heat sink to base with four supplied M5 screws (06 32 7 651 212)

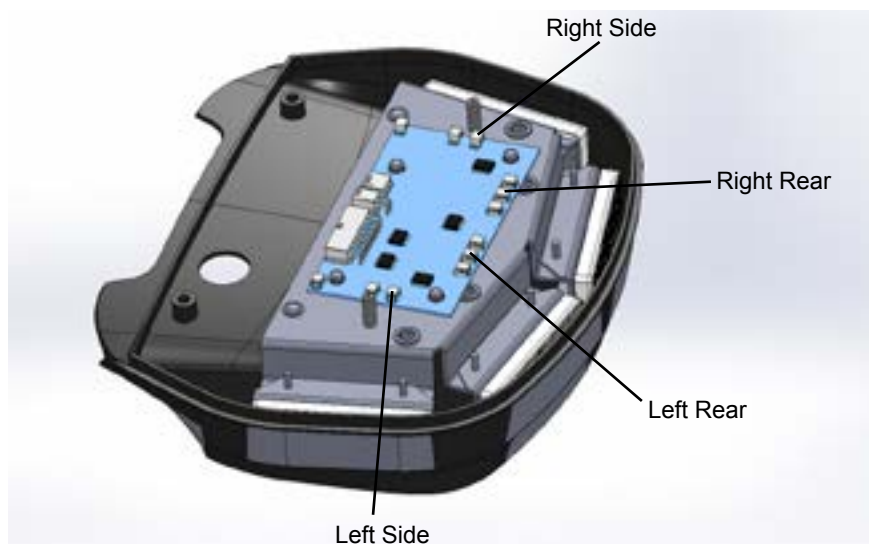


4) Mount controller with four black M4 screws. Plug ID lights into the controller as shown.

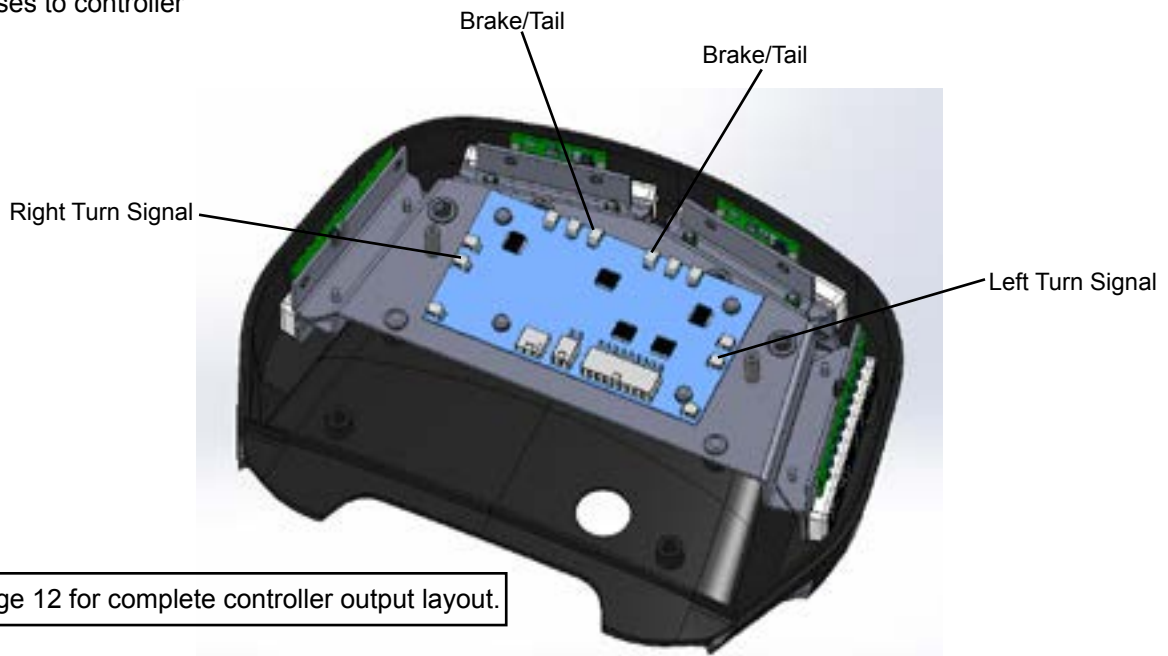
Refer to Page 12 for complete controller output layout.



5) Plug warning lights into the controller as shown.

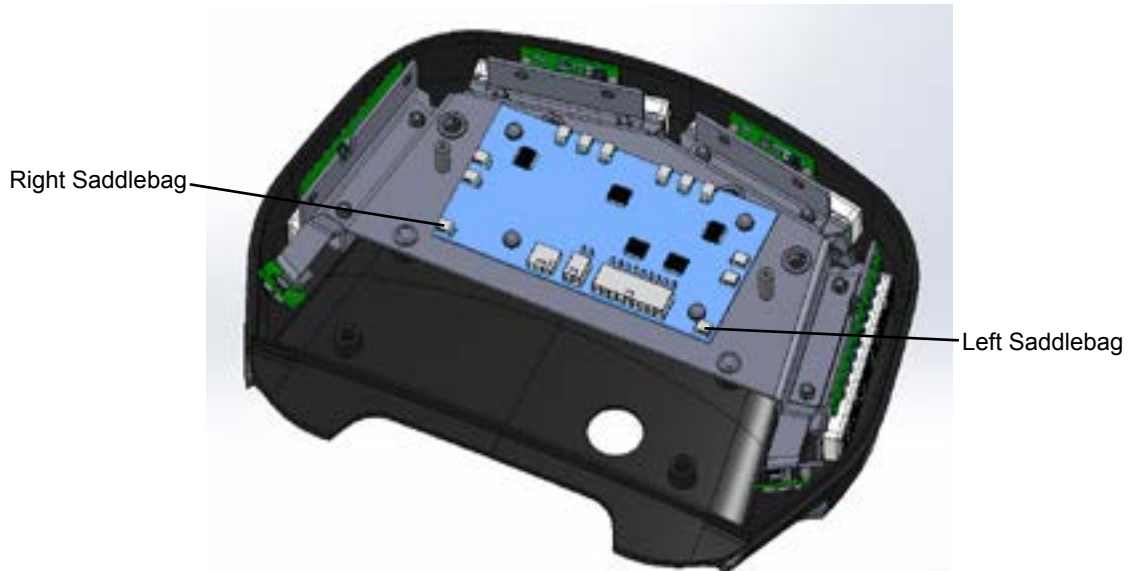


6) OPTION NOTE: Assemble brake/tail and turn signal modules with locking nuts as shown below. Connect harnesses to controller



Refer to Page 12 for complete controller output layout.

7) OPTION NOTE: Mount saddlebag lights with lock nuts as shown. Connect harnesses to controller.



8) Locate 18 conductor and 4 conductor harnesses and connect to controller. Route through cable hole and down into radio box. Make connection of 18 conductor harness to mating connector mounted in a bracket at the front of the radio box. OPTION NOTE: If a Duplex light is to be installed, connect the 3 conductor harness from the controller to the front of the radio box.

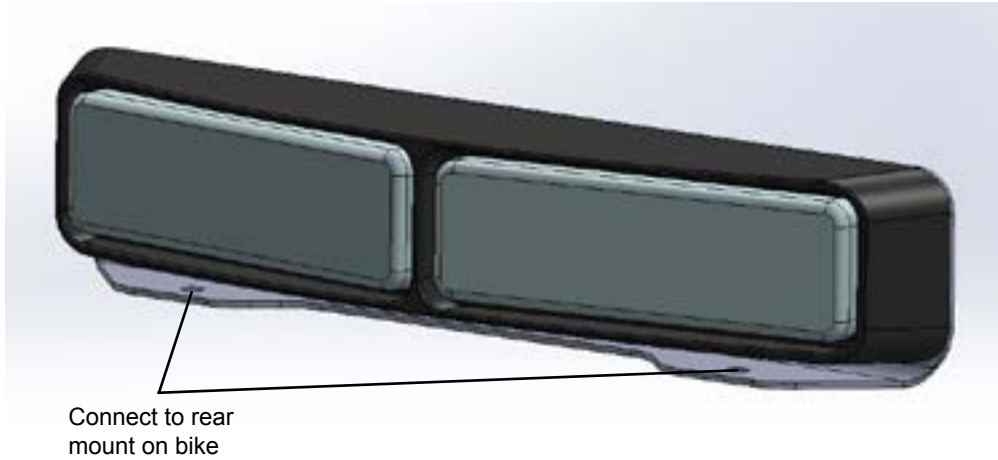
9) Place the top lens onto the assembly and mount with two screws (supplied). DO NOT OVERTIGHTEN - COULD DAMAGE THE CAPTIVE FASTENERS ON THE HEAT SINK. Rear pod assembly is complete.



# Installation

## Duplex Light Assembly

- 1) Remove tape from assembly
- 2) Attach bracket to rear mount on bike with two M5 screws.
- 3) Rotate Duplex assembly (if required) to make sure lighthouse colors are on proper side.
- 4) Snug cable to housing and attach screws to back.
- 5) Insert liquid tight bushing into cable hole
- 6) Route cable into entry portal near rear power socket, then up through the bushing in floor of radio box to bracket and attach. See below picture.
- 7) Connect to the 3 conductor cable coming from controller.



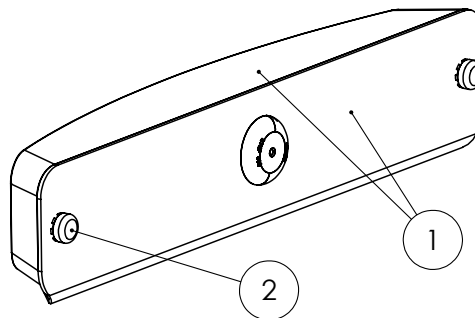
Duplex cable mounting

Route cable through bush-



### DUPLEX ASSEMBLY PARTS LIST

Balloon #	Description	Replacement P/N
1	Duplex Assembly (red/red)	63 17 2 361 728
1	Duplex Assembly (blue/blue)	63 17 2 361 729
1	Duplex Assembly (red/blue)	63 17 2 361 730
1	Duplex Assembly (amber/blue)	63 17 2 361 731
2	M5 x 8mm screw w/ lockwasher	46 63 2 361 754





# Installation

## Controller setup

### Definitions:

Interclear® - Feature that changes the flash pattern and siren tone for 8 seconds providing an additional level of warning (used primarily while going through intersections). It is activated by momentarily pressing the siren activation switch.

Cruise - Forward and Rear facing (only) warning lights steady burn dimly (10% of full brightness) for enhanced public awareness of police presence.

### Setting Flash Patterns

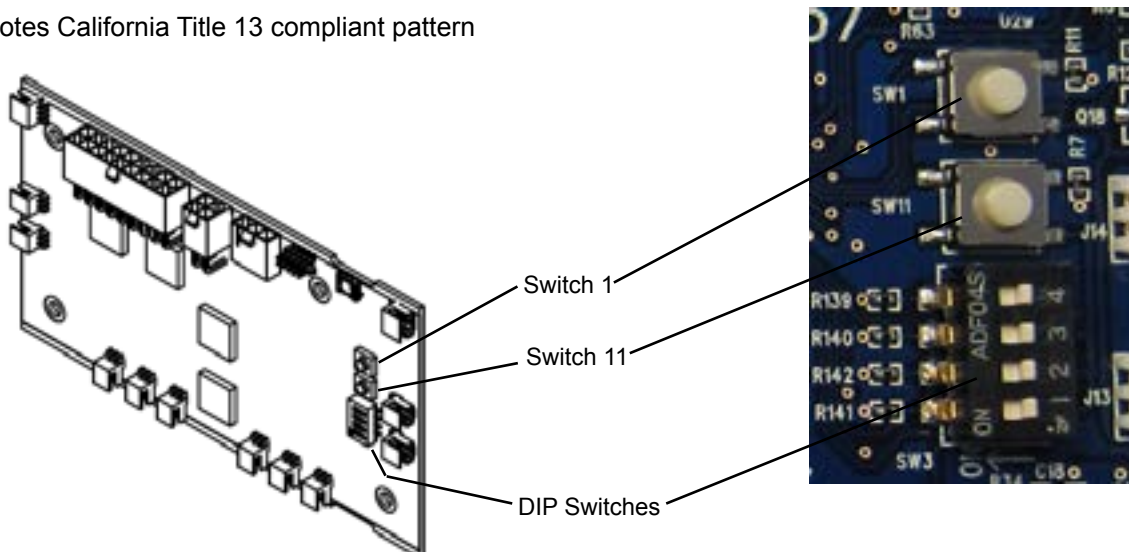
Two push button switches on the controller are used for selecting the flash patterns of the warning lights, as shown below. SW11 controls the primary flash patterns. SW1 controls the flash pattern for Interclear® mode. Each press of the button changes the flash pattern to the next ascending pattern listed below. Please remember that when setting the interclear flash pattern, it will only flash for 8 seconds and then revert to the primary flash pattern.

The flash pattern descriptions below are reasonably self explanatory. The number in the description of each represents the number of flashes per minute (FPM). Double flash describes two quick light pulses followed by a certain amount of "off" time. The variable flash patterns cycle through (up then down) different SINGLE flash rates. Variable Flash 120 cycles through flash rates from 60-120 FPM. Variable Flash 240 cycles through flash rates from 60-240 FPM.

Flash Patterns - all patterns are alternating (side to side)

1. Single Flash 60\*
2. Single Flash 90\*
3. Single Flash 120\*
4. Single Flash 150
5. Single Flash 180
6. Double Flash 60\*
7. Double Flash 90\*
8. Double Flash 120\*
9. Double Flash 150
10. Double Flash 180
11. Variable Flash 120\*
12. Variable Flash 240 (Default flash pattern)

\* - Denotes California Title 13 compliant pattern



## Setting Dip Switches

DIP switches allow certain features of the controller to be selected by the user. A table showing their function follows.

### DIP Switch Functionality

Switch #	Function Description	Function when OFF	Function when ON
1	Flash Group order	Flash grouping A active when emergency lighting switch is pressed. Scrolling through this switch advances the flash group to the next group in the table below	Flash grouping B active when emergency lighting switch is pressed. Scrolling through this switch advances the flash group to the next group in the table below
2	Alley light flashing	Alley light flashes with warning lights (Pressing left or right alley light switch overrides to steady burn)	Alley lights steady burn only when left or right alley light switch is pressed
3	Warning light steady burn	All warning lights flash	Left front warning lights steady burn instead of flash (to meet California Title 13 requirements)
4	Bootloader	Does not allow controller programming	Allows controller programming

### Flash Grouping for DIP Switch 1

Flash Grouping A	Flash Grouping B
Rear Only	Front & Rear
Front & Rear	Rear Only
Rear Only	Front Only
Front Only	

Flash grouping cycles back to the top once the bottom is reached

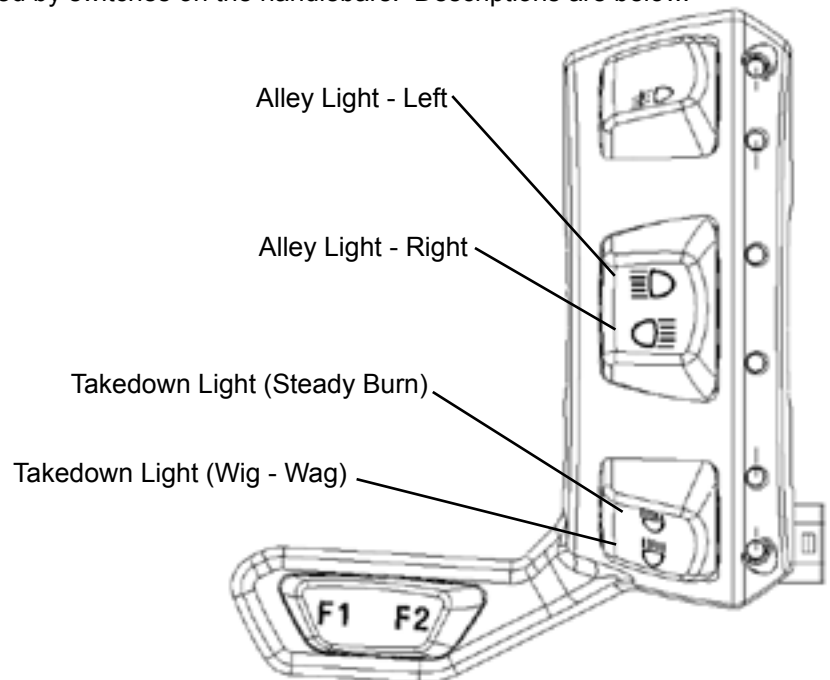
# Operation

All lighting package features are controlled by switches on the handlebars. Descriptions are below.

## Left Hand switches

### Note on Take Down Lights:

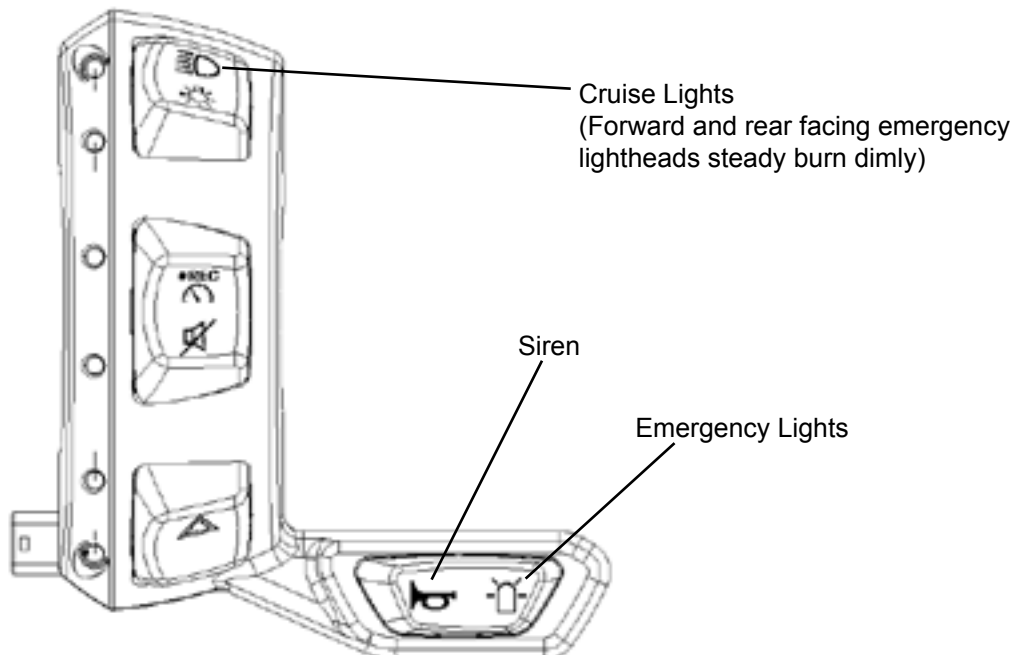
When Wig-Wag switch is activated, TD lights alternate with warning lights. Steady burn switch will override flashing TD lights - allowing only steady burn.



### Caution:

The purpose of Take-Down lights is to provide a high level of elevated light to illuminate the inside of a violator's car or to illuminate the violator stop area. It is not recommended to operate the wig-wag take-down light feature at night while riding - as the intensity of these lights could be distracting to oncoming drivers. This feature is designed to operate in daylight or when the rider deems the surroundings safe and appropriate for their use.

## Right Hand switches



Most switch functions are intuitive. The siren switch and emergency lighting switch deserve further explanation as it relates to lighting.

**Siren Switch:** When the siren is scrolled, Interclear® activates simultaneously for 8 seconds. Press and hold turns the siren off.

**Emergency Lighting Switch:** When this switch is scrolled, the groups of warning lights (that are flashing) change. Please reference the Flash Grouping Table on the previous page for further explanation. Press and hold turns the emergency lights off.

# Saddlebag Operation

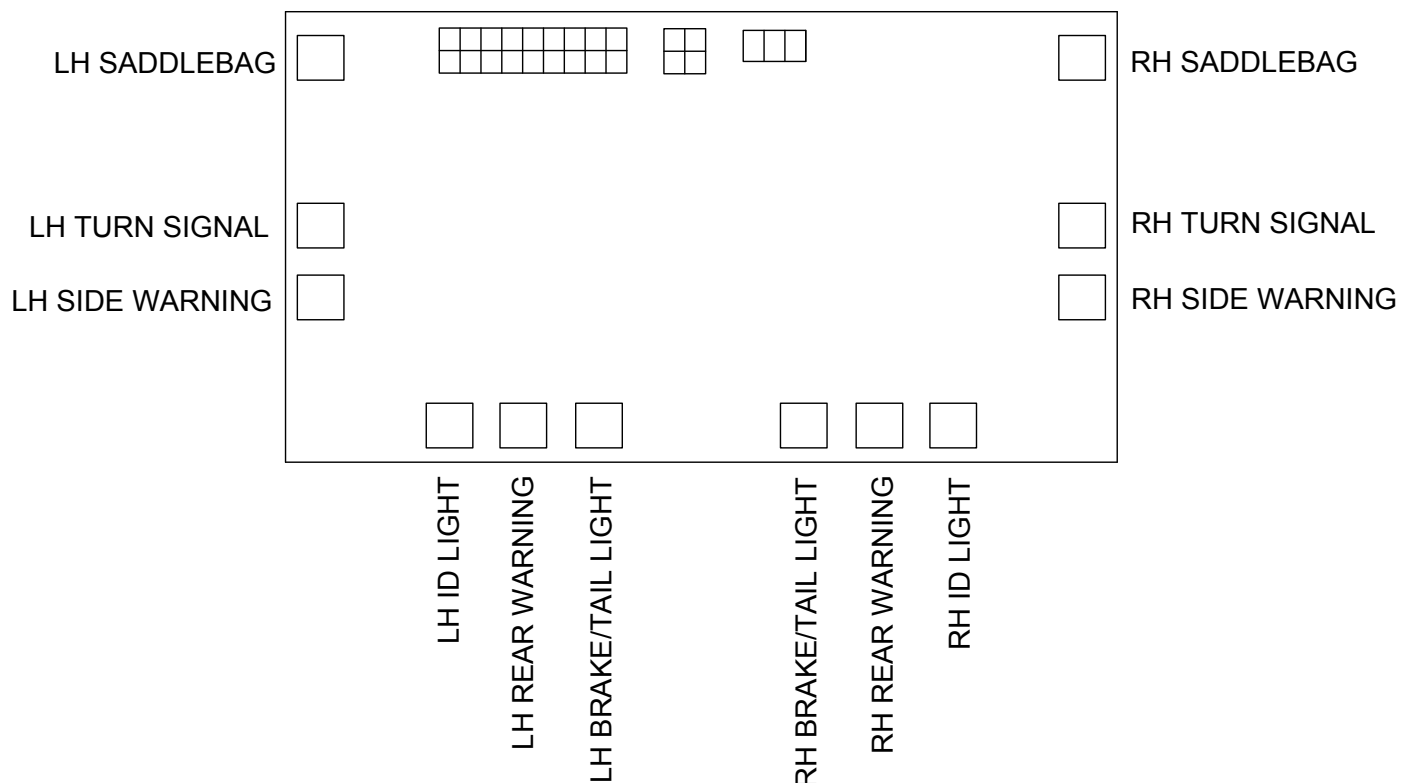


The saddlebag light is activated by placing or moving a hand (or any object) very closely to the saddlebag window. A sensor will activate the light for approximately 15 seconds and then turn off. If more time is required, simply repeat the above instructions.

**Note:** Keep the window clean as unwanted activation may occur if the sensor picks up an object on the clear surface.

## K59 CONTROLLER OUTPUT LAYOUT

TOP VIEW  
FRONT OF BIKE



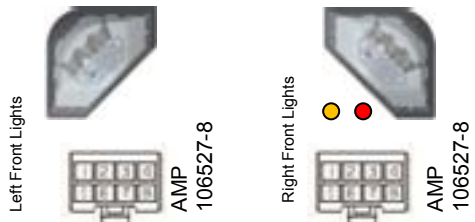
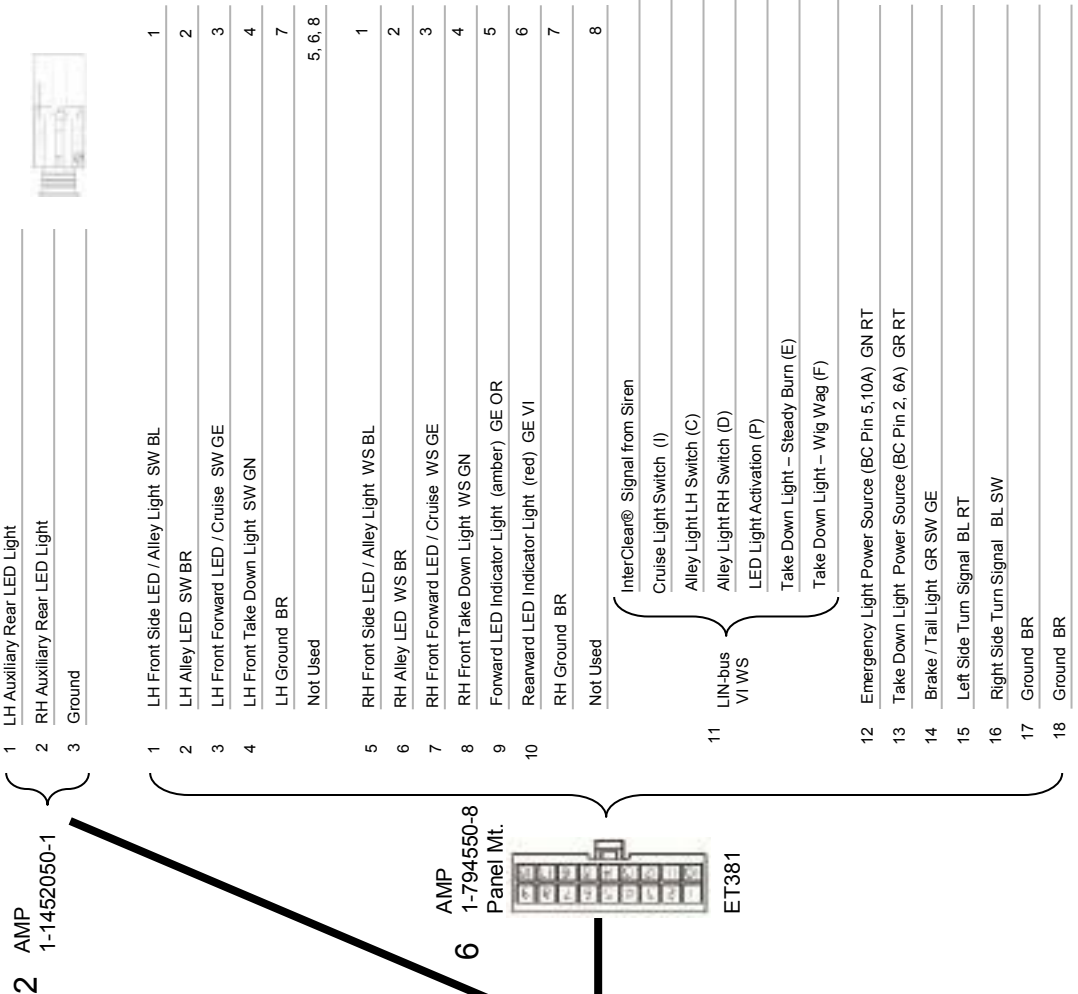
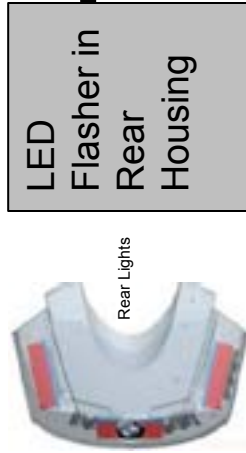
# K52 SF ZU Harness MY 2015 forward LED Lighting System

**Light Connections Inside Rear Housing on Flasher Board**

- LH Rear Side LED
- LH Rear LED / Cruise
- RH Rear LED / Cruise
- RH Rear Side LED
- LH Side Turn Signal
- RH Side Turn Signal
- Rear Brake / Tail Light
- Rear Blue ID LED Lights
- Saddlebag Lights

**Flasher Dip Switch Map**

- 1-Flash Actuation Grouping
- 2-Enable Alley Lights with warning Lights
- 3-CA LH Front Warning Light
- 4-Bootloader (to reprogram if needed)

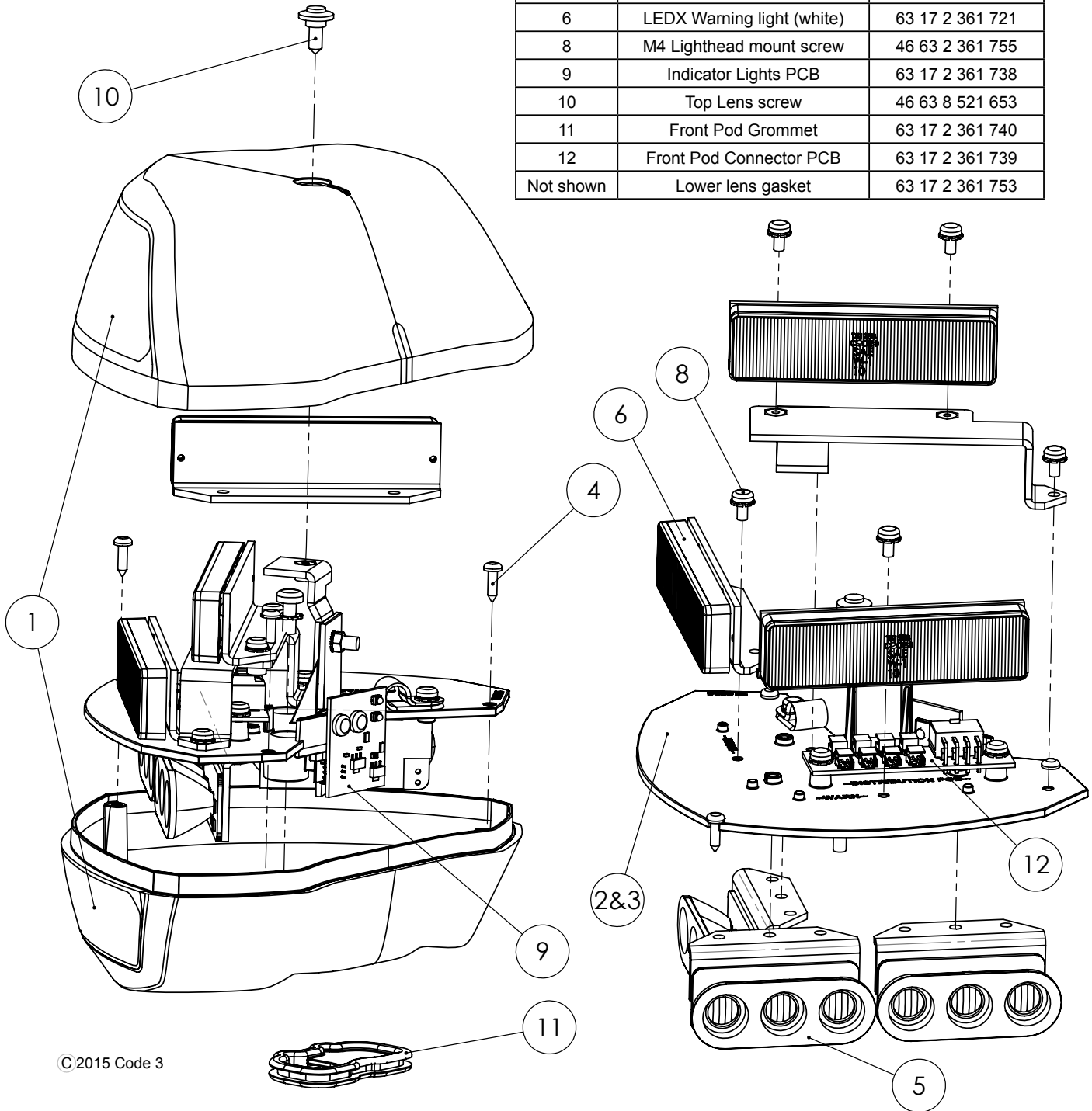


**Video Connection Plug**

- 1-LH Turn Signal
- 2-RH Turn Signal
- 3-Rear Brake
- 4-Rear Emergency Lights

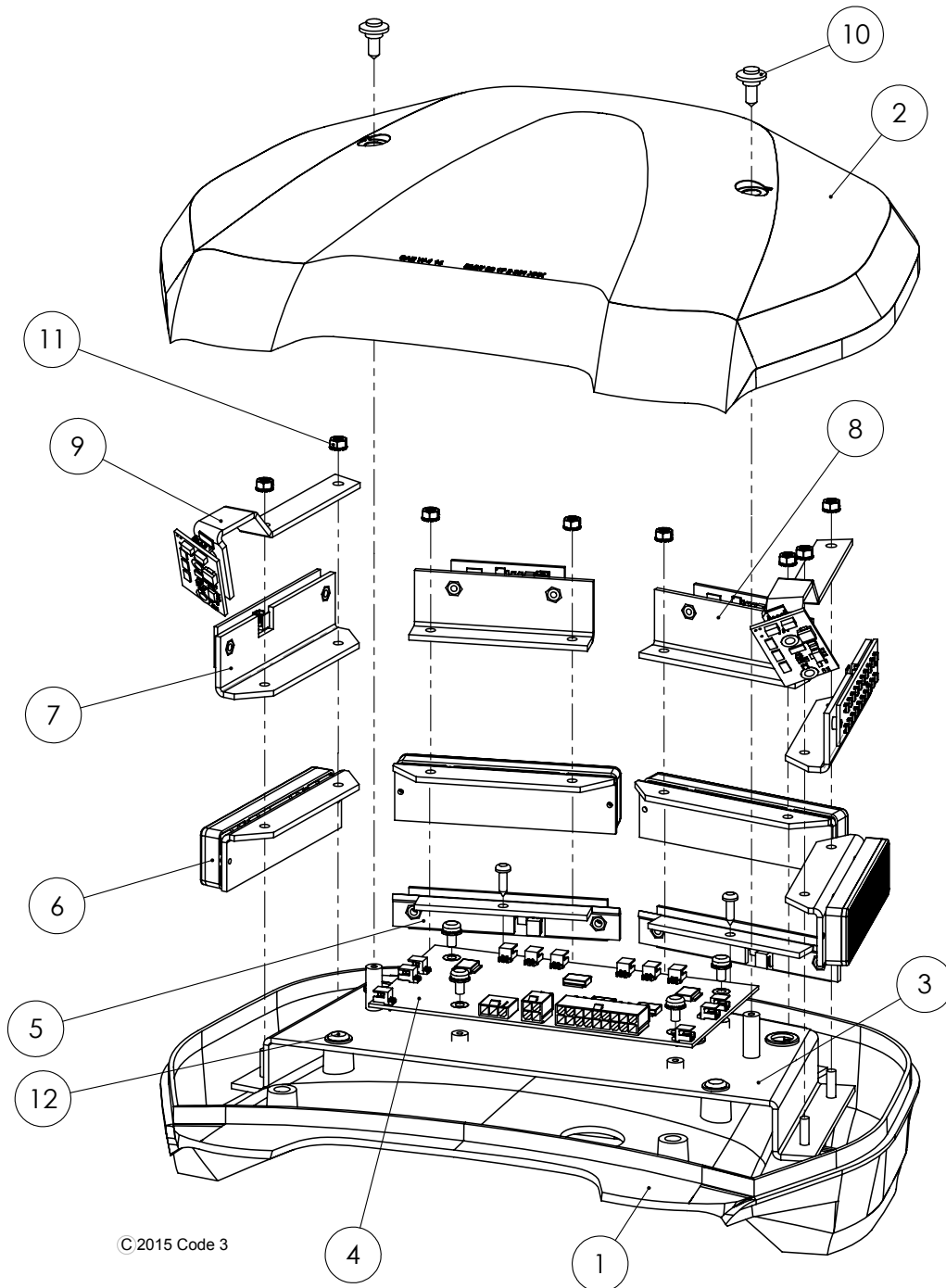
# FRONT POD PARTS LIST

Balloon #	Description	Replacement P/N
1	Front Pod Shells (pair)	63 17 2 361 734
2	Heat Sink (left pod)	63 17 2 361 735
3	Heat Sink (right pod)	63 17 2 361 736
4	Self tapping screw	63 17 2 361 737
5	Takedown/Alley light	63 17 2 361 722
6	LEDX Warning light (red)	63 17 2 361 718
6	LEDX Warning light (blue)	63 17 2 361 719
6	LEDX Warning light (amber)	63 17 2 361 720
6	LEDX Warning light (white)	63 17 2 361 721
8	M4 Lighthouse mount screw	46 63 2 361 755
9	Indicator Lights PCB	63 17 2 361 738
10	Top Lens screw	46 63 8 521 653
11	Front Pod Grommet	63 17 2 361 740
12	Front Pod Connector PCB	63 17 2 361 739
Not shown	Lower lens gasket	63 17 2 361 753



© 2015 Code 3

# REAR POD PARTS LIST



© 2015 Code 3

Balloon #	Description	Replacement P/N	Balloon #	Description	Replacement P/N
1	Lower Base	63 17 2 361 750	6	LEDX Warning light (amber)	63 17 2 361 720
2	Shell Cover	63 17 2 361 749	6	LEDX Warning light (white)	63 17 2 361 721
3	Heat Sink	63 17 2 361 751	7	Turn signal	63 17 2 361 725
4	Flash Controller	61 35 2 361 757	8	Brake tail	63 17 2 361 726
5	ID light - blue (pair)	63 17 2 361 723	9	Saddlebag light (pair)	63 17 2 361 727
5	ID light - red (pair)	63 17 2 361 724	10	Top Lens screw	46 63 8 521 653
6	LEDX Warning light (red)	63 17 2 361 718	11	M4 Lock nut	63 17 2 361 752
6	LEDX Warning light (blue)	63 17 2 361 719	12	M5 Mounting screw	06 32 7 651 212
Not shown	Lower lens gasket	63 17 2 361 753	Not shown	Harness kit	61 11 2 361 758

# WARRANTY

Code 3™, Inc.'s emergency devices are tested and found to be operational at the time of manufacture. Provided they are installed and operated in accordance with manufacturer's recommendations, Code 3™, Inc. guarantees all parts and components to a period of 5 years from the date of purchase or delivery, whichever is later. Units demonstrated to be defective within the warranty period will be repaired or replaced at the factory service center at no cost.

Use of a lamp or other electrical load of a wattage higher than installed or recommended by the factory causes this warranty to become void. Failure or destruction of the product resulting from abuse or unusual use and/or accidents is not covered by this warranty. Code 3™, Inc. shall in no way be liable for other damages including consequential, indirect or special damages whether loss is due to negligence or breach of warranty.

**CODE 3™, INC. MAKES NO OTHER EXPRESS OR IMPLIED WARRANTY INCLUDING, WITHOUT LIMITATION, WARRANTIES OF FITNESS OR MERCHANTABILITY, WITH**



10986 North Warson Road  
St. Louis, MO 63114  
Customer Service  
(314) 426-2700  
cs-c3@code3esg.com  
www.code3esg.com

A Division of ESG | [www.eccogroup.com](http://www.eccogroup.com)