



Installation and Operation Instructions LED UTILITY BARS

CODE 3 INC. LED Utility Bars are designed to provide superior lighting performance and withstand the harshest environments. Available in various lengths, LED wattages, and with either flood, spot or combination beam patterns. These robust, high output lights feature the latest LEDs and reflectors designed for maximum light projection. The coated die-cast aluminum housing is fully sealed for protection against water ingress, vibration, shock and impact. Two (pivoting) mounting methods are included, choose from heavy duty side-mounted pedestal brackets or bottom-mounted carriage bolts. Additional benefits of LED technology include a bright white beam, low current consumption and a long, maintenance free service life. This manual provides information about installation, function, safety, maintenance, replacement parts, and warranty.

IMPORTANT! Read all instructions before installing and using. Installer: This manual must be delivered to the end user.

WARNING!

Failure to install or use this product according to manufacturer's recommendations may result in property damage, serious bodily/personal injury, and/or death to you and those you are seeking to protect! Check wattage before installing light to avoid possible equipment damage.



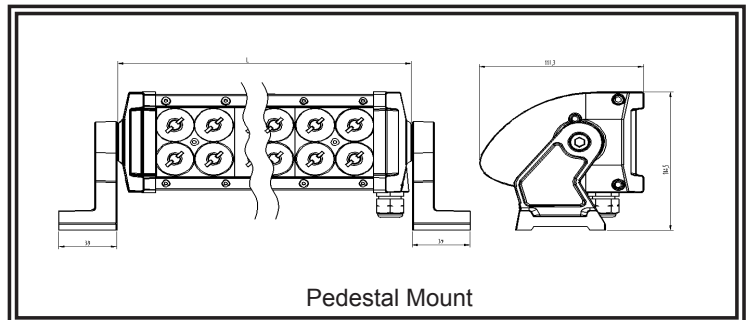
Do not install and/or operate this safety product unless you have read and understand the safety information contained in this manual.

1. Proper installation combined with operator training in the installation, use, care and maintenance of vehicle equipment accessories is essential to ensure the safety of you and those you are trying to protect.
2. Exercise caution when working with live electrical connections.
3. This product must be properly grounded. Inadequate grounding and/or shorting of electrical connections can cause high current arcing, which can cause personal injury and/or severe vehicle damage, including fire.
4. Proper placement and installation are vital to the performance of this worklamp. Install this product so that output performance of the system is maximized and the controls are placed within convenient reach of the operator so that s/he can operate the system without losing eye contact with the work area.
5. It is the responsibility of the vehicle operator to ensure during use that all features of this product work correctly. In use, the vehicle operator should ensure the projection of the beam is not blocked by vehicle components (i.e., open trunks or compartment doors), people, vehicles, or other obstructions.
6. The manufacturer assumes no liability for any loss resulting from the use of this device.

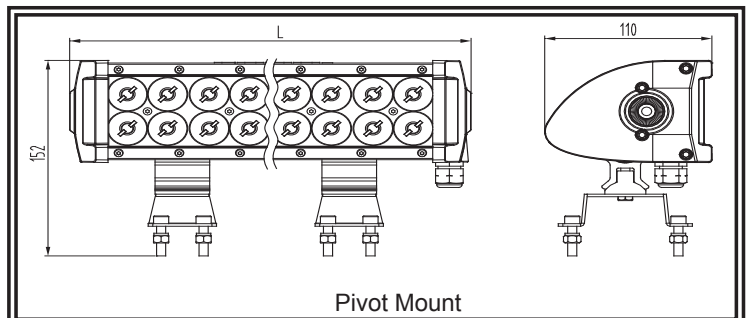
NOTE: Black die cast Aluminum housing gets very hot to the touch after operating constantly for several hours.

Specifications:

Model	Length	LEDs	Watts	Amps/12 VDC	Amps/24 VDC	Lumens	Fuse Needed
UTLY08-SF	8"	6	30	3.3	1.1	1680	5
UTLY08-SS	8"	6	30	3.2	1	1680	5
UTLY12-SC-10	12"	6	30	4.4	2.1	3350	5
UTLY14-SC	14"	12	60	5.7	2.1	3360	7.5
UTLY24-SC	24"	21	105	8.7	3.6	5880	10
UTLY36-SC	36"	33	165	13	6.6	9240	15
UTLY49-SC	49"	45	225	18.5	7.9	12600	25
UTLY08-DF	8"	12	60	4.5	2.2	3360	7.5
UTLY08-DS	8"	12	60	4.7	2.3	3360	7.5
UTLY14-DC	14"	24	120	9.3	4.5	6720	15
UTLY25-DC	25"	44	220	17.3	8.4	12320	20
UTLY33-DC	33"	60	300	25	12	16800	30
UTLY42-DC	42"	76	380	32	15.5	21280	40



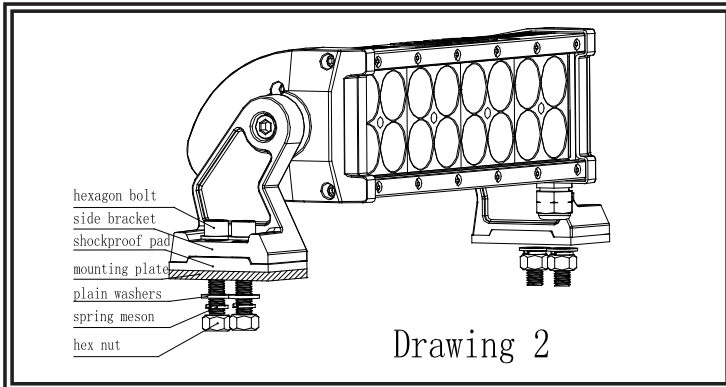
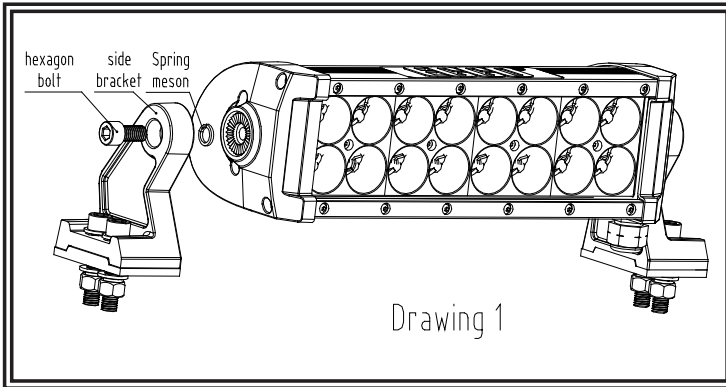
Pedestal Mount



Pivot Mount

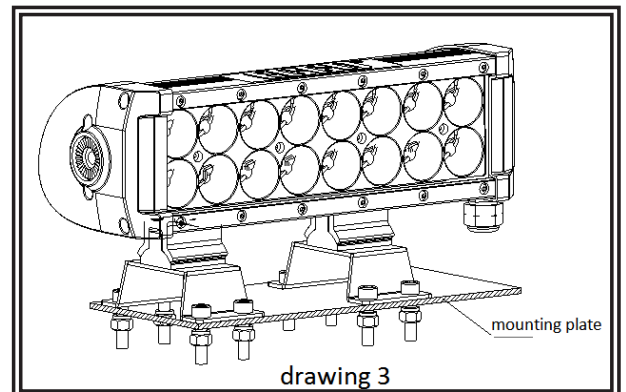
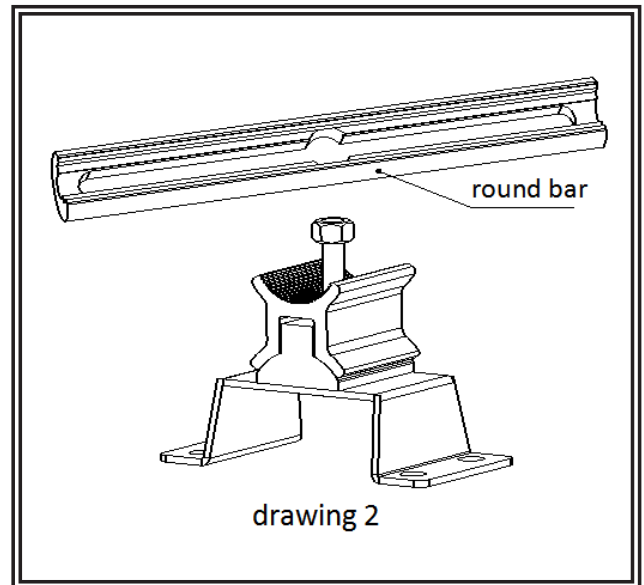
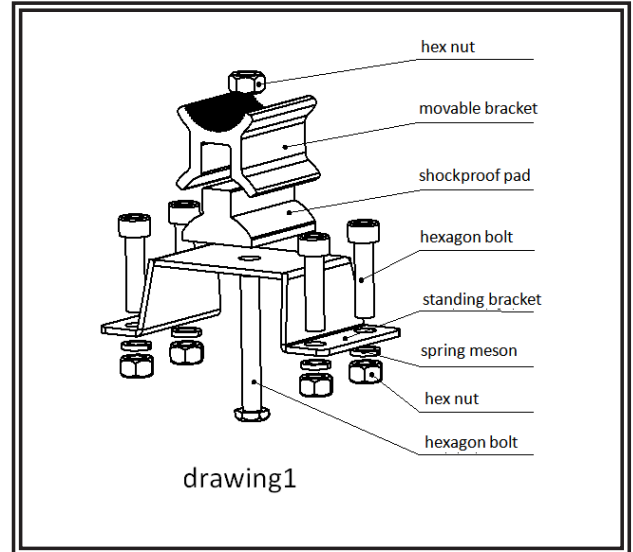
Installation (Pedestal Mount):

1. Attach the bolt through the hole and side bracket using the spring locking bolt. See drawing 1.
2. Select a mounting surface to match the diameter of the included bracket(s).
3. Put the shockproof pad on the mounting plate, then feed the hexagon bolt through the side of the bracket. Put the plain washers and locking spring washer on the bolt, then fasten it. See Drawing 2.
4. Connect the power line to the corresponding power connector.
5. Adjust beam location of the unit and tighten the lock nut with a wrench.



Installation (Pivot Mount):

1. First, put hexagon bolt through movable bracket, shockproof pad and the bracket, then fasten hex nut. See drawing 1.
2. Put two finished brackets into the bottom of bracket round bar, then adjust these two brackets in proper position, then fasten it. See drawing 2.
3. Put hexagon bolt through bracket and mounting plate, then put spring meson, then fasten nut. See Drawing 3.
4. Connect the power line to the corresponding power connector.



Wiring Instructions:

Black Wire: Ground
 Red Wire: Connect to fused power

		From Power Source				
	Current (A)	5	10	15	20	25
1 Voltage Drop	10	20 AWG	18 AWG	18 AWG	16 AWG	14 AWG
	20	18 AWG	16 AWG	14 AWG	12 AWG	12 AWG
	30	18 AWG	14 AWG	12 AWG	12 AWG	10 AWG
	40	16 AWG	12 AWG	12 AWG	10 AWG	10 AWG
	50	14 AWG	12 AWG	10 AWG	10 AWG	6 AWG
	60	14 AWG	12 AWG	10 AWG	8 AWG	8 AWG

Manufacturer Limited Warranty and Limitation of Liability:

Manufacturer warrants that on the date of purchase this product will conform to Manufacturer's specifications for this product (which are available from the Manufacturer upon request), and Manufacturer further warrants that this product is free from defects in materials and workmanship. This Limited Warranty extends for 36 months from the date of purchase. Other warranties may apply, call Manufacturer for details. Manufacturer will, at its discretion, repair or replace any product found by the Manufacturer to be defective and subject to this Limited Warranty.

DAMAGE TO PARTS OR PRODUCTS RESULTING FROM TAMPERING, ACCIDENT, ABUSE, MISUSE, NEGLIGENCE, UNAPPROVED MODIFICATIONS, FIRE OR OTHER HAZARD; IMPROPER INSTALLATION OR OPERATION; OR NOT BEING MAINTAINED IN ACCORDANCE WITH THE MAINTENANCE PROCEDURES SET FORTH IN MANUFACTURER'S INSTALLATION AND OPERATING INSTRUCTIONS VOIDS THIS LIMITED WARRANTY.

ORAL STATEMENTS OR REPRESENTATIONS ABOUT THE PRODUCT WHICH MAY HAVE BEEN MADE BY SALESPEOPLE, DEALERS, AGENTS OR OTHER MANUFACTURER'S REPRESENTATIVES DO NOT CONSTITUTE WARRANTIES. THIS LIMITED WARRANTY MAY NOT BE AMENDED, MODIFIED, OR ENLARGED EXCEPT BY A WRITTEN AGREEMENT SIGNED BY AN AUTHORIZED OFFICIAL OF MANUFACTURER WHICH EXPRESSLY REFERS TO THIS LIMITED WARRANTY.

Exclusion of Other Warranties: MANUFACTURER MAKES NO OTHER WARRANTIES, EXPRESS OR IMPLIED. THE IMPLIED WARRANTIES FOR MERCHANTABILITY OR FITNESS FOR A PARTICULAR PURPOSE ARE HEREBY EXCLUDED AND SHALL NOT APPLY TO THE PRODUCT. BUYER'S SOLE AND EXCLUSIVE REMEDY IN CONTRACT, TORT, OR UNDER ANY OTHER THEORY AGAINST MANUFACTURER REGARDING THE PRODUCT AND ITS USE SHALL BE THE REPLACEMENT OR REPAIR OF THE PRODUCT AS DESCRIBED ABOVE.

Limitation of Liability: IN THE EVENT OF LIABILITY FOR DAMAGES ARISING OUT OF THIS LIMITED WARRANTY OR ANY OTHER CLAIM RELATED TO THE MANUFACTURER'S PRODUCTS, MANUFACTURER'S LIABILITY FOR DAMAGES SHALL BE LIMITED TO THE AMOUNT PAID FOR THE PRODUCT AT THE TIME OF THE ORIGINAL PURCHASE. IN NO EVENT SHALL MANUFACTURER BE LIABLE FOR LOST PROFITS, THE COST OF SUBSTITUTE EQUIPMENT OR LABOR, PROPERTY DAMAGE, OR OTHER SPECIAL, CONSEQUENTIAL, OR INCIDENTAL DAMAGES BASED UPON ANY CLAIM FOR BREACH OF CONTRACT, IMPROPER INSTALLATION, NEGLIGENCE, OR OTHER CLAIM, EVEN IF MANUFACTURER OR A MANUFACTURER'S REPRESENTATIVE HAS BEEN ADVISED OF THE POSSIBILITY OF SUCH DAMAGES. MANUFACTURER SHALL HAVE NO FURTHER OBLIGATION OR LIABILITY WITH RESPECT TO THE PRODUCT OR ITS SALE, OPERATION AND USE, AND MANUFACTURER NEITHER ASSUMES NOR AUTHORIZES THE ASSUMPTION OF ANY OTHER OBLIGATION OR LIABILITY IN CONNECTION WITH SUCH PRODUCT.

This Limited Warranty defines specific legal rights. You may have other legal rights which vary from state to state. Some states do not allow the exclusion or limitation

 **CODE 3**[®]
 10986 North Warson Road
 St. Louis, MO 63114
 Customer Service
 (314) 426-2700
 cs-c3@code3esg.com
 www.code3esg.com

A Division of ESG | www.eccogroup.com