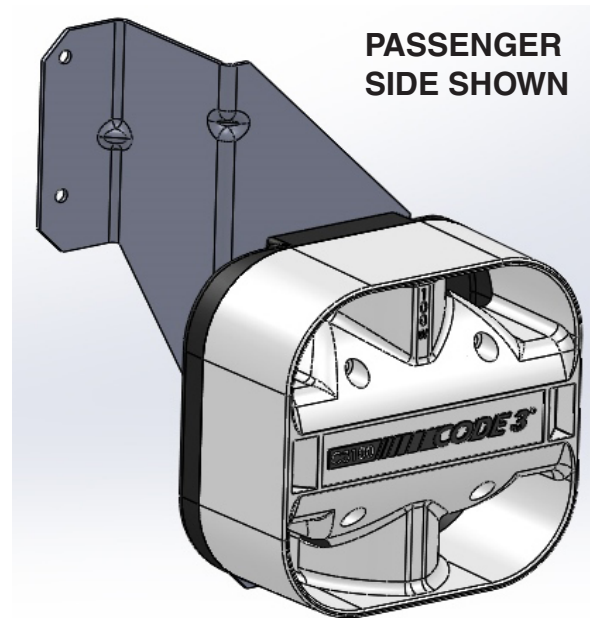


CODE 3® Installation and Operation Instructions C3100 SPEAKER MOUNTING

2016 FORD PI UTILITY



INSTALLATION PROCEDURE:

1. REMOVE FRONT FASCIA FROM VEHICLE

a. Care should be given to disconnect air flow sensor wire connectors behind forward section of both front wheel wells before removing fascia from vehicle mounting points. These must be reconnected when replacing fascia later.

b. If vehicle is built with factory supplied grill lighting option, then grill light wiring connectors must be disconnected at this time as well.



IMPORTANT:

Read all instructions and warnings before installing and using.

INSTALLER:

This manual must be delivered to the end user of this equipment.

2. ASSEMBLE SPEAKER TO MOUNTING BRACKET.

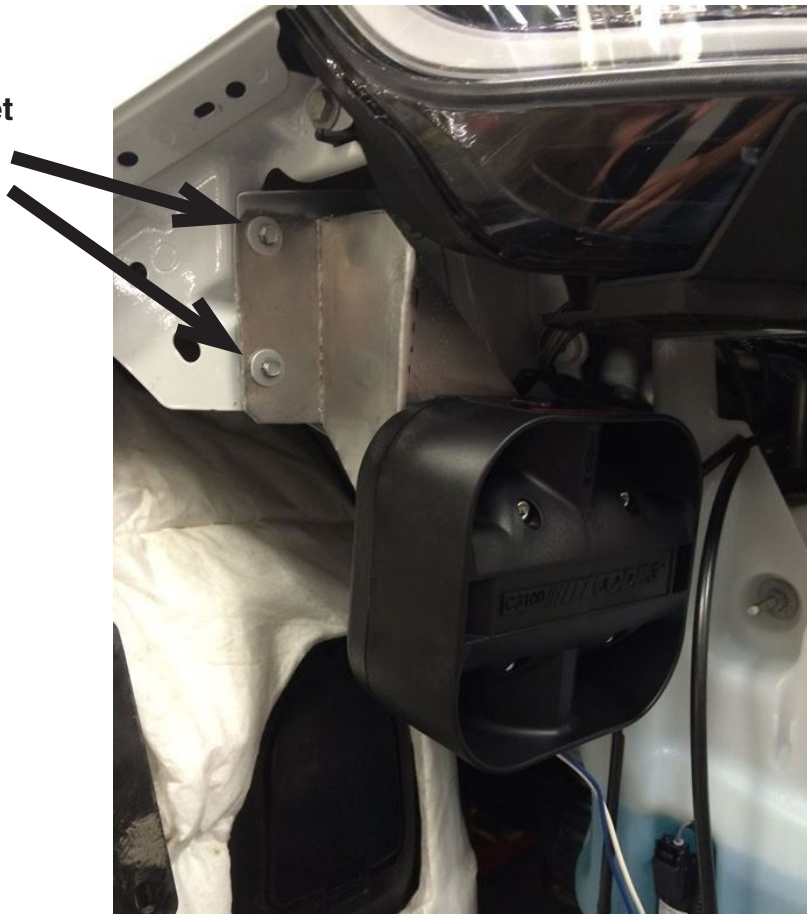
a. Speaker is mounted to bracket using (4) Stainless Steel screws provided in speaker kit from Code 3.

3. MOUNT SPEAKER ASSEMBLY TO VEHICLE.

b. Speaker brackets are installed onto vehicle frame using existing OEM fasteners located on the fender-to-frame support brackets located fwd of the front wheel wells in both the driver and passenger sides of the vehicle.

c. Brackets are mirror images for Passenger and Driver side applications

**Two OEM fasteners
used to mount bracket
to vehicle frame.**



Passenger side bracket installation shown.

4. Installation of other items such as Grille brackets should be performed at this time as well.
5. Replace front fascia on vehicle by replacing center front top fasteners to hold fascia in place while wire re-connections are made.
6. Re-connect air flow sensors in both front wheel wells and grill light connections if vehicle is equipped with factory provided grill lighting.
7. Replace fascia by re-installing hardware removed in reverse sequence from removal.



**COMPLETED
INSTALLATION, (prior to
re-installation of fascia.)**

PARTS LIST:

If C3100FX16-2 (Passenger Side Speaker Kit) is ordered:

NO:	PART NO:	DESCRIPTION:	QTY:
1.	S31365	Driver side brkt	1

If C3100FX16 (Driver Side Speaker Kit) is ordered:

NO:	PART NO:	DESCRIPTION:	QTY:
1.	S31364	Passenger side brkt	1

WARRANTY

This product was tested and found to be operational at the time of manufacture. Provided this product is installed and operated in accordance with the manufacturer's recommendations, CODE3, Inc. guarantees this product for a period of 5 years from the date of purchase or delivery, whichever is later (does not apply to lamps). Units demonstrated to be defective within the warranty period will be repaired or replaced at the factory service center at no cost.

Use of a lamp or other electrical load of a wattage higher than installed or recommended by the factory, or use of inappropriate or inadequate wiring or circuit protection causes this warranty to become void. Failure or destruction of the product resulting from abuse or unusual use and/or accidents is not covered by this warranty. Use of non-CODE 3 components and assemblies may cause damage to the system and/or personal injury, and voids all warranties.

CODE 3, Inc. shall in no way be liable for other damages including consequential, indirect or special damages whether loss is due to negligence or breach of warranty.

CODE 3, INC. MAKES NO OTHER EXPRESS OR IMPLIED WARRANTY INCLUDING, WITHOUT LIMITATION, WARRANTIES OF FITNESS OR MERCHANTABILITY, WITH RESPECT TO THIS PRODUCT.

PRODUCT RETURNS

In order to provide you with faster service, if you are going to return a product for repair or replacement*, please contact our factory to obtain a Return Goods Authorization Number (RGA number) before you ship the product to Code 3. Write the RGA number clearly on the package near the mailing label. Be sure you use sufficient packing materials to avoid damage to the product being returned while in transit.

*Code 3, Inc. reserves the right to repair or replace product at its discretion and assumes no responsibility or liability for expenses incurred for the removal and/or reinstallation of products requiring service and/or repair.

NEED HELP? Call our Technical Assistance HOTLINE - (314) 996-2800



10986 North Warson Road
St. Louis, MO 63114
Customer Service
(314) 426-2700
cs-c3@code3esg.com
www.code3esg.com

A Division of ESG | www.eccogroup.com