

LED SCENE LIGHT

37SCENE

46SCENE

79SCENE

37SCENE



46SCENE



79SCENE



Introduction

The 37SCENE, 46SCENE, 79SCENE LED Scene Lights are designed for the emergency vehicle market. The light heads are to be connected directly to +12 or +24 VDC systems. Models 37SCENE, 46SCENE & 79SCENE meet the requirements for use in NFPA 1901 or GSA K-Spec compliant lighting packages.

Consisting of an LED base unit, lens, o-ring, base gasket, bezel gasket, and mounting screws, these units are easy to install.

IMPORTANT! Read all instructions before installing and using. Installer: This manual must be delivered to the end user.

WARNING!

Failure to install or use this product according to manufacturer's recommendations may result in property damage, serious bodily/personal injury, and/or death to you and those you are seeking to protect!



Do not install and/or operate this safety product unless you have read and understand the safety information contained in this manual.

1. The use of this or any warning device does not insure that all drivers can or will observe or react to an emergency warning signal. Never take the right-of-way for granted. It is your responsibility to be sure you can proceed safely before entering an intersection, driving against traffic, responding at a high rate of speed, or walking on or around traffic lanes.
2. The effectiveness of this warning device is highly dependent upon correct mounting and wiring. Read and follow the manufacturer's instructions before installing or using this device. The vehicle operator should insure daily that all features of the device operate correctly. In use, the vehicle operator should insure the projection of the warning signal is not blocked by vehicle components (i.e. open trunks or compartment doors), people, vehicles, or other obstructions.
3. This equipment is intended for use by authorized personnel only. It is the user's responsibility to understand and obey all laws regarding emergency warning devices. The user should check all applicable city, state and federal laws and regulations.
4. Code 3, Inc., assumes no liability for any loss resulting from the use of this warning device. Proper installation is vital to the performance of this warning device and the safe operation of the emergency vehicle. It is important to recognize that the operator of the emergency vehicle is under psychological and physiological stress caused by the emergency situation. The warning device should be installed in such a manner as to: A) Not reduce the output performance of the system; B) Place the controls within convenient reach of the operator so that he/she can operate the system without losing eye contact with the roadway.
5. Emergency warning devices often require high electrical voltages and/or currents. Properly protect and use caution around live electrical connections. Grounding or shorting of electrical connections can cause high current arcing, which can cause personal injury and/or severe vehicle damage, including fire. Wait 10 minutes after turning off the power from system before touching any internal components.
6. Always wear hand and eye protection when handling electrical components.
7. **PROPER INSTALLATION COMBINED WITH OPERATOR TRAINING IN THE PROPER USE OF EMERGENCY WARNING DEVICES IS ESSENTIAL TO INSURE THE SAFETY OF EMERGENCY PERSONNEL AND THE PUBLIC.**

Unpacking and Pre-Installation

Carefully remove the light head from its protective packaging. Inspect the unit for transit damage. Report any damage to the carrier and keep the shipping carton. Verify the contents of the package (refer to Figures 6 & 7 on page 6).

Installation

1. There are several mounting methods for the LED Scene Lights as listed below.

Note: For all mounting methods verify that there is sufficient clearance behind the vehicles mounting panel to avoid damage when drilling the mounting holes and cable clearance holes. In all cases drill the cable hole sized appropriately for a customer supplied grommet. Always use appropriate customer supplied sealer around the grommet and wires to seal out moisture and exhaust gasses.

Method A - Light Head & Base Gasket Only with #10 X 3/4" Phillips Pan Head Sheet Metal Screws. Drill (4) mounting holes in the vehicles panel sized appropriately for a number #10 Sheet metal screw at the (4) outer mounting hole locations (see the appropriate Figure 2, 3 or 4 on pages 5 and 6 for the light head you are installing). Drill an appropriate sized cable hole & install & seal a customer supplied grommet. Feed the light head wires through the base gasket and grommet in the vehicle's mounting panel. Make sure the drain hole in the gasket is oriented at the bottom and mount the light head base and base gasket to the vehicle using (4) of the supplied #10 sheet metal screws. Make sure the lens gasket is in place & using the remaining (4) #10 sheet metal screws mount the lens to the base. See Figure 6 on page 4.

Method B - Light Head, Chrome Bezel & Bezel Gasket (Both Sold Separately). Mounted with #10 X 3/4" Phillips Pan Head Sheet Metal Screws. Drill (4) mounting holes in the vehicles panel sized appropriately for a number #10 Sheet metal screw at the (4) outer mounting hole locations (see the appropriate Figure 2, 3 or 4 on pages 5 and 6 for the light head you are installing). Drill an appropriate sized cable hole & install & seal a customer supplied grommet. Feed the light head wires through the chrome bezel, bezel gasket, & then through grommet in the vehicles mounting panel. Make sure the drain hole in the gasket & bezel is oriented at the bottom & mount the light head base, chrome bezel & bezel gasket to the vehicle using (4) of the supplied #10 sheet metal screws. Make sure the lens gasket is in place & mount the lens to the base using the remaining (4) #10 sheet metal screws as shown in Figure 7 on page 4. Discard the item #4 light head base gasket shown in Figure 6 on page 4.

Method C - Light Head & Base Gasket. Mounted with #8 X 1 1/2" Phillips Pan Head Sheet Metal Screws. Drill an appropriate sized cable hole for a customer supplied grommet at the center of the area you are mounting the light head to facilitate using the light head base as a template. Feed the light head wires through the hole in the vehicle's mounting panel and position the light head against the mounting surface at the desired location. Using the (4) inner lens mounting hole locations in the light head base (Note these are the holes with the tall bosses around them), mark the hole locations on the vehicles mounting surface. Remove the light head base & drill the (4) mounting holes in the vehicle's panel sized appropriately for a number #8 Sheet metal screw. Install & seal a customer supplied grommet. Make sure the lens gasket is in place. Make sure the drain hole in the gasket is oriented at the bottom & mount the light head lens, light head base & base gasket to the vehicle using (4) of the supplied #8 X 1 1/2" sheet metal screws. See Figure 6 on page 4.

Method D - Light Head, Chrome Bezel & Bezel Gasket (Both Sold Separately). Mounted with #8 X 1 1/2" Phillips Pan Head Sheet Metal Screws. Drill an appropriate sized cable hole for a customer supplied grommet at the center of the area you are mounting the light head to facilitate using the light head base as a template. Feed the light head wires through the hole in the vehicle's mounting panel and position the light head against the mounting surface at the desired location. Using the (4) inner lens mounting hole locations in the light head base (Note these are the holes with the tall bosses around them), mark the hole locations on the vehicle's mounting surface. Remove the light head base & drill the (4) mounting holes in the vehicle's panel sized appropriately for a number #8 Sheet metal screw. Install and seal a customer supplied grommet. Make sure the lens gasket is in place. Make sure the drain hole in the gasket & bezel is oriented at the bottom & mount the light head lens, light head base, chrome bezel and bezel gasket to the vehicle using (4) of the supplied #8 X 1 1/2" sheet metal screws as shown in Figure 7 on page 4. Discard the item #4 light head base gasket shown in Figure 6 on page 4.

Method E - Mounting to Die Cast Aluminum Bezel (Sold Separately). Discard the light head base gasket item #4 shown in Figure 6 on page 4. Mount the light head base to the die cast aluminum bezel with the supplied (4) #10 - 32 X 1/2" Phillips Pan Head Machine Screws (The #10 - 32 X 1/2" machine screws are included with the die cast aluminum bezel). Mount the lens to the base using the supplied (4) #10 sheet metal screws.

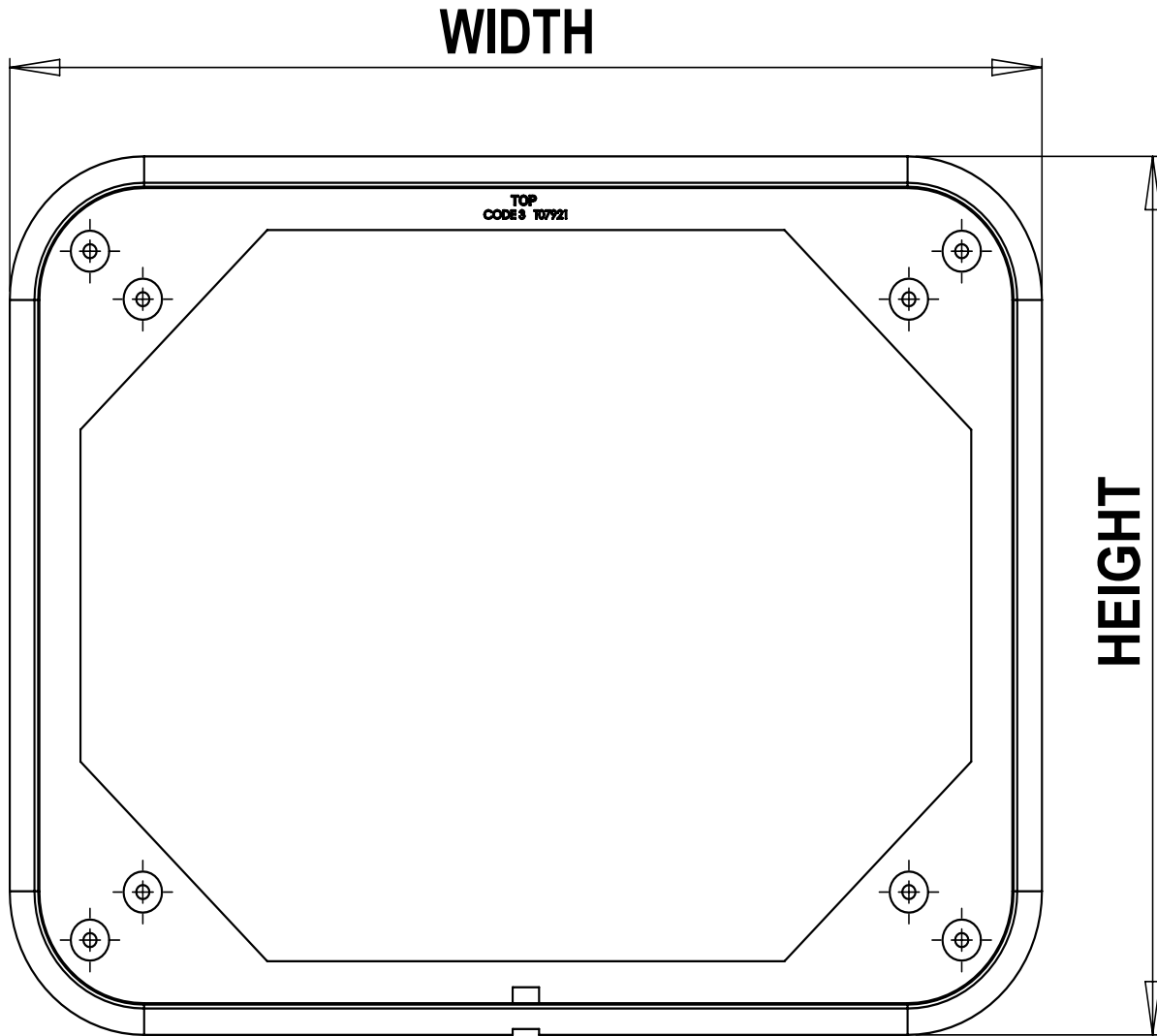
Method F - Double Sided Tape Mounting. Drill an appropriate sized cable hole, install & apply sealer to a customer supplied grommet. Discard the item # 4 light head base gasket shown in Figure 6 on page 4. Apply customer supplied, high bond strength, double sided tape to the mounting surface of the light head. Feed the light head wires through the grommet in the vehicles mounting panel. Mount the light head base by positioning the light head as desired & pressing the tape firmly to the vehicles mounting surface. Make sure the lens gasket is in place & fasten the lens to the light head base using (4) of the supplied #10 Phillips pan head sheet metal screws (see Figure 6 on page 4).

2. Route and connect customer supplied wires and allow a minimum of 3 inches of slack at each light head location. Use 18 AWG for wires up to 40 feet length, 16 AWG for wires up to 70 feet length.

Connect the light head's black and red wires to the vehicle system's ground and positive (+12 or +24 VDC), respectively.

LED Perimeter Light Models	Wire Function	
	Red	Black
Models 37SCENE, 46SCENE, 79SCENE	+12 or +24	Ground

3. Verify proper light head operation by supplying electrical power to the system wires at the power source end of the cable.



MODEL	WIDTH	HEIGHT
37SCENE WITHOUT BEZEL	7.84"	3.67"
46SCENE WITHOUT BEZEL	7.09"	4.67"
79SCENE WITHOUT BEZEL	9.77"	7.78"
37SCENE	9.17"	5.00"
46SCENE	8.42"	6.00"
79SCENE	11.10"	9.11"

FIGURE 1
Gasket Dimensions
(For Layout Purposes Only. Do Not Scale.)

Power Requirements

LED Perimeter Lights are designed to be long life, full signal, light weight and low current draw.

The following table lists the number of LED's in each model and the average current draw for various conditions.

CODE 3 LED Perimeter Light Models	Number of LED'S	Average Current Draw, AMPS	
		Steady Burn 13.8VDC	Steady Burn 24.0VDC
37SCENE	10	3.0	1.5
46SCENE	12	3.3	1.7
79SCENE	14	3.8	1.9

Parts & Exploded Views

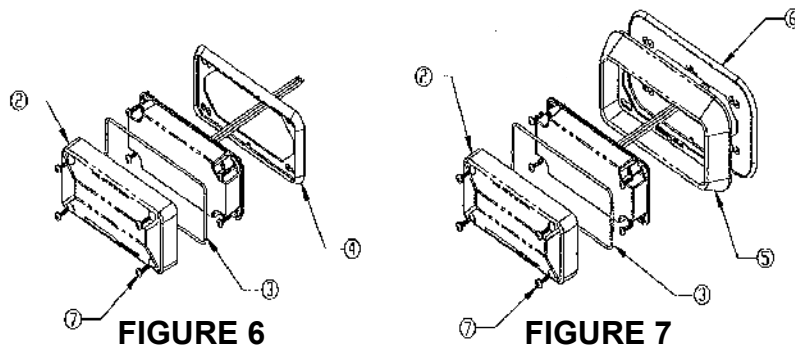
Standard Unit, Figure-5	2	3	4*	5*	6*
Code 3 Model Number - Description	Lens	Lens O-Ring	Gasket	Bezel	Bezel Gasket
37SCENE	250-0373-00	T07925	T07919	T07916	T07922
46SCENE	250-0374-00	T07926	T07920	T07917	T07923
79SCENE	250-0375-00	T07927	T07921	T07918	T07924

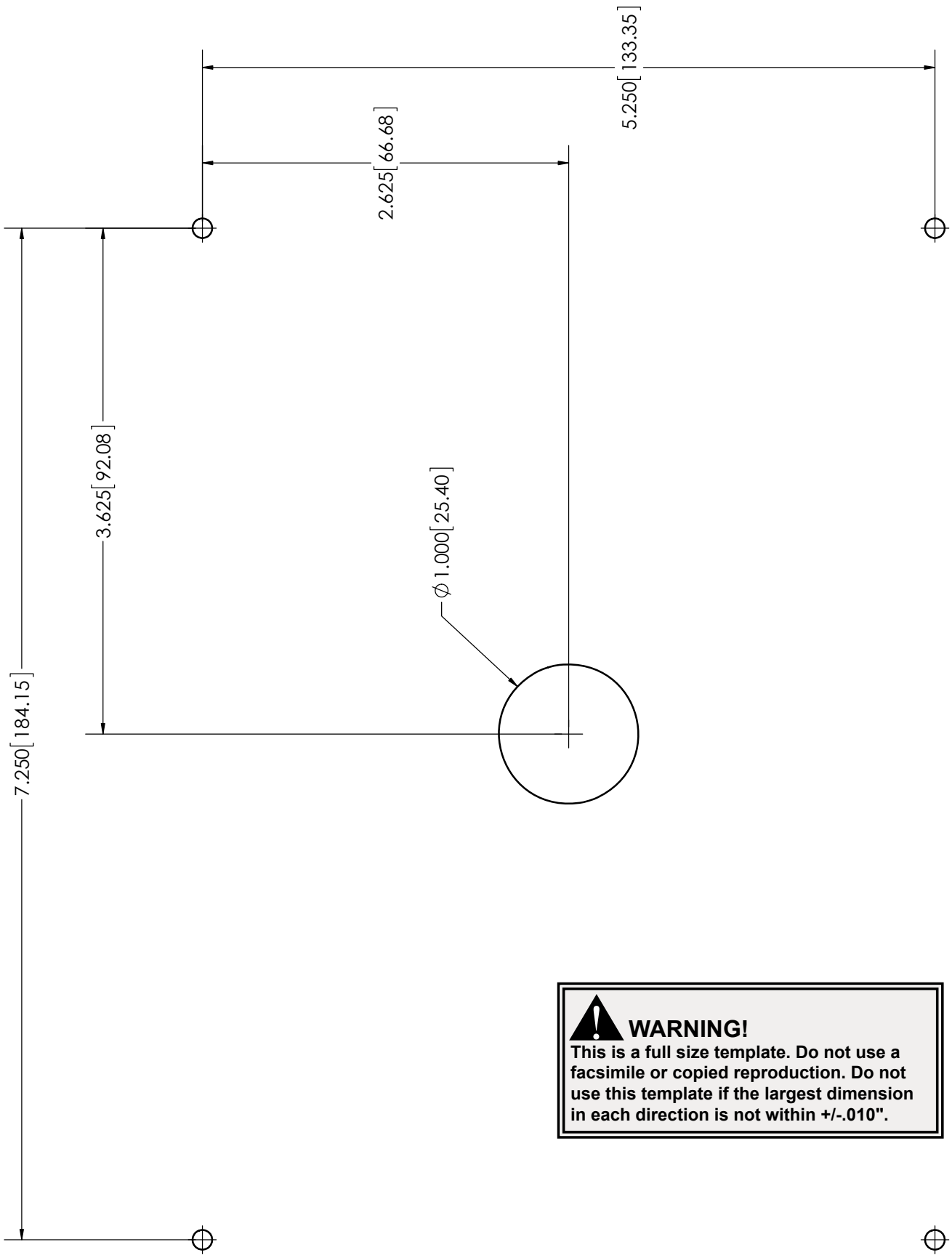
*** Gasket, item 4, only used for units without a bezel.
Bezel, item 5, and Bezel Gasket, item 6, only used for Bezeled Units.**

Maintenance

The lens is field removable for cleaning or replacement. Remove the lens by unscrewing the four corner lens screws. Use mild detergent, warm water and a soft cloth to clean both surfaces of the lens. Use of any other chemicals may void product warranty. Thoroughly dry before reinstalling.

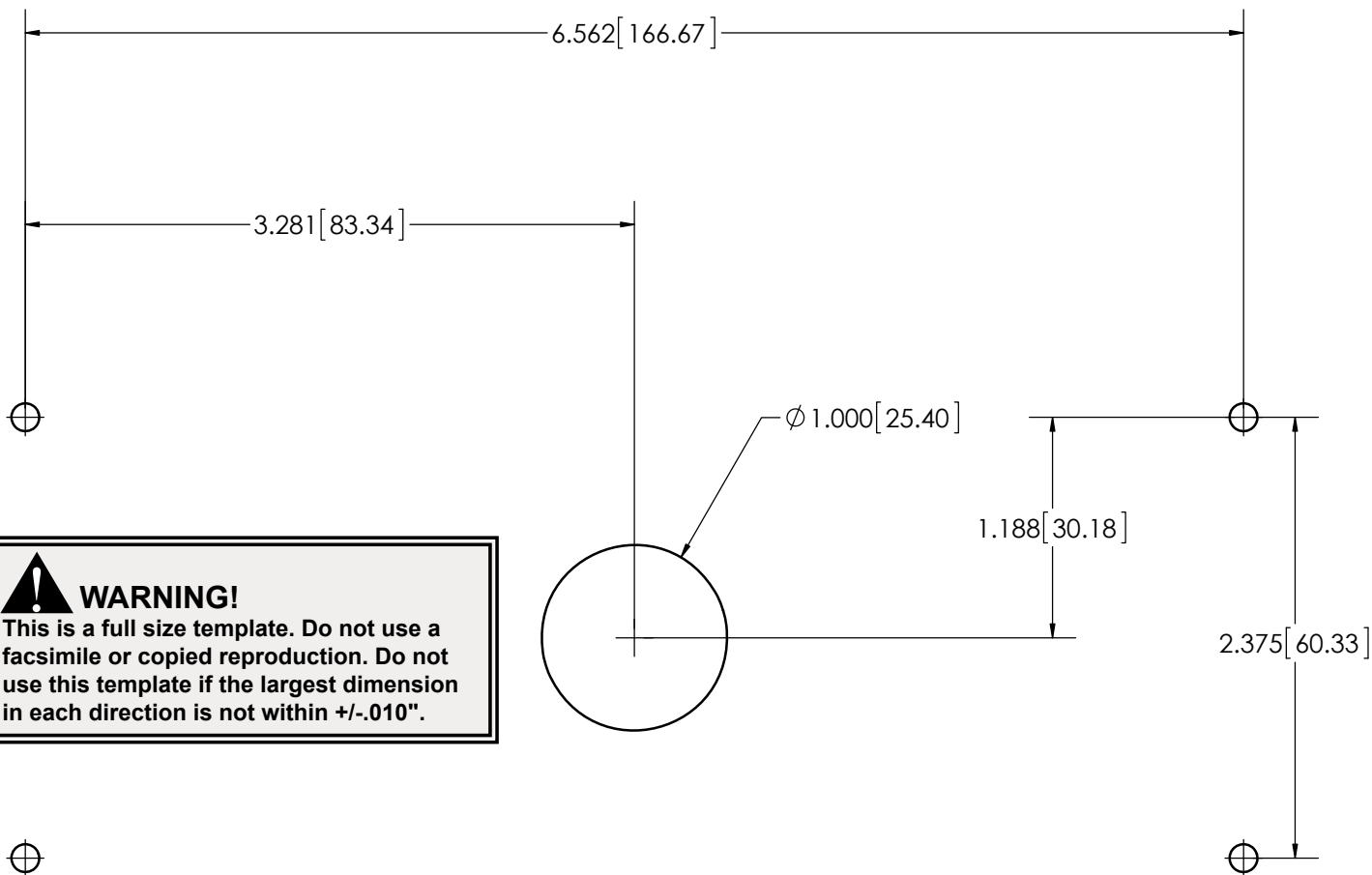
Because plastic scratches easily, cleaning is only recommended when necessary. Do not subject the lenses to car washes that use brushes as these will scratch the lenses. Do not use a pressure washer.





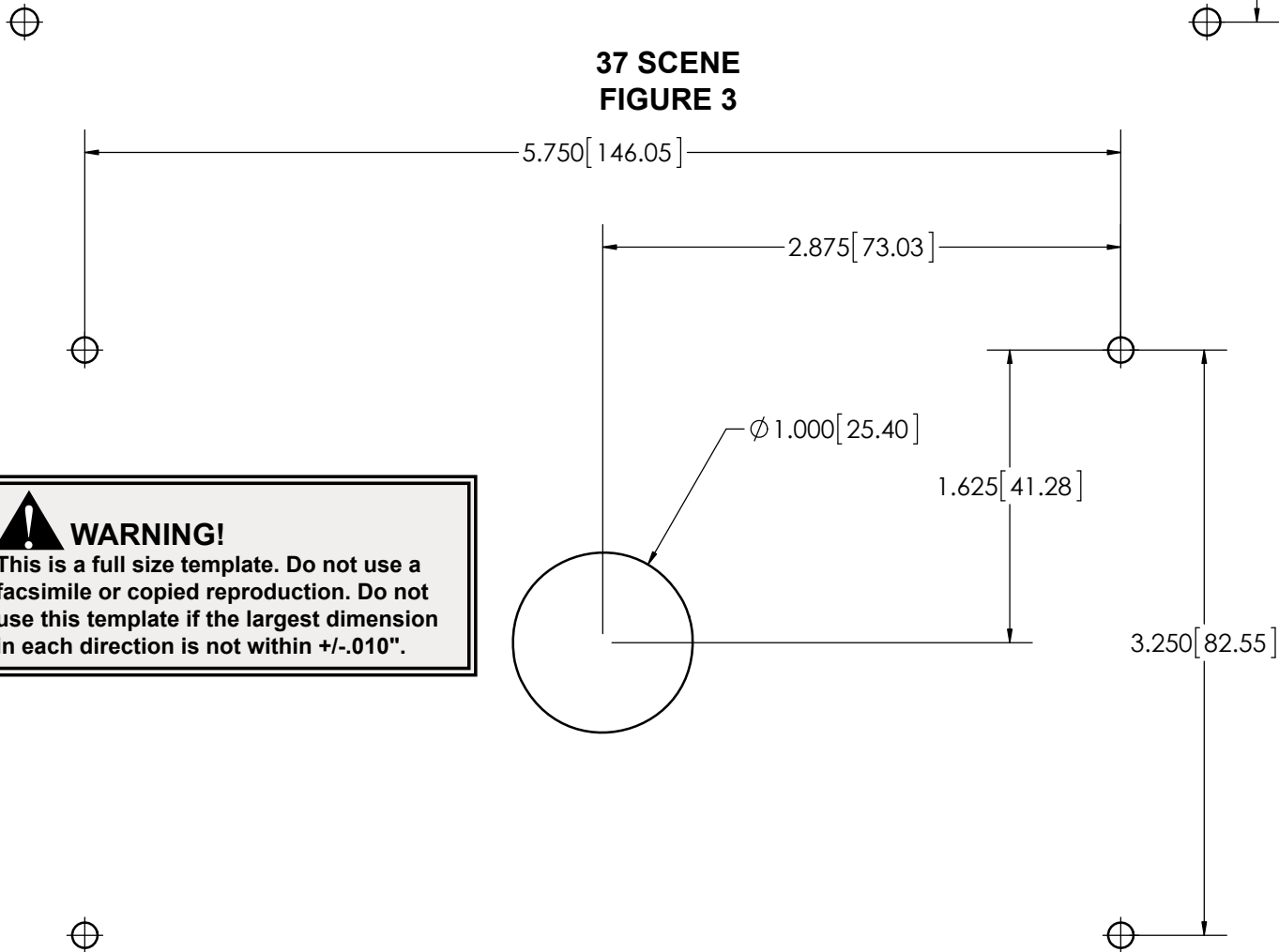
WARNING!
 This is a full size template. Do not use a facsimile or copied reproduction. Do not use this template if the largest dimension in each direction is not within +/- .010".

**79 SCENE
 FIGURE 2**



WARNING!
 This is a full size template. Do not use a facsimile or copied reproduction. Do not use this template if the largest dimension in each direction is not within +/- .010".

**37 SCENE
 FIGURE 3**



WARNING!
 This is a full size template. Do not use a facsimile or copied reproduction. Do not use this template if the largest dimension in each direction is not within +/- .010".

**46 SCENE
 FIGURE 4**

Notes:

Manufacturer Limited Warranty Policy:

Manufacturer warrants that on the date of purchase this product will conform to Manufacturer's specifications for this product (which are available from the Manufacturer upon request). This Limited Warranty extends for Sixty (60) months from the date of purchase.

DAMAGE TO PARTS OR PRODUCTS RESULTING FROM TAMPERING, ACCIDENT, ABUSE, MISUSE, NEGLIGENCE, UNAPPROVED MODIFICATIONS, FIRE OR OTHER HAZARD; IMPROPER INSTALLATION OR OPERATION; OR NOT BEING MAINTAINED IN ACCORDANCE WITH THE MAINTENANCE PROCEDURES SET FORTH IN MANUFACTURER'S INSTALLATION AND OPERATING INSTRUCTIONS Voids THIS LIMITED WARRANTY.

Exclusion of Other Warranties:

MANUFACTURER MAKES NO OTHER WARRANTIES, EXPRESS OR IMPLIED. THE IMPLIED WARRANTIES FOR MERCHANTABILITY, QUALITY OR FITNESS FOR A PARTICULAR PURPOSE, OR ARISING FROM A COURSE OF DEALING, USAGE OR TRADE PRACTICE ARE HEREBY EXCLUDED AND SHALL NOT APPLY TO THE PRODUCT AND ARE HEREBY DISCLAIMED, EXCEPT TO THE EXTENT PROHIBITED BY APPLICABLE LAW. ORAL STATEMENTS OR REPRESENTATIONS ABOUT THE PRODUCT DO NOT CONSTITUTE WARRANTIES.

Remedies and Limitation of Liability:

MANUFACTURER'S SOLE LIABILITY AND BUYER'S EXCLUSIVE REMEDY IN CONTRACT, TORT (INCLUDING NEGLIGENCE), OR UNDER ANY OTHER THEORY AGAINST MANUFACTURER REGARDING THE PRODUCT AND ITS USE SHALL BE, AT MANUFACTURER'S DISCRETION, THE REPLACEMENT OR REPAIR OF THE PRODUCT, OR THE REFUND OF THE PURCHASE PRICE PAID BY BUYER FOR NON-CONFORMING PRODUCT. IN NO EVENT SHALL MANUFACTURER'S LIABILITY ARISING OUT OF THIS LIMITED WARRANTY OR ANY OTHER CLAIM RELATED TO THE MANUFACTURER'S PRODUCTS EXCEED THE AMOUNT PAID FOR THE PRODUCT BY BUYER AT THE TIME OF THE ORIGINAL PURCHASE. IN NO EVENT SHALL MANUFACTURER BE LIABLE FOR LOST PROFITS, THE COST OF SUBSTITUTE EQUIPMENT OR LABOR, PROPERTY DAMAGE, OR OTHER SPECIAL, CONSEQUENTIAL, OR INCIDENTAL DAMAGES BASED UPON ANY CLAIM FOR BREACH OF CONTRACT, IMPROPER INSTALLATION, NEGLIGENCE, OR OTHER CLAIM, EVEN IF MANUFACTURER OR A MANUFACTURER'S REPRESENTATIVE HAS BEEN ADVISED OF THE POSSIBILITY OF SUCH DAMAGES. MANUFACTURER SHALL HAVE NO FURTHER OBLIGATION OR LIABILITY WITH RESPECT TO THE PRODUCT OR ITS SALE, OPERATION AND USE, AND MANUFACTURER NEITHER ASSUMES NOR AUTHORIZES THE ASSUMPTION OF ANY OTHER OBLIGATION OR LIABILITY IN CONNECTION WITH SUCH PRODUCT.

This Limited Warranty defines specific legal rights. You may have other legal rights which vary from jurisdiction to jurisdiction. Some jurisdictions do not allow the exclusion or limitation of incidental or consequential damages.

Product Returns:

If a product must be returned for repair or replacement*, please contact our factory to obtain a Return Goods Authorization Number (RGA number) before you ship the product to Code 3®, Inc. Write the RGA number clearly on the package near the mailing label. Be sure you use sufficient packing materials to avoid damage to the product being returned while in transit.

*Code 3®, Inc. reserves the right to repair or replace at its discretion. Code 3®, Inc. assumes no responsibility or liability for expenses incurred for the removal and /or reinstallation of products requiring service and/or repair.; nor for the packaging, handling, and shipping; nor for the handling of products returned to sender after the service has been rendered.



10986 North Warson Road
St. Louis, MO 63114

Technical Service

(314) 996-2800

c3_tech_support@code3esg.com

www.code3esg.com

An ECCO SAFETY GROUP™ Company

www.eccosafetygroup.com