

CODE 3® Installation and Operation Instructions **HEADLINER LIGHT BRACKET**

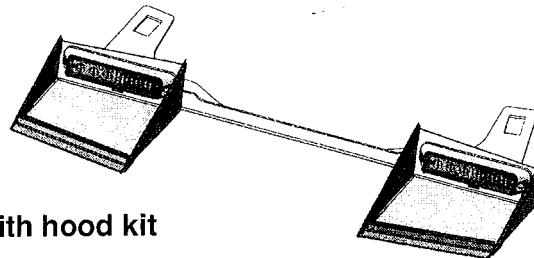
2015 DODGE CHARGER

**MR 6 LIGHT HEADS SOLD
SEPARATELY**

**CONTACT YOUR DEALER FOR
LIGHT CONFIGURATIONS
AVAILABLE.**



**standard headliner bracket
without hood kit installed**



**shown with hood kit
installed**

INSTALLATION PROCEDURE:

1. Swing Passenger side and Driver side sun visors to the side windows of the vehicle.
2. With small flat blade screwdriver, open screw access panel on bottom of both inside visor clips.
3. Using a #15 torx screwdriver, remove and discard (2) #8 - .625 long screw from each inside visor clip assembly. Re-installation of clip assemblies will use (2) #8 - 1.0 long screws provided in kit.
4. Remove inside clip from ceiling on both Driver and Passenger sides.
5. Install MR6 light heads onto bracket assembly and wire as desired. (4) #6-32 .625 screws and (4) keps nuts provided in kit should be used to install light heads onto bracket. (NOTE: if optional hood kit is used, install light heads to the hoods using the upper holes, then install the hoods using the slotted holes to the bracket. See page 2 for more details).
6. Place Headliner light assembly up into windshield and align rectangular openings with visor clip openings in ceiling.
7. Re-install Driver and Passenger Inside visor clips using the longer 1" #8 Phillips Truss HD screws. It is better to install both sides loosely at first, then tighten each simultaneously to evenly set the pressure upward on the headliner. Once bracket is fully tightened to ceiling, check the hood's fit to windshield. If not satisfactory then remove and readjust hood attachment to the headliner bracket.
8. Rotate sun visors back into the inside clips on the ceiling.

IMPORTANT:

Read all instructions and warnings before installing and using.

INSTALLER:

This manual must be delivered to the end user of this equipment.

INSTALLATION PROCEDURE WITH OPTIONAL HOOD KIT:

1. Fit the MR6 light heads to the hoods using the two upper holes provided and being sure to guide the wiring through the center hole. Install the light heads with (4) #6-32 x .625 screws and (4) keps nuts provided in kit.

2. Install the hood and light head assembly to the headliner bracket using the slotted holes with (4) #6-32 x .625 screws and (4) keps nuts provided in kit. Note the hoods should be arranged so the longer edges face the center. Align the bottom of each hood to the bottom of the headliner brackets as shown below and tighten. Further adjustment may be necessary after checking fit to the windshield when the headliner bracket is installed.

Continue with Step 6 on Page 1.

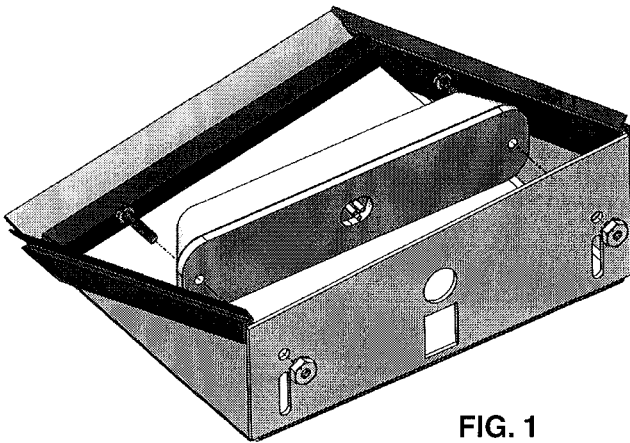
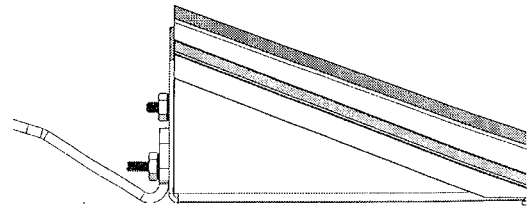


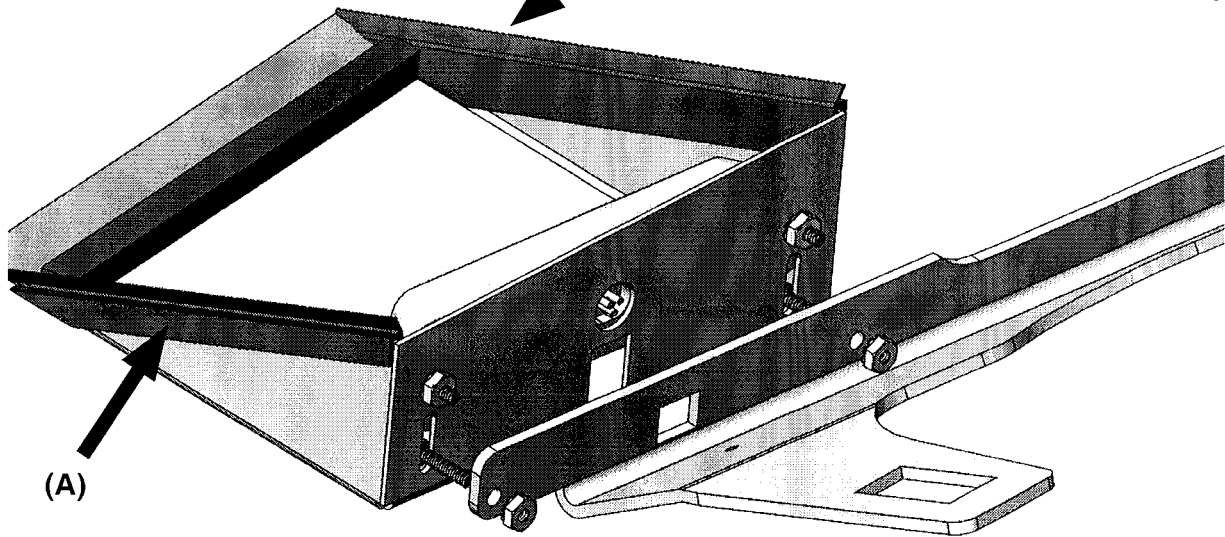
FIG. 1

FIG. 2



Hood assy. Long side

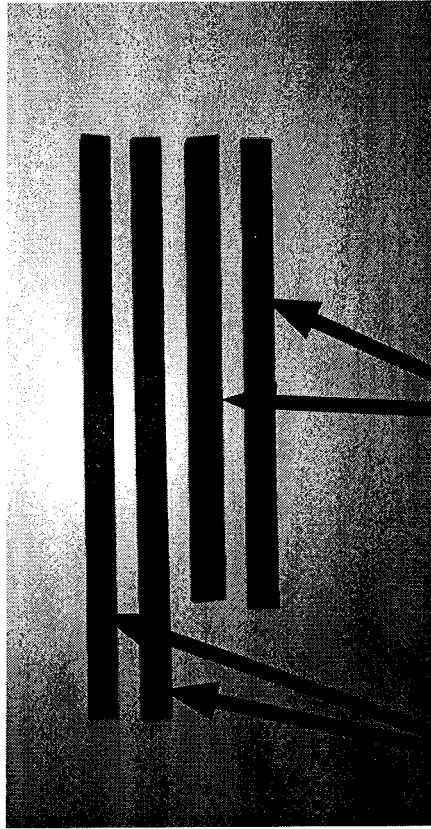
(B)



Hood assy. Short side

FIG. 3

OPTIONAL WINDSHIELD HOOD SIDE GASKETING



OPTIONAL SIDE GASKET
(A) (SHORT SIDES)
see FIG. 3 previous page
and FIG 4. below for
placement.

OPTIONAL SIDE GASKET
(B) (LONG SIDES)
see FIG. 3 previous page
and FIG 4. below for
placement.

Additional gasket has been provided for use if desired. The adhesive back gasket can be applied at the outside edges of the existing short and long sides of the existing hood assembly if desired. The placement of these additional gaskets should be pressed along the mating surfaces of the hood side gaskets and the windshield as shown in FIG. 4 to the right.



NOTES

FIG. 4

--

WARRANTY

This product was tested and found to be operational at the time of manufacture. Provided this product is installed and operated in accordance with the manufacturer's recommendations, CODE3, Inc. guarantees this product for a period of 5 years from the date of purchase or delivery, whichever is later (does not apply to lamps). Units demonstrated to be defective within the warranty period will be repaired or replaced at the factory service center at no cost.

Use of a lamp or other electrical load of a wattage higher than installed or recommended by the factory, or use of inappropriate or inadequate wiring or circuit protection causes this warranty to become void. Failure or destruction of the product resulting from abuse or unusual use and/or accidents is not covered by this warranty. Use of non-CODE 3 components and assemblies may cause damage to the system and/or personal injury, and voids all warranties.

CODE 3, Inc. shall in no way be liable for other damages including consequential, indirect or special damages whether loss is due to negligence or breach of warranty.

CODE 3, INC. MAKES NO OTHER EXPRESS OR IMPLIED WARRANTY INCLUDING, WITHOUT LIMITATION, WARRANTIES OF FITNESS OR MERCHANTABILITY, WITH RESPECT TO THIS PRODUCT.

PRODUCT RETURNS

In order to provide you with faster service, if you are going to return a product for repair or replacement*, please contact our factory to obtain a Return Goods Authorization Number (RGA number) before you ship the product to Code 3. Write the RGA number clearly on the package near the mailing label. Be sure you use sufficient packing materials to avoid damage to the product being returned while in transit.

*Code 3, Inc. reserves the right to repair or replace product at its discretion and assumes no responsibility or liability for expenses incurred for the removal and/or reinstallation of products requiring service and/or repair.

NEED HELP? Call our Technical Assistance HOTLINE - (314) 996-2800

 **CODE 3**[®]

10986 North Warson Road
St. Louis, MO 63114
Customer Service
(314) 426-2700
cs-c3@code3esg.com
www.code3esg.com

A Division of ESG | www.eccogroup.com