



Installation and Operation Instructions FORD PI UTILITY MR6 MARKER LIGHT



Ford provided side marker mounting platform on rear of headlight assembly.



MARKER LIGHT
INSTALLATION LOCATION

Consult Ford upfitter guide for removal of front fascia from vehicle.

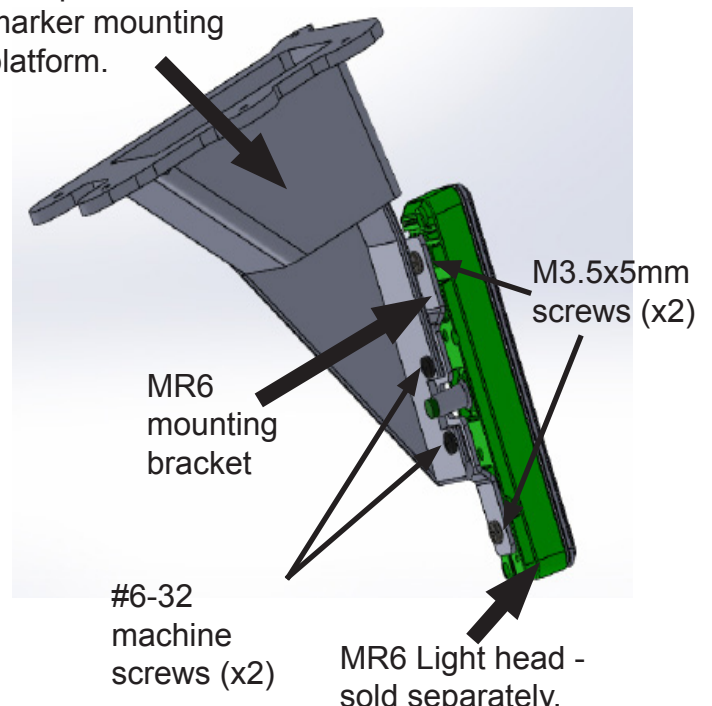
Note: While front fascia is removed from vehicle, additional equipment such as Chase grill lights, C3100 speakers, Button Blast light heads and other front end emergency accessories should be scheduled for installation as well.

Please consult MR6 light head installation manual for flash patterns synchronization instructions and wiring instructions for the light heads being installed.

MOUNTING SEQUENCE:

1. Bracket is installed on light head using (2) M3.5 X5mm screws placed into the outboard mounting holes of bracket & into light head base.
2. Bracket & light head assy is installed onto mounting platform using (2) split washers & (2) #6-32 machine screws placed into the pemserts located in the inboard mounting holes of bracket.

Ford provided side marker mounting platform.





WARNING!

Failure to install or use this product according to manufacturers recommendations may result in property damage, serious injury, and/or death to those you are seeking to protect!



Do not install and/or operate this safety product unless you have read and understand the safety information contained in this manual.

1. Proper installation combined with operator training in the use, care, and maintenance of emergency warning devices are essential to ensure the safety of you and those you are seeking to protect.
2. Exercise caution when working with live electrical connections.
3. This product must be properly grounded. Inadequate grounding and/or shorting of electrical connections can cause high current arcing, which can cause personal injury and/or severe vehicle damage, including fire.
4. Proper placement and installation are vital to the performance of this warning device. Install this product so that output performance of the system is maximized and the controls are placed within convenient reach of the operator so that s/he can operate the system without losing eye contact with the roadway.
5. Do not install this product or route any wires in the deployment area of an air bag. Equipment mounted or located in an air bag deployment area may reduce the effectiveness of the air bag or become a projectile that could cause serious personal injury or death. Refer to the vehicle owner's manual for the air bag deployment area. It is the responsibility of the user/operator to determine a suitable mounting location ensuring the safety of all passengers inside the vehicle particularly avoiding areas of potential head impact.
6. It is the responsibility of the vehicle operator to ensure during use that all features of this product work correctly. In use, the vehicle operator should ensure the projection of the warning signal is not blocked by vehicle components (i.e., open trunks or compartment doors), people, vehicles or other obstructions.
7. The use of this or any other warning device does not ensure all drivers can or will observe or react to a warning signal. Never take the right-of-way for granted. It is your responsibility to be sure you can proceed safely before entering an intersection, driving against traffic, responding at a high rate of speed, or walking on or around traffic lanes.
8. This equipment is intended for use by authorized personnel only. The user is responsible for understanding and obeying all laws regarding warning signal devices. Therefore, the user should check all applicable city, state, and federal laws and regulations. The manufacturer assumes no liability for any loss resulting from the use of this warning device.

CONTENTS:

1	Light Head
1	Multi-Mount Base: Includes- 2- 4x15 Sheet metal screws 2- Split washers 2- M3.5x10 screws 2- M3 washers
1	Adhesive Pad
1	Edge Mount Bracket: Includes- 2- M3.5x10 screws
1	Surface Mount Bezel: Includes- 2- 4x15 Sheet metal screws 1- EVA foam gasket



SPECIFICATIONS:

Input Voltage	12-24VDC
Work Current	MR6 = 0.9A Max @ DC12V MR6MC = 1.5A Max @ DC12V

Wire: MR6

RED: Positive(need to add 2A Fuse)
 BLACK: Negative
 BLUE: Pattern Switch
 YELLOW: Synchronized Function
 (Up to 8 units can be Synchronized)

Operation Environment:

Ambient Temperature: -30 to 50°C

Important! This unit is a safety device and it must be connected to its own separate, fused power point to assure its continued operation should any other electrical accessory fail.

Wire: MR6MC

RED: Positive, Colors 2 & 4 (need to add 5A Fuse)
 WHITE: Positive, Colors 1 & 3 (need to add 5A Fuse)
 BLACK: Negative
 BLUE: Pattern Select to negative
 YELLOW: Synchronized Function
 (Up to 8 units can be Synchronized)

MR6 and MR6MC directional LEDs are bright and versatile warning lights that are suited to a wide variety of applications. Their low profile, narrow shape and multiple mounting options make them easy to install virtually anywhere on a vehicle. The four mounting options (surface, edge, self-adhesive and permanent) and 30 degrees of adjustable pivoting provide superior flexibility when positioning the lights for optimum warning capability. Both models offer multiple flash patterns and multiple units can be synchronized to operate either simultaneously or alternately with each other.

MR6 models feature 6 LEDs and are available in either single color or split-color* (3 LEDs of each color) combinations with optics that provide single-axis light output. The MR6MC is a dual-color* light featuring 12 LEDs (6 of each color) and is available in 7 color configurations with optics that offer wider, off-axis coverage.

* Split Color = One horizontal row of LEDs is split 50/50 between the two colors (only one half of the light can illuminate in each color). Dual Color = Two horizontal rows of LEDs (one of each color) span the width of the light (the entire light can illuminate in each color)

Installation Notes:

Manufacturer Limited Warranty and Limitation of Liability:

Manufacturer warrants that on the date of purchase this product will conform to Manufacturer's specifications for this product (which are available from the Manufacturer upon request), and Manufacturer further warrants that this product is free from defects in materials and workmanship. This Limited Warranty extends for thirty-six (36) months from the date of purchase. Other warranties may apply, call Manufacturer for details. Manufacturer will, at its discretion, repair or replace any product found by the Manufacturer to be defective and subject to this Limited Warranty.

DAMAGE TO PARTS OR PRODUCTS RESULTING FROM TAMPERING, ACCIDENT, ABUSE, MISUSE, NEGLIGENCE, UNAPPROVED MODIFICATIONS, FIRE OR OTHER HAZARD; IMPROPER INSTALLATION OR OPERATION; OR NOT BEING MAINTAINED IN ACCORDANCE WITH THE MAINTENANCE PROCEDURES SET FORTH IN MANUFACTURER'S INSTALLATION AND OPERATING INSTRUCTIONS VOIDS THIS LIMITED WARRANTY.

ORAL STATEMENTS OR REPRESENTATIONS ABOUT THE PRODUCT WHICH MAY HAVE BEEN MADE BY SALESPEOPLE, DEALERS, AGENTS OR OTHER MANUFACTURER'S REPRESENTATIVES DO NOT CONSTITUTE WARRANTIES. THIS LIMITED WARRANTY MAY NOT BE AMENDED, MODIFIED, OR ENLARGED EXCEPT BY A WRITTEN AGREEMENT SIGNED BY AN AUTHORIZED OFFICIAL OF MANUFACTURER WHICH EXPRESSLY REFERS TO THIS LIMITED WARRANTY.

Exclusion of Other Warranties: MANUFACTURER MAKES NO OTHER WARRANTIES, EXPRESS OR IMPLIED. THE IMPLIED WARRANTIES FOR MERCHANTABILITY OR FITNESS FOR A PARTICULAR PURPOSE ARE HEREBY EXCLUDED AND SHALL NOT APPLY TO THE PRODUCT. BUYER'S SOLE AND EXCLUSIVE REMEDY IN CONTRACT, TORT, OR UNDER ANY OTHER THEORY AGAINST MANUFACTURER REGARDING THE PRODUCT AND ITS USE SHALL BE THE REPLACEMENT OR REPAIR OF THE PRODUCT AS DESCRIBED ABOVE.

Limitation of Liability: IN THE EVENT OF LIABILITY FOR DAMAGES ARISING OUT OF THIS LIMITED WARRANTY OR ANY OTHER CLAIM RELATED TO THE MANUFACTURER'S PRODUCTS, MANUFACTURER'S LIABILITY FOR DAMAGES SHALL BE LIMITED TO THE AMOUNT PAID FOR THE PRODUCT AT THE TIME OF THE ORIGINAL PURCHASE. IN NO EVENT SHALL MANUFACTURER BE LIABLE FOR LOST PROFITS, THE COST OF SUBSTITUTE EQUIPMENT OR LABOR, PROPERTY DAMAGE, OR OTHER SPECIAL, CONSEQUENTIAL, OR INCIDENTAL DAMAGES BASED UPON ANY CLAIM FOR BREACH OF CONTRACT, IMPROPER INSTALLATION, NEGLIGENCE, OR OTHER CLAIM, EVEN IF MANUFACTURER OR A MANUFACTURER'S REPRESENTATIVE HAS BEEN ADVISED OF THE POSSIBILITY OF SUCH DAMAGES. MANUFACTURER SHALL HAVE NO FURTHER OBLIGATION OR LIABILITY WITH RESPECT TO THE PRODUCT OR ITS SALE, OPERATION AND USE, AND MANUFACTURER NEITHER ASSUMES NOR AUTHORIZES THE ASSUMPTION OF ANY OTHER OBLIGATION OR LIABILITY IN CONNECTION WITH SUCH PRODUCT.

This Limited Warranty defines specific legal rights. You may have other legal rights, which vary from state to state. Some states do not allow the exclusion or limitation of incidental or consequential damages.

 **CODE 3**[®]
10986 North Warson Road
St. Louis, MO 63114
Technical Service:
(314) 996-2800
cs-c3@code3esg.com
www.code3esg.com

A Division of ESG | www.eccogroup.com