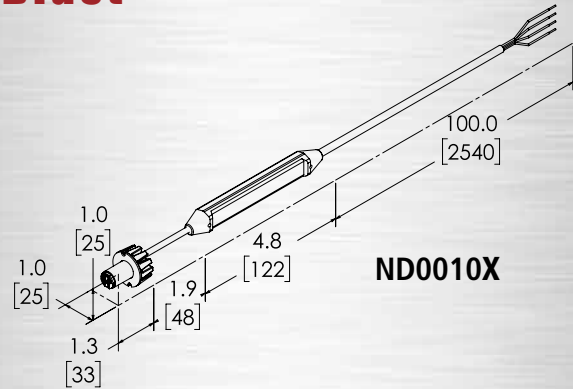


2-Pack Bullet™ LED Hide-A-Blast™

ND0010X



ND0011X



DESIGN FEATURES

- Self-adhesive —no mounting hardware required (can be secured with screws, if desired).
- 2 high-intensity, 3-watt LEDs
- 16 flash patterns
- Synchronizes with additional units (simultaneous or alternating)
- Exterior light
- Single 1/2" (13mm) hole for Installation
- 9' cord
- Nickel-plated aluminum housing

SPECIFICATIONS

- Dimensions: 3/4" (19 mm) shaft module: 1.3" H x 1.0" at base only, shaft is 0.5" (13 mm) wide
- 33mm H x 25mm at base only, shaft is 13mm wide
- 2" (51mm) shaft module: 2.3" H x 1.0" (60 x 25 mm) at base only, shaft is 0.5" (13mm) wide
- 12/24 VDC
- 0.5 average amp draw
- 6 watts average
- IP67, CE, R10
- 3-year warranty



Wildcat™ 4 LED Hide-A-Blast™



W6XX
Single

DW6XX
Pairs



DESIGN FEATURES

Single head models:

- UV stabilized polycarbonate lens
- 4 next-generation LEDs
- 16 flash patterns
- Exterior light
- Self-contained and in-line power module
- Mounts into 1" (25 mm) hole
- 9' pre-wired cable
- Nickel plated housing

Two head models (same as above except):

- Split colors available: blue/red
- Pre-wired cable; 7 ft module, 7 ft head A, 4 ft head B

* Note: single and two head models have same specs except two head models come in a pair and share a power module

SPECIFICATIONS

- Dimensions: 1.50" W x 0.875" D (38 x 22 mm)
- 12/24 VDC
- 0.5 average amp draw
- 6 average watts
- 5-year warranty

