

Introduction:

The Grill Light Bracket kit fits 2015+ Ford Police Interceptor Utility Vehicles & mounts the Code3 Megathin, MR6, M180 & XT4 high intensity light heads.



**Driver Side Bracket Shown
With Megathin Light Head**

Contents:

Specifications.....	02
Installation and Mounting.....	02-03
Exploded View/Parts List.....	03
Warranty.....	04

IMPORTANT! Read all instructions before installing and using. Installer: This manual must be delivered to the end user.



WARNING!

Failure to install or use this product according to manufacturers recommendations may result in property damage, serious injury, and/or death to those you are seeking to protect!



Do not install and/or operate this safety product unless you have read and understand the safety information contained in this manual.

1. Proper installation combined with operator training in the use, care, and maintenance of emergency warning devices are essential to ensure the safety of emergency personnel and the public.
2. Emergency warning devices often require high electrical voltages and/or currents. Exercise caution when working with live electrical connections.
3. This product must be properly grounded. Inadequate grounding and/or shorting of electrical connections can cause high current arcing, which can cause personal injury and/or severe vehicle damage, including fire.
4. Proper placement and installation is vital to the performance of this warning device. Install this product so that output performance of the system is maximized and the controls are placed within convenient reach of the operator so that s/he can operate the system without losing eye contact with the roadway.
5. It is the responsibility of the vehicle operator to ensure daily that all features of this product work correctly. In use, the vehicle operator should ensure the projection of the warning signal is not blocked by vehicle components (i.e., open trunks or compartment doors), people, vehicles or other obstructions.
6. The use of this or any other warning device does not ensure all drivers can or will observe or react to an emergency warning signal. Never take the right-of-way for granted. It is your responsibility to be sure you can proceed safely before entering an intersection, drive against traffic, respond at a high rate of speed, or walk on or around traffic lanes.
7. This equipment is intended for use by authorized personnel only. The user is responsible for understanding and obeying all laws regarding emergency warning devices. Therefore, the user should check all applicable city, state, and federal laws and regulations. The manufacturer assumes no liability for any loss resulting from the use of this warning device.

Specifications:

For light head specifications see the Megathin, MR6, M180 or XT4 installation manuals.

Installation and Mounting:

Step 1. Discard the screws & hardware included with the light heads except retain the black plastic bezels with the XT4 Light Heads. Install the light heads to the grill mounting bracket using the fasteners included with the bracket kit (See Exploded Parts List View on Page 3 for required hardware for light heads being installed). Feed the light head wire cable through both center holes in the bracket & fasten with provided screws. See Figure-1 for the light head version being installed.

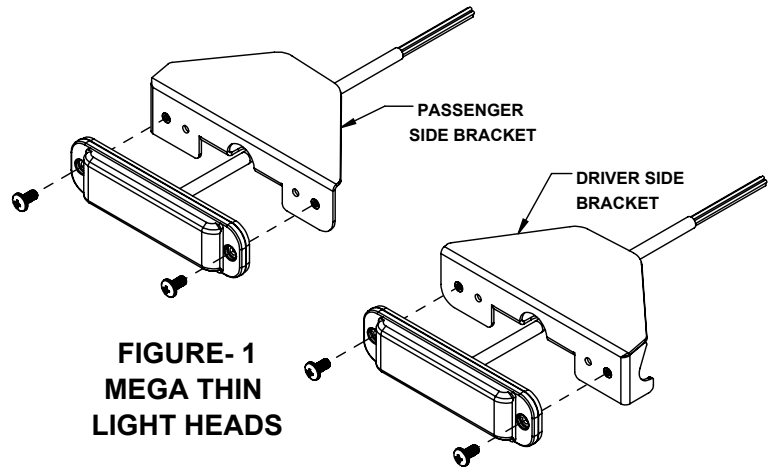
Step 2. Remove the cover exposing the mounting position on each side of the vehicle grill. Consult the Ford manual for this vehicle to access the rear of the grill. The upper grill cover can be removed and the grill pulled back as a quick method to access the rear of the grill.

Step 3. Place the bracket and light head assembly against the grill mounting position while feeding the cable through the grill's center rectangular hole. See Figure 2.

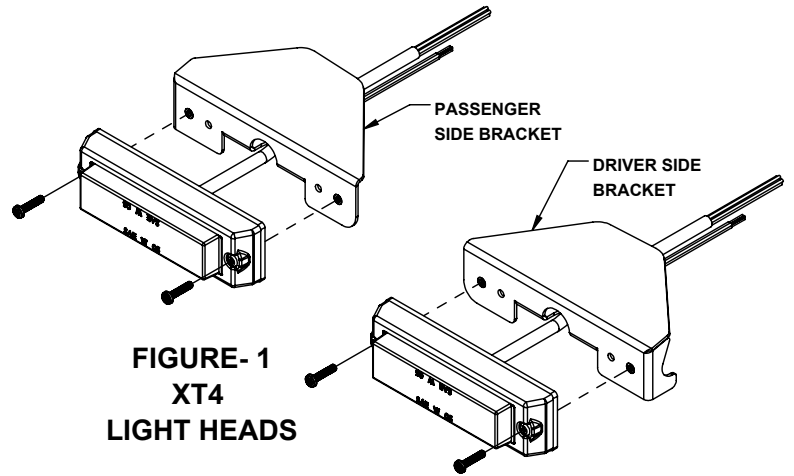
Step 4. Attach the bracket and light head assembly using two 6-32 x .375 screws (Ref Item 4 in Parts List) with #6 flat washers (Ref Item 7 in Parts List) included with the bracket kit. See Figure 3 below & See Figure 4 on Page 3.

Step 5. Connect the light heads to the vehicle wiring and verify the light heads are operating properly. For wiring instructions see Megathin, MR6, M180 or XT4 installation manuals.

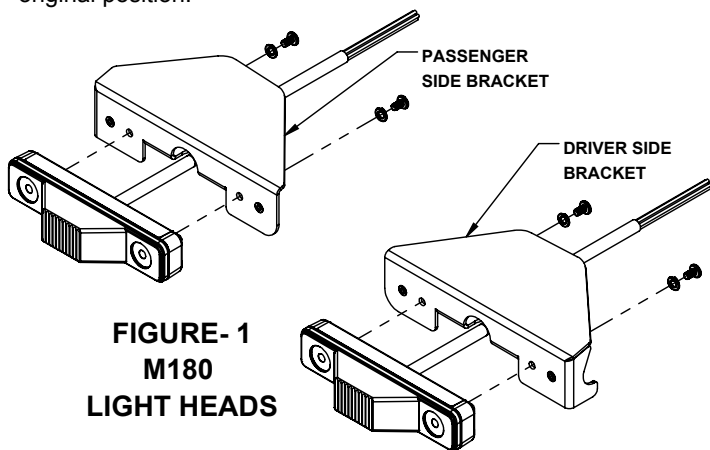
Step 6. Reinstall the upper grill cover with the grill back in its original position.



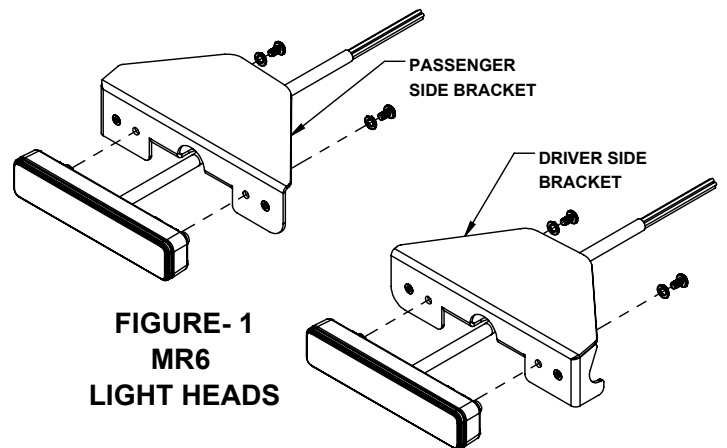
**FIGURE- 1
MEGA THIN
LIGHT HEADS**



**FIGURE- 1
XT4
LIGHT HEADS**



**FIGURE- 1
M180
LIGHT HEADS**



**FIGURE- 1
MR6
LIGHT HEADS**

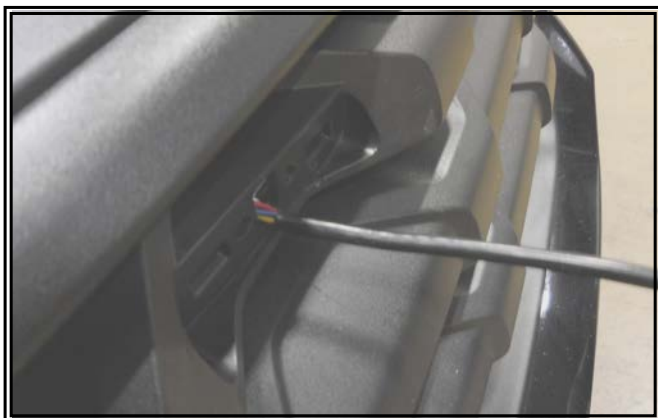


Figure 2

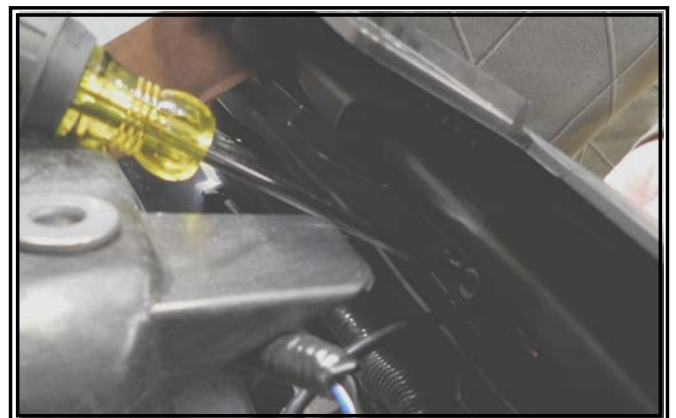
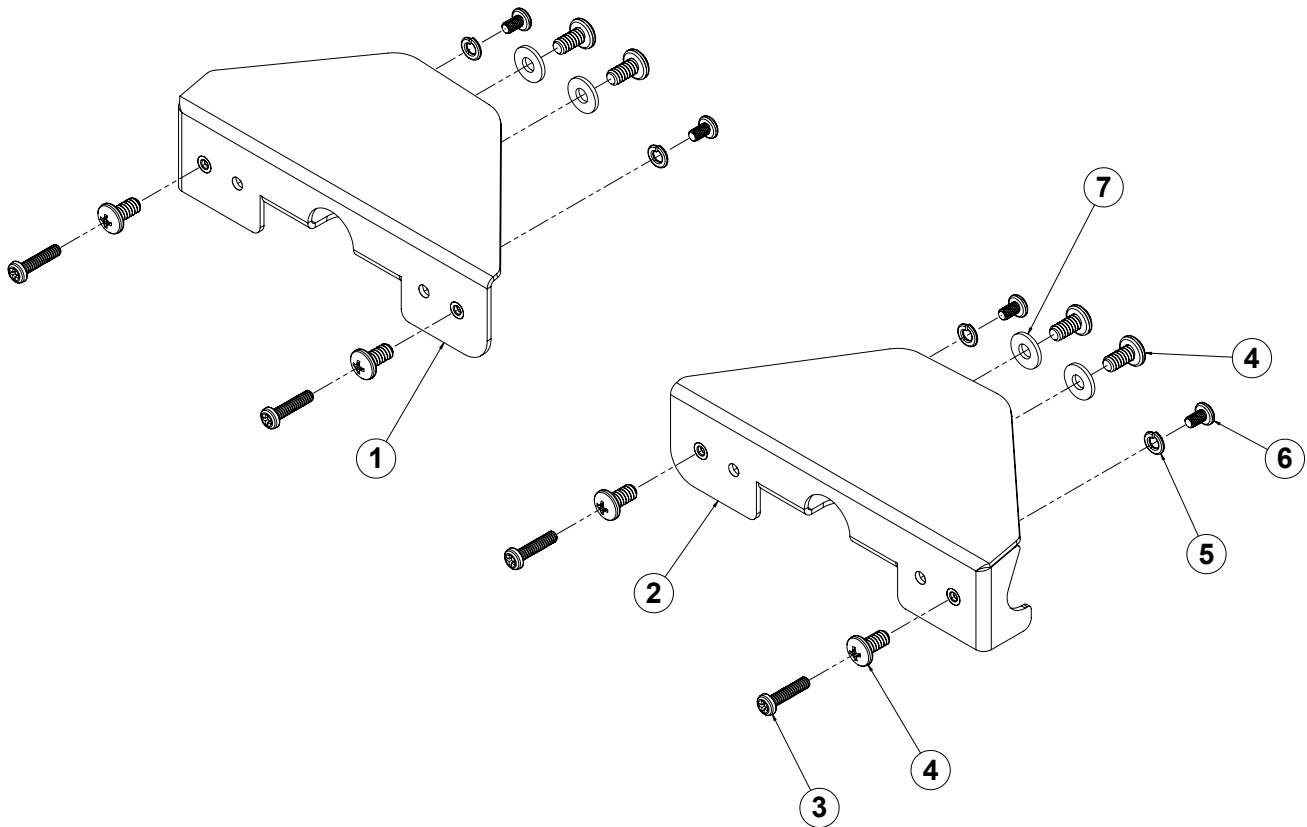


Figure 3



Figure 4

Parts List



<u>Ref Number</u>	<u>Part Description</u>	<u>Part Number</u>	<u>Quantity</u>
1	Grill Light LED Mounting Bracket-Passenger Side PI Utility	220-0957-00	1
2	Grill Light LED Mounting Bracket-Driver Side PI Utility	220-0956-00	1
3	XT4 Mtg Screw---6-32 X 5/8" Phillips Pan Hd MS Black Zinc Plated	T13938	4
4	Megathin & Bkt Mtg Screw---6-32 X 3/8" Phillips Pan Hd MS Black Oxide	T10199	8
5	MR6 & M180 Mtg---#6 Split Lock Washer	T15117	4
6	MR6 & M180 Mtg---3.5mm X 0.6 X 6mm Phillips Pan Hd MS Zinc Plated	322-0072-00	4
7	Bracket Mounting---#8 Flat Washer Zinc Plated	T10264	4

Manufacturer Limited Warranty Policy:

Manufacturer warrants that on the date of purchase this product will conform to Manufacturer's specifications for this product (which are available from the Manufacturer upon request). This Limited Warranty extends for Sixty (60) months from the date of purchase.

DAMAGE TO PARTS OR PRODUCTS RESULTING FROM TAMPERING, ACCIDENT, ABUSE, MISUSE, NEGLIGENCE, UNAPPROVED MODIFICATIONS, FIRE OR OTHER HAZARD; IMPROPER INSTALLATION OR OPERATION; OR NOT BEING MAINTAINED IN ACCORDANCE WITH THE MAINTENANCE PROCEDURES SET FORTH IN MANUFACTURER'S INSTALLATION AND OPERATING INSTRUCTIONS VOIDS THIS LIMITED WARRANTY.

Exclusion of Other Warranties:

MANUFACTURER MAKES NO OTHER WARRANTIES, EXPRESS OR IMPLIED. THE IMPLIED WARRANTIES FOR MERCHANTABILITY, QUALITY OR FITNESS FOR A PARTICULAR PURPOSE, OR ARISING FROM A COURSE OF DEALING, USAGE OR TRADE PRACTICE ARE HEREBY EXCLUDED AND SHALL NOT APPLY TO THE PRODUCT AND ARE HEREBY DISCLAIMED, EXCEPT TO THE EXTENT PROHIBITED BY APPLICABLE LAW. ORAL STATEMENTS OR REPRESENTATIONS ABOUT THE PRODUCT DO NOT CONSTITUTE WARRANTIES.

Remedies and Limitation of Liability:

MANUFACTURER'S SOLE LIABILITY AND BUYER'S EXCLUSIVE REMEDY IN CONTRACT, TORT (INCLUDING NEGLIGENCE), OR UNDER ANY OTHER THEORY AGAINST MANUFACTURER REGARDING THE PRODUCT AND ITS USE SHALL BE, AT MANUFACTURER'S DISCRETION, THE REPLACEMENT OR REPAIR OF THE PRODUCT, OR THE REFUND OF THE PURCHASE PRICE PAID BY BUYER FOR NON-CONFORMING PRODUCT. IN NO EVENT SHALL MANUFACTURER'S LIABILITY ARISING OUT OF THIS LIMITED WARRANTY OR ANY OTHER CLAIM RELATED TO THE MANUFACTURER'S PRODUCTS EXCEED THE AMOUNT PAID FOR THE PRODUCT BY BUYER AT THE TIME OF THE ORIGINAL PURCHASE. IN NO EVENT SHALL MANUFACTURER BE LIABLE FOR LOST PROFITS, THE COST OF SUBSTITUTE EQUIPMENT OR LABOR, PROPERTY DAMAGE, OR OTHER SPECIAL, CONSEQUENTIAL, OR INCIDENTAL DAMAGES BASED UPON ANY CLAIM FOR BREACH OF CONTRACT, IMPROPER INSTALLATION, NEGLIGENCE, OR OTHER CLAIM, EVEN IF MANUFACTURER OR A MANUFACTURER'S REPRESENTATIVE HAS BEEN ADVISED OF THE POSSIBILITY OF SUCH DAMAGES. MANUFACTURER SHALL HAVE NO FURTHER OBLIGATION OR LIABILITY WITH RESPECT TO THE PRODUCT OR ITS SALE, OPERATION AND USE, AND MANUFACTURER NEITHER ASSUMES NOR AUTHORIZES THE ASSUMPTION OF ANY OTHER OBLIGATION OR LIABILITY IN CONNECTION WITH SUCH PRODUCT.

This Limited Warranty defines specific legal rights. You may have other legal rights which vary from jurisdiction to jurisdiction. Some jurisdictions do not allow the exclusion or limitation of incidental or consequential damages.

Product Returns:

If a product must be returned for repair or replacement*, please contact our factory to obtain a Return Goods Authorization Number (RGA number) before you ship the product to Code 3®, Inc. Write the RGA number clearly on the package near the mailing label. Be sure you use sufficient packing materials to avoid damage to the product being returned while in transit.

*Code 3®, Inc. reserves the right to repair or replace at its discretion. Code 3®, Inc. assumes no responsibility or liability for expenses incurred for the removal and /or reinstallation of products requiring service and/or repair.; nor for the packaging, handling, and shipping; nor for the handling of products returned to sender after the service has been rendered.



10986 North Warson Road
St. Louis, MO 63114

Customer Service

(314) 426-2700

c3_tech_support@code3esg.com

www.code3esg.com

An ECCO SAFETY GROUP™ Company

www.eccosafetygroup.com