



2017 TAHOE MOUNTING KIT FOR C3100 SPEAKER - SINGLE AND DUAL

Introduction:



This bracket kit fits 2017 Tahoe and mounts the Code3 C3100 speaker either singly or in pairs side by side. Mounting holes are also available to mount various Code3 light heads in positions adjacent to and above the single speaker or above the dual speaker.

Contents:

Specifications.....	02
Installation and Mounting.....	02-03
Warranty.....	04



**WARNING!**  
Sirens product lous sounds that may damage hearing


- Wear hearing protection when testing
- Use siren only for emergency response
- Roll up windows when siren is operating
- Avoid exposure to the siren sound outside of vehicle

**IMPORTANT!** Read all instructions before installing and using. Installer: This manual must be delivered to the end user.

**WARNING!**  
Failure to install or use this product according to manufacturers recommendations may result in property damage, serious injury, and/or death to those you are seeking to protect!



**Do not install and/or operate this safety product unless you have read and understand the safety information contained in this manual.**



1. Proper installation combined with operator training in the use, care, and maintenance of emergency warning devices are essential to ensure the safety of emergency personnel and the public.
2. Emergency warning devices often require high electrical voltages and/or currents. Exercise caution when working with live electrical connections.
3. This product must be properly grounded. Inadequate grounding and/or shorting of electrical connections can cause high current arcing, which can cause personal injury and/or severe vehicle damage, including fire.
4. Proper placement and installation is vital to the performance of this warning device. Install this product so that output performance of the system is maximized and the controls are placed within convenient reach of the operator so that s/he can operate the system without losing eye contact with the roadway.
5. It is the responsibility of the vehicle operator to ensure daily that all features of this product work correctly. In use, the vehicle operator should ensure the projection of the warning signal is not blocked by vehicle components (i.e., open trunks or compartment doors), people, vehicles or other obstructions.
6. The use of this or any other warning device does not ensure all drivers can or will observe or react to an emergency warning signal. Never take the right-of-way for granted. It is your responsibility to be sure you can proceed safely before entering an intersection, drive against traffic, respond at a high rate of speed, or walk on or around traffic lanes.
7. This equipment is intended for use by authorized personnel only. The user is responsible for understanding and obeying all laws regarding emergency warning devices. Therefore, the user should check all applicable city, state, and federal laws and regulations. The manufacturer assumes no liability for any loss resulting from the use of this warning device.

## Specifications

For speaker specifications see the Code3 C3100 installation manual.

## Installation and Mounting

1. Consult the Chevrolet Tahoe vehicle service manual and remove the plastic engine shroud. The upper grill fasteners can then be removed and the grill pulled back as a quick method to access the rear of the grill. See figures 1-2.

2. Assemble the C3100 speaker and light heads (if chosen) to the mounting bracket as shown in figure 3. Dual C3100 speakers and one light head may be assembled to the mounting bracket as shown in figure 4. Both figures show Code3 XTP6 light heads as an example but other light heads may be mounted instead. The #12 phillips head screws and lock washers are supplied with the C3100 speaker. The hardware to attach the light heads are supplied by the user. Shown are #6-32x5/8 screw with #6 flat washer, #6 split lock washer, and #6-32 nut.

3. Pull back the grill and loosen both (2) fasteners near the bottom front of the radiator and below the radiator louvers. See Figures 5-6 and take note in figure 6 the first fastener is being loosened and the second is behind the operator's hand at the extreme right. Loosen the fasteners enough to provide about a 0.25" gap as shown in figures 7-8.

4. While holding back the grill, slide the bracket and light head assembly behind the grill until the slots at the bottom of the bracket engage the two loosened fasteners from step 3. See figures 9-10. The upper flanges should be resting on the grill support brackets as shown in figure 11. Be sure to connect the siren and light head wiring per the instructions accompanying the products during this operation.

5. Tighten both loosened fasteners to secure the bottom of the bracket. Align the holes in the speaker bracket's upper flanges with the holes in the grill support brackets. See figure 12. Place the plastic upper grill over the speaker bracket and reinstall the two grill fasteners to secure the top of the bracket. See figure 13.

6. Reinstall the rest of the upper grill fasteners and then the plastic engine shroud.



Figure 1



Figure 2

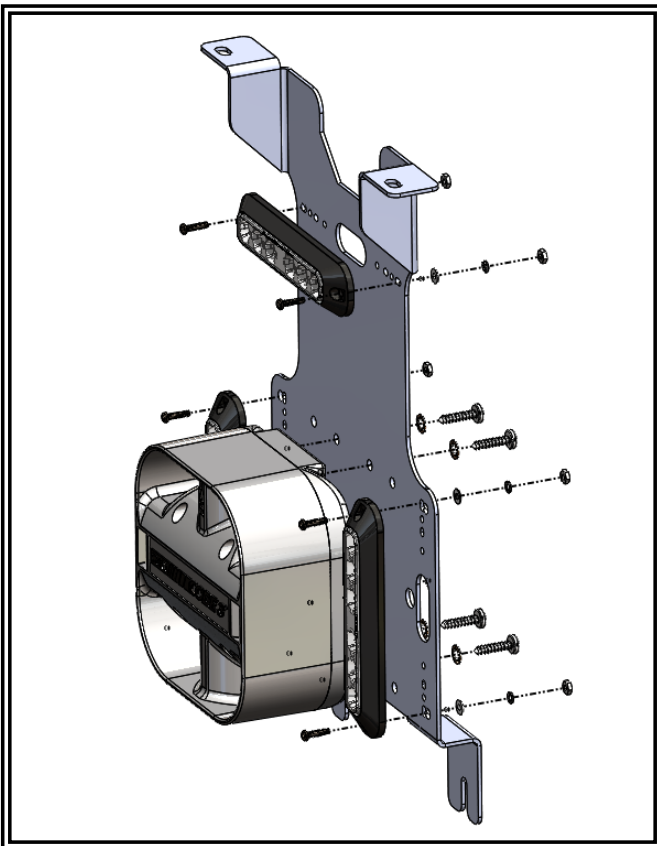


Figure 3

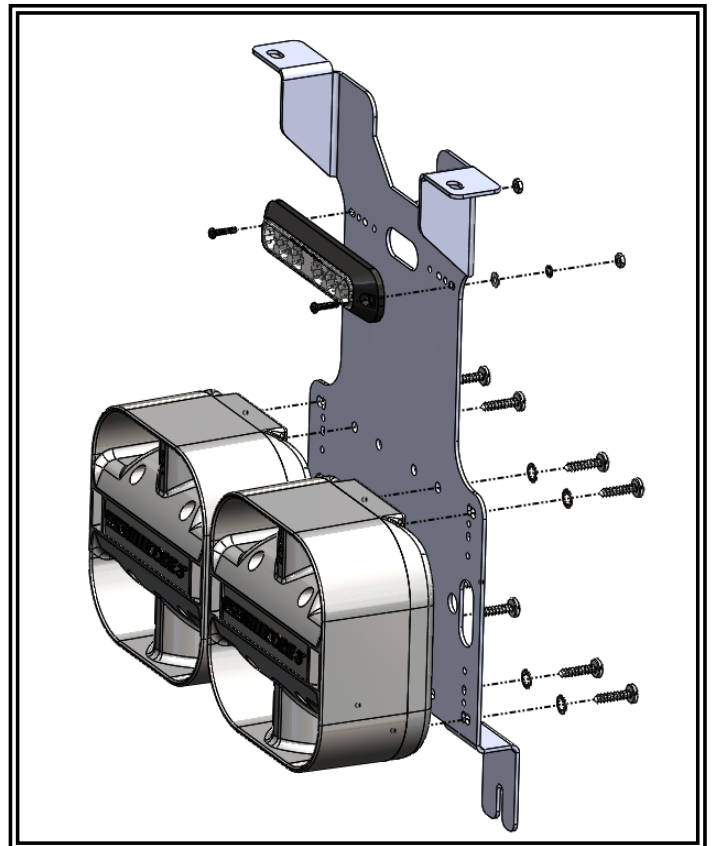


Figure 4

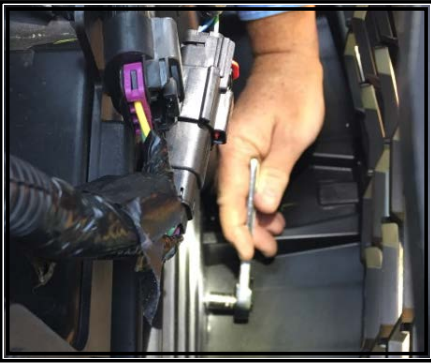


Figure 5



Figure 6



Figure 7



Figure 8



Figure 9



Figure 10



Figure 11

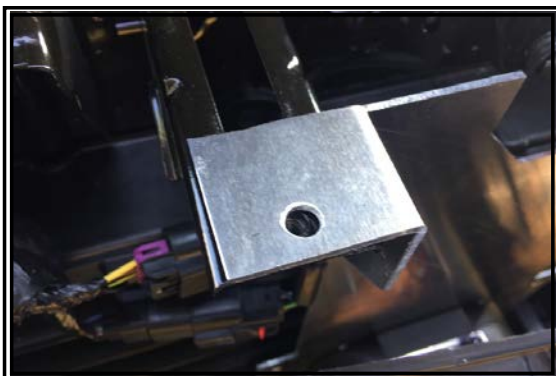


Figure 12



Figure 13



## Manufacturer Limited Warranty Policy:

Manufacturer warrants that on the date of purchase this product will conform to Manufacturer's specifications for this product (which are available from the Manufacturer upon request). This Limited Warranty extends for Sixty (60) months from the date of purchase.

**DAMAGE TO PARTS OR PRODUCTS RESULTING FROM TAMPERING, ACCIDENT, ABUSE, MISUSE, NEGLIGENCE, UNAPPROVED MODIFICATIONS, FIRE OR OTHER HAZARD; IMPROPER INSTALLATION OR OPERATION; OR NOT BEING MAINTAINED IN ACCORDANCE WITH THE MAINTENANCE PROCEDURES SET FORTH IN MANUFACTURER'S INSTALLATION AND OPERATING INSTRUCTIONS VOIDS THIS LIMITED WARRANTY.**

### Exclusion of Other Warranties:

MANUFACTURER MAKES NO OTHER WARRANTIES, EXPRESS OR IMPLIED. THE IMPLIED WARRANTIES FOR MERCHANTABILITY, QUALITY OR FITNESS FOR A PARTICULAR PURPOSE, OR ARISING FROM A COURSE OF DEALING, USAGE OR TRADE PRACTICE ARE HEREBY EXCLUDED AND SHALL NOT APPLY TO THE PRODUCT AND ARE HEREBY DISCLAIMED, EXCEPT TO THE EXTENT PROHIBITED BY APPLICABLE LAW. ORAL STATEMENTS OR REPRESENTATIONS ABOUT THE PRODUCT DO NOT CONSTITUTE WARRANTIES.

### Remedies and Limitation of Liability:

MANUFACTURER'S SOLE LIABILITY AND BUYER'S EXCLUSIVE REMEDY IN CONTRACT, TORT (INCLUDING NEGLIGENCE), OR UNDER ANY OTHER THEORY AGAINST MANUFACTURER REGARDING THE PRODUCT AND ITS USE SHALL BE, AT MANUFACTURER'S DISCRETION, THE REPLACEMENT OR REPAIR OF THE PRODUCT, OR THE REFUND OF THE PURCHASE PRICE PAID BY BUYER FOR NON-CONFORMING PRODUCT. IN NO EVENT SHALL MANUFACTURER'S LIABILITY ARISING OUT OF THIS LIMITED WARRANTY OR ANY OTHER CLAIM RELATED TO THE MANUFACTURER'S PRODUCTS EXCEED THE AMOUNT PAID FOR THE PRODUCT BY BUYER AT THE TIME OF THE ORIGINAL PURCHASE. IN NO EVENT SHALL MANUFACTURER BE LIABLE FOR LOST PROFITS, THE COST OF SUBSTITUTE EQUIPMENT OR LABOR, PROPERTY DAMAGE, OR OTHER SPECIAL, CONSEQUENTIAL, OR INCIDENTAL DAMAGES BASED UPON ANY CLAIM FOR BREACH OF CONTRACT, IMPROPER INSTALLATION, NEGLIGENCE, OR OTHER CLAIM, EVEN IF MANUFACTURER OR A MANUFACTURER'S REPRESENTATIVE HAS BEEN ADVISED OF THE POSSIBILITY OF SUCH DAMAGES. MANUFACTURER SHALL HAVE NO FURTHER OBLIGATION OR LIABILITY WITH RESPECT TO THE PRODUCT OR ITS SALE, OPERATION AND USE, AND MANUFACTURER NEITHER ASSUMES NOR AUTHORIZES THE ASSUMPTION OF ANY OTHER OBLIGATION OR LIABILITY IN CONNECTION WITH SUCH PRODUCT.

This Limited Warranty defines specific legal rights. You may have other legal rights which vary from jurisdiction to jurisdiction. Some jurisdictions do not allow the exclusion or limitation of incidental or consequential damages.

## Product Returns:

If a product must be returned for repair or replacement\*, please contact our factory to obtain a Return Goods Authorization Number (RGA number) before you ship the product to Code 3®, Inc. Write the RGA number clearly on the package near the mailing label. Be sure you use sufficient packing materials to avoid damage to the product being returned while in transit.

\*Code 3®, Inc. reserves the right to repair or replace at its discretion. Code 3®, Inc. assumes no responsibility or liability for expenses incurred for the removal and /or reinstallation of products requiring service and/or repair; nor for the packaging, handling, and shipping; nor for the handling of products returned to sender after the service has been rendered.



10986 North Warson Road  
St. Louis, MO 63114

Technical Service:  
(314) 996-2800

c3\_tech\_support@code3esg.com  
www.code3esg.com

A Division of ESG | www.eccogroup.com