



# Installation and Operation Instructions

## C3100 SPEAKER MOUNT - 2015+ PI UTILITY FOR SINGLE AND DUAL SPEAKERS

### Introduction:

This C3100 Speaker Mounting Bracket kit fits 2015+ PI Utility & mounts the Code3 C3100 speaker either singly or in pairs side by side.

### Contents:

Specifications.....	01
Installation and Mounting.....	02-03
Warranty.....	04

### Specifications:



The C3100 Speaker Mounting bracket kit fits 2015+ PI Utility and mounts the Code3 C3100 speaker either singly or in pairs side by side. The bracket dimensions are 14.00" Wide X 11.375 High X 1.10" Deep.

For C3100 speaker specifications, wiring & operation, see the Code3 C3100 installation manual.



**DUAL SPEAKER MOUNT SHOWN**


**WARNING!**  
Sirens product lous sounds that may damage hearing


- Wear hearing protection when testing
- Use siren only for emergency response
- Roll up windows when siren is operating
- Avoid exposure to the siren sound outside of vehicle

**IMPORTANT!** Read all instructions before installing and using. Installer: This manual must be delivered to the end user.

**WARNING!**  
Failure to install or use this product according to manufacturers recommendations may result in property damage, serious injury, and/or death to those you are seeking to protect!



**Do not install and/or operate this safety product unless you have read and understand the safety information contained in this manual.**



1. Proper installation combined with operator training in the use, care, and maintenance of emergency warning devices are essential to ensure the safety of emergency personnel and the public.
2. Emergency warning devices often require high electrical voltages and/or currents. Exercise caution when working with live electrical connections.
3. This product must be properly grounded. Inadequate grounding and/or shorting of electrical connections can cause high current arcing, which can cause personal injury and/or severe vehicle damage, including fire.
4. Proper placement and installation is vital to the performance of this warning device. Install this product so that output performance of the system is maximized and the controls are placed within convenient reach of the operator so that s/he can operate the system without losing eye contact with the roadway.
5. It is the responsibility of the vehicle operator to ensure daily that all features of this product work correctly. In use, the vehicle operator should ensure the projection of the warning signal is not blocked by vehicle components (i.e., open trunks or compartment doors), people, vehicles or other obstructions.
6. The use of this or any other warning device does not ensure all drivers can or will observe or react to an emergency warning signal. Never take the right-of-way for granted. It is your responsibility to be sure you can proceed safely before entering an intersection, drive against traffic, respond at a high rate of speed, or walk on or around traffic lanes.
7. This equipment is intended for use by authorized personnel only. The user is responsible for understanding and obeying all laws regarding emergency warning devices. Therefore, the user should check all applicable city, state, and federal laws and regulations. The manufacturer assumes no liability for any loss resulting from the use of this warning device.

## Installation and Mounting:

**Step 1.** For a single speaker application, assemble the C3100 speaker to the mounting bracket as shown in figure 1. For a dual speaker application, assemble the C3100 speaker to the mounting plate as shown in figure 2. Use (4) of the #12 phillips head screws and star lock washers that are supplied in the #55025 hardware bags to mount each of the C3100 speakers. Make sure the "MOUNT WITH THIS END UP" "CAUTION!" label is on the top as oriented in the views in Figures 1, 2 & 3 below. Discard the remaining hardware.

**Step 2.** Refer to the Ford Service manual for steps required to remove the front fascia from the PI Utility.

**Step 3.** Note the (2) existing holes that are 12 1/4 inches apart in the PI Utility's front bumper brace (See Figure 3 Front View below). Position the speaker assembly with the speakers facing forward on the vehicle and slip the mounting flange up behind the PI Utility's bumper brace (The back side of the brace is flat while the front side is curved to match the curvature of the front fascia). Align the (2) holes in the speaker bracket mounting flange with the holes in the PI Utility's bumper brace and slip the (2) provided 5/16"-18 X 3" long stainless steel bolts from the back side through the holes in the bracket and through the holes in the vehicle's bumper brace. Slip a provided 5/16 I.D. X 1 1/4" O.D. fender washer over the threads of the bolts and thread a provided 5/16" hex locking nut onto each of the bolts. See Figure 4 on page 3 for a cross section view of the assembly.

**Step 3.** Have an assistant hold the speakers up or prop something under the speakers so they are positioned up under the PI Utility's bumper brace and tighten the nuts until they are snugged up and the speakers are up close to the bottom of the bumper brace (about 1/8" to 1/4" Gap).

**Step 4.** Route the wiring as desired to connect the speakers to the siren.

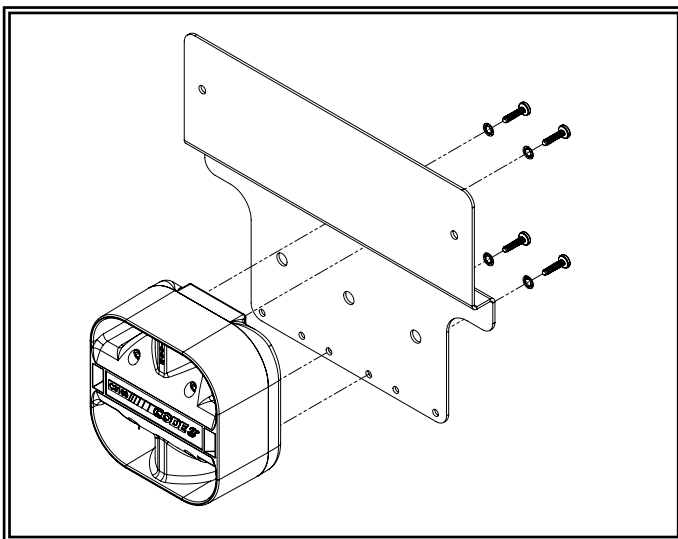


Figure 1 Single Speaker Version

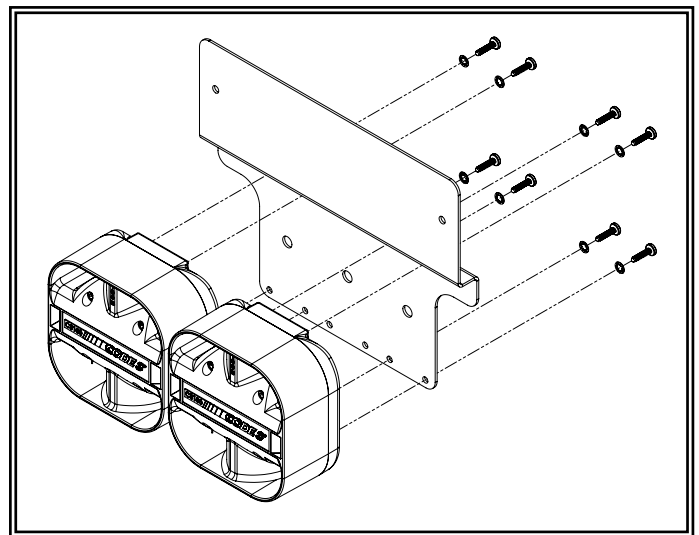


Figure 2 Dual Speaker Version

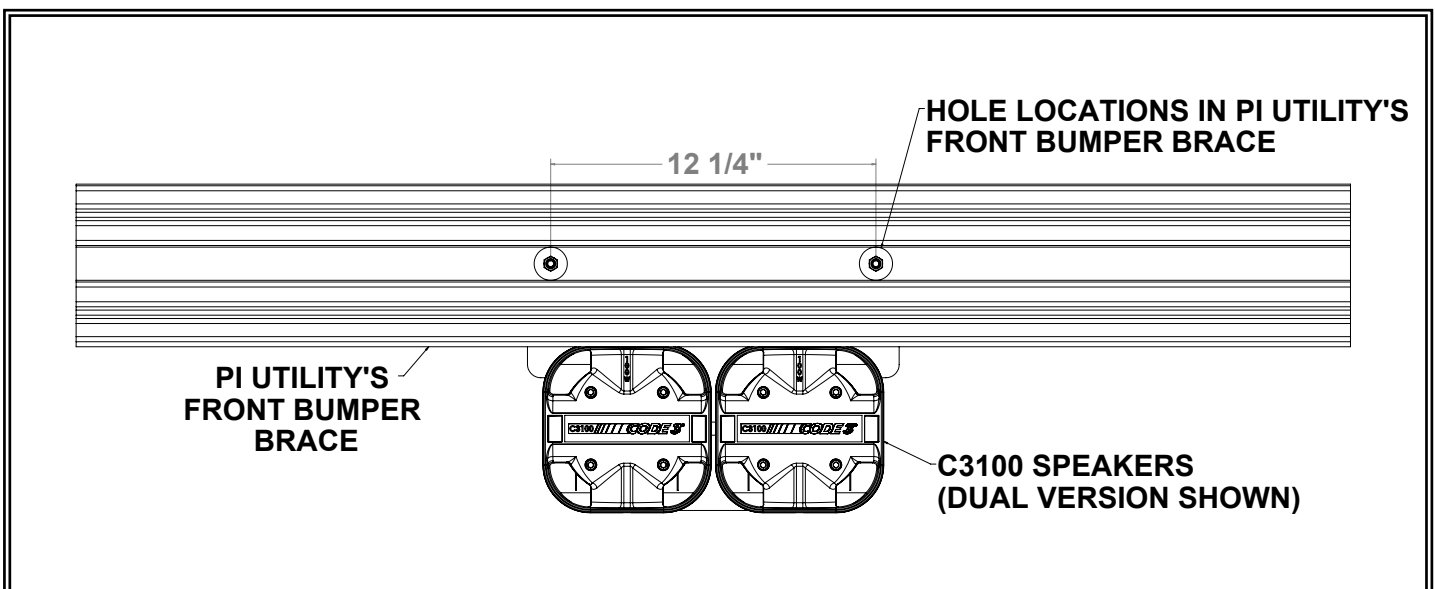
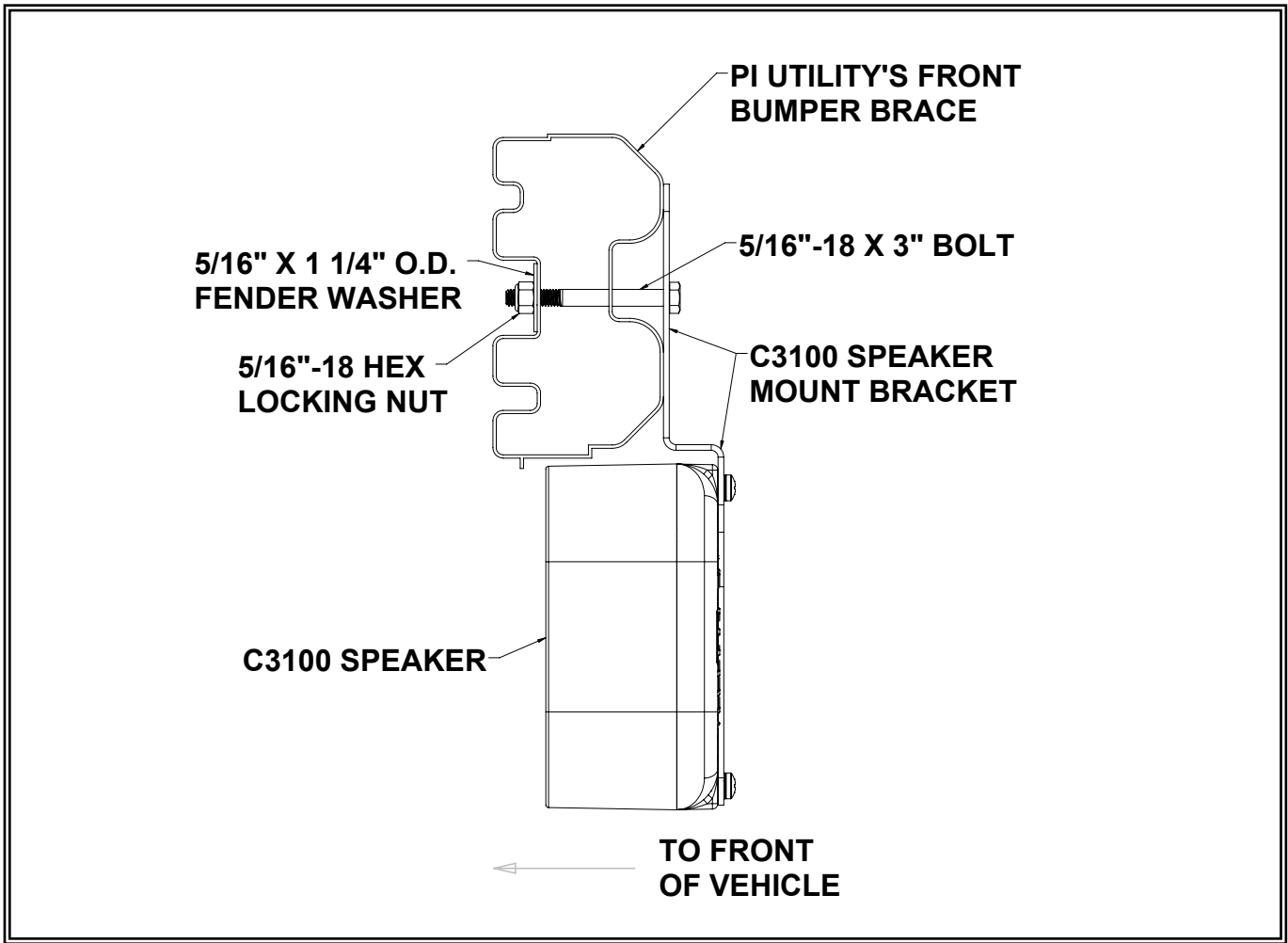


Figure 3 Front View



**Figure 4 Cross Sectional View**

## Manufacturer Limited Warranty Policy:

Manufacturer warrants that on the date of purchase this product will conform to Manufacturer's specifications for this product (which are available from the Manufacturer upon request). This Limited Warranty extends for Sixty (60) months from the date of purchase.

**DAMAGE TO PARTS OR PRODUCTS RESULTING FROM TAMPERING, ACCIDENT, ABUSE, MISUSE, NEGLIGENCE, UNAPPROVED MODIFICATIONS, FIRE OR OTHER HAZARD; IMPROPER INSTALLATION OR OPERATION; OR NOT BEING MAINTAINED IN ACCORDANCE WITH THE MAINTENANCE PROCEDURES SET FORTH IN MANUFACTURER'S INSTALLATION AND OPERATING INSTRUCTIONS VOIDS THIS LIMITED WARRANTY.**

### Exclusion of Other Warranties:

MANUFACTURER MAKES NO OTHER WARRANTIES, EXPRESS OR IMPLIED. THE IMPLIED WARRANTIES FOR MERCHANTABILITY, QUALITY OR FITNESS FOR A PARTICULAR PURPOSE, OR ARISING FROM A COURSE OF DEALING, USAGE OR TRADE PRACTICE ARE HEREBY EXCLUDED AND SHALL NOT APPLY TO THE PRODUCT AND ARE HEREBY DISCLAIMED, EXCEPT TO THE EXTENT PROHIBITED BY APPLICABLE LAW. ORAL STATEMENTS OR REPRESENTATIONS ABOUT THE PRODUCT DO NOT CONSTITUTE WARRANTIES.

### Remedies and Limitation of Liability:

MANUFACTURER'S SOLE LIABILITY AND BUYER'S EXCLUSIVE REMEDY IN CONTRACT, TORT (INCLUDING NEGLIGENCE), OR UNDER ANY OTHER THEORY AGAINST MANUFACTURER REGARDING THE PRODUCT AND ITS USE SHALL BE, AT MANUFACTURER'S DISCRETION, THE REPLACEMENT OR REPAIR OF THE PRODUCT, OR THE REFUND OF THE PURCHASE PRICE PAID BY BUYER FOR NON-CONFORMING PRODUCT. IN NO EVENT SHALL MANUFACTURER'S LIABILITY ARISING OUT OF THIS LIMITED WARRANTY OR ANY OTHER CLAIM RELATED TO THE MANUFACTURER'S PRODUCTS EXCEED THE AMOUNT PAID FOR THE PRODUCT BY BUYER AT THE TIME OF THE ORIGINAL PURCHASE. IN NO EVENT SHALL MANUFACTURER BE LIABLE FOR LOST PROFITS, THE COST OF SUBSTITUTE EQUIPMENT OR LABOR, PROPERTY DAMAGE, OR OTHER SPECIAL, CONSEQUENTIAL, OR INCIDENTAL DAMAGES BASED UPON ANY CLAIM FOR BREACH OF CONTRACT, IMPROPER INSTALLATION, NEGLIGENCE, OR OTHER CLAIM, EVEN IF MANUFACTURER OR A MANUFACTURER'S REPRESENTATIVE HAS BEEN ADVISED OF THE POSSIBILITY OF SUCH DAMAGES. MANUFACTURER SHALL HAVE NO FURTHER OBLIGATION OR LIABILITY WITH RESPECT TO THE PRODUCT OR ITS SALE, OPERATION AND USE, AND MANUFACTURER NEITHER ASSUMES NOR AUTHORIZES THE ASSUMPTION OF ANY OTHER OBLIGATION OR LIABILITY IN CONNECTION WITH SUCH PRODUCT.

This Limited Warranty defines specific legal rights. You may have other legal rights which vary from jurisdiction to jurisdiction. Some jurisdictions do not allow the exclusion or limitation of incidental or consequential damages.

## Product Returns:

If a product must be returned for repair or replacement\*, please contact our factory to obtain a Return Goods Authorization Number (RGA number) before you ship the product to Code 3®, Inc. Write the RGA number clearly on the package near the mailing label. Be sure you use sufficient packing materials to avoid damage to the product being returned while in transit.

\*Code 3®, Inc. reserves the right to repair or replace at its discretion. Code 3®, Inc. assumes no responsibility or liability for expenses incurred for the removal and /or reinstallation of products requiring service and/or repair; nor for the packaging, handling, and shipping; nor for the handling of products returned to sender after the service has been rendered.



10986 North Warson Road  
St. Louis, MO 63114

**Technical Service**

(314) 996-2800

[c3\\_tech\\_support@code3esg.com](mailto:c3_tech_support@code3esg.com)

[www.code3esg.com](http://www.code3esg.com)

An ECCO SAFETY GROUP™ Company

[www.eccosafetygroup.com](http://www.eccosafetygroup.com)