

**ULT6-RW**

Mega Thin™

Ultra thin surface mount LED light

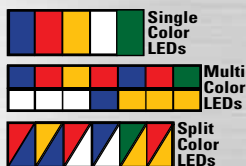
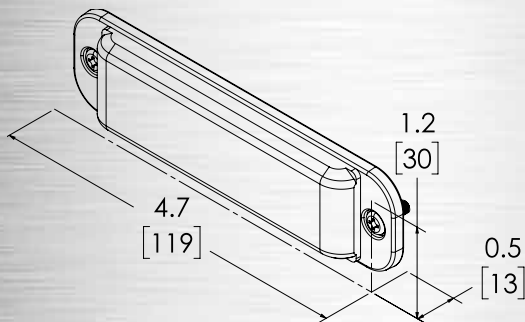
Ultra low-profile makes them perfect for mounting virtually anywhere on a vehicle

DESIGN FEATURES

- Clear lens
- 6 LED single color featuring 29 flash patterns
- 12 LED multicolor featuring 62 flash patterns
- Curved end optics for better off-angle performance
- The Mega Thin LED is available in solid and split colors (6 LEDs) as well as a 12 LED multicolor
- Synchronizable
- Black die cast base

SPECIFICATIONS

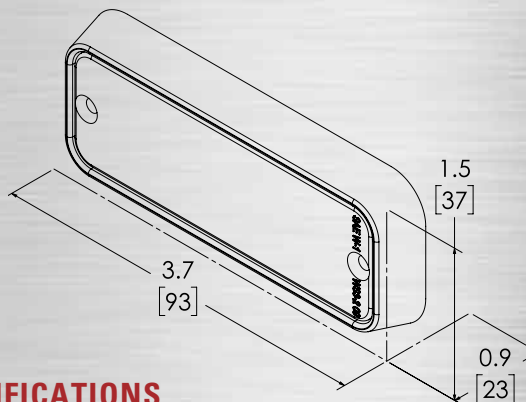
- Dimensions: .46" D X 4.73" D X 1.23" W (12 x 120 x 31 mm)
- 12/24VDC
- SAE J595 Class 1, California Title 13, ECE R65 Class 1, ECE R10, and IP67
- 3-year warranty

**SD24**

SD24 LED

Thin surface mount LED light

Small footprint allows for mounting in almost any location on the vehicle while its slim design keeps a low profile look



DESIGN FEATURES

- Clear lens
- 24 (1) watt high-intensity LEDs
- 16 flash patterns
- Synchronizable with additional Hide-A-Blasts
- Pre-wired 9 foot cable
- UV stabilized polycarbonate lens
- Low current draw and long maintenance-free service life

SPECIFICATIONS

- Dimensions without grommet: 3.3" W x 1.1" H x 0.4" D (84 x 28 x 10 mm)
- Dimensions with grommet: 3.67" W x 1.45" H x 0.46" D (93 x 37 x 12 mm)
- 12/24VDC
- 0.75 amps
- 9/18 watt average
- SAE J595, California Title 13
- 5-year warranty



OPTIONS

- Chrome bezel (SD24HCH)
- L bracket (SD24LBRKT)
- Multi-angle bracket (SD24ZBRKT)