



HB4PAK-R
Sold in pairs

4-Pack LED Hide-A-Blast™

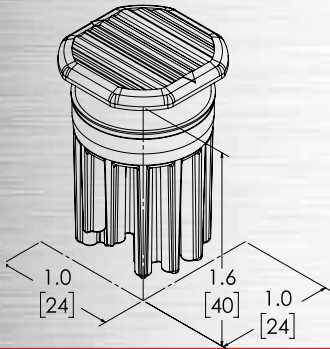
Ultra-slim flush mount design for external vehicle applications when additional warning light is needed.

Weather and vibration proof the HB4PAK is easy to install and comes with 14 pre-loaded flash patterns to help warn drivers and pedestrians.



DESIGN FEATURES

- 4 LEDs in a polycarbonate lens
- 13 flash patterns and 1 steady, simultaneous or alternating
- Synchronous capability
- Flush mount with supplied grommet
- L-shaped bracket mount available
- Dimming capability
- 9 foot cable with Y connectors



SPECIFICATIONS

- Lighthead dimensions: 1.575" H x 1.045" D (40 x 27 mm)
- Controller module: 1.075" W x 5.39" L x .593" H (27 x 137 x 15 mm)
- 12/24VDC
- 1.5 average amp draw
- 18 average watts
- SAE J595 Class 1, California Title 13, ECE. Reg65
- 5-year warranty



Z1XX

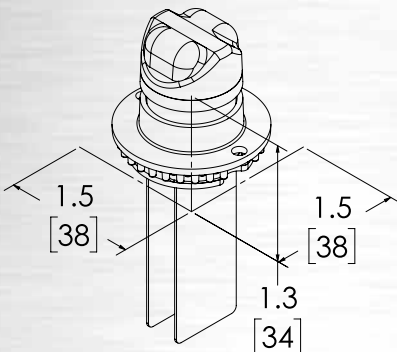
Zenith LED Hide-A-Blast

Great LED light for head and tail lights

Provides exceptional bright light output where space is limited.

DESIGN FEATURES

- UV stabilized polycarbonate lens
- 6 next generation LEDs
- 16 flash patterns!
- Self-contained and in-line power module
- Mounts into 1" (25 mm) hole
- 9 foot pre-wired cable
- Nickel-plated housing



SPECIFICATIONS

- Dimensions: 1.3" H x 0.96" D (33 x 24 mm)
- 12/24VDC
- 5-year warranty

