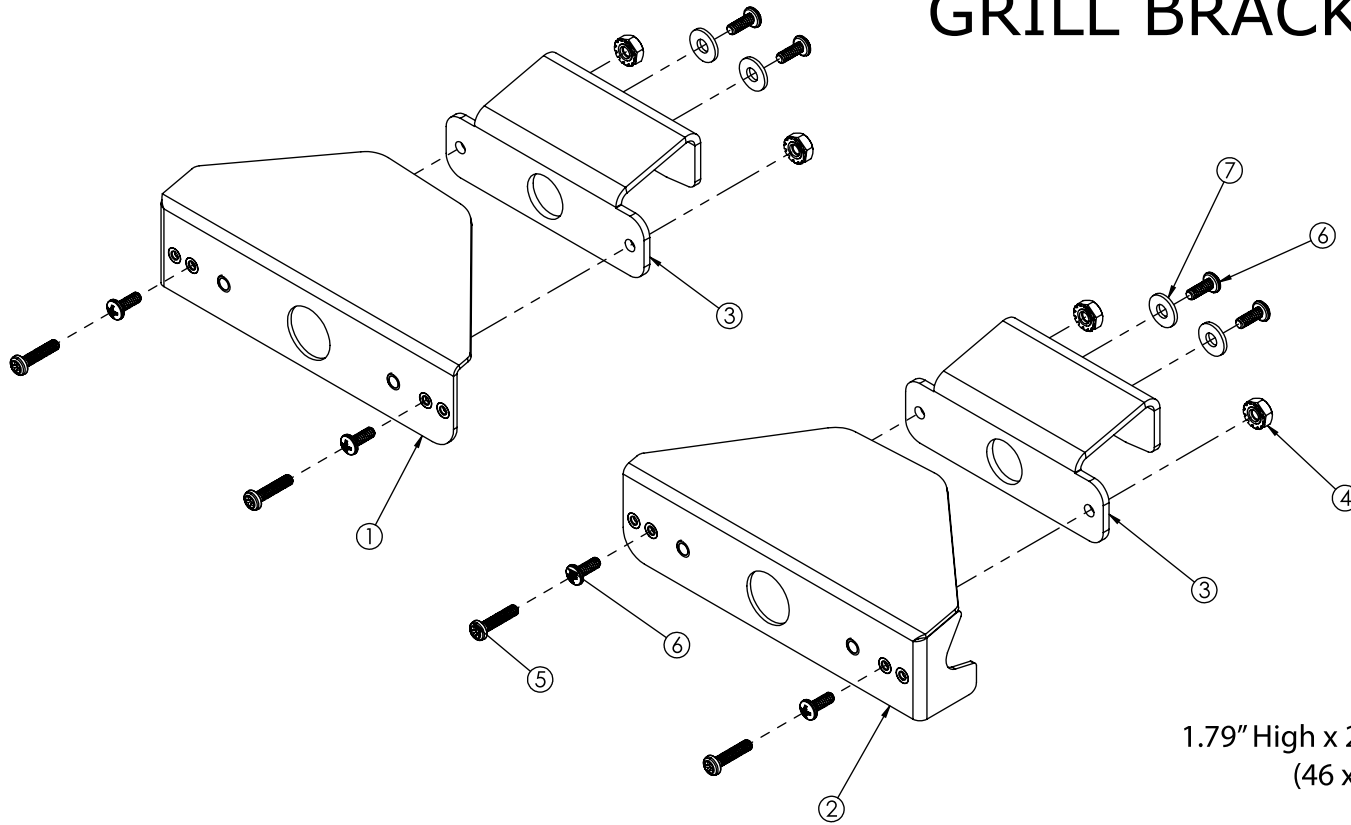


UPGMB-PIU

2015+ Ford PI Utility

GRILL BRACKET



1.79" High x 2.19" Deep x 5.25" Wide
(46 x 56 x 133 mm)

SUPPORTED LIGHTHEADS



MR6



M180



XT4



MEGA THIN