

料號：ZCAR-F07-CO3

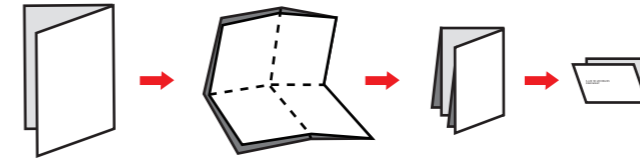
尺寸：A3(420x297mm)

編號：GD102XXXXXX

材質：雙面彩色印刷, 120P道林紙

日期：20130731(版本1.0)

摺法：對折加十字摺三摺



# INSTALLATION & OPERATION MANUAL 12/24VDC



LIGHTHEAD x 2pcs



MOUNTING GROMMET x 2pcs



EXTENSION CABLE



LED CONTROLLER

## 4 Pack LED H-A-B (Hide-A-Blast) Exterior

**WARNING:** This product contains high intensity LED devices. To prevent eye damage, DO NOT stare into the light beam at close range.

**WARNING:** The use of this or any warning device does not ensure that all drivers can or will observe or react to an emergency warning signal. Never take the right-of-way for granted. It is your responsibility to be sure you can proceed safely before entering an intersection, driving against traffic, responding at a high rate of speed, or walking on or around traffic lanes. The effectiveness of this warning device is highly dependent upon correct mounting and wiring. Read and follow the manufacturer's instructions before installing or using this device. The vehicle operator should insure daily that all features of the device operate correctly. In use, the vehicle operator should insure the projection of the warning signal is not blocked by vehicle components (i.e.: open trunks or compartment doors), people, vehicles, or other obstructions. This equipment is intended for use by authorized personnel only. It is the user's responsibility to understand and obey all laws regarding emergency warning devices. The user should check all applicable city, state and federal laws and regulations. Code 3, Inc., assumes no liability for any loss resulting from the use of this warning device. Proper installation is vital to the performance of this warning device and the safe operation of the emergency vehicle. It is important to recognize that the operator of the emergency vehicle is under psychological and physiological stress caused by the emergency situation. The warning device should be installed in such a manner as to: A) Not reduce the output performance of the system, B) Place the controls within convenient reach of the operator so that he can operate the system without losing eye contact with the roadway. Emergency warning devices often require high electrical voltages and/or currents. Properly protect and use caution around live electrical connections. Grounding or shorting of electrical connections can cause high current arcing, which can cause personal injury and/or severe vehicle damage, including fire. **PROPER INSTALLATION COMBINED WITH OPERATOR TRAINING IN THE PROPER USE OF EMERGENCY WARNING DEVICES IS ESSENTIAL TO INSURE THE SAFETY OF EMERGENCY PERSONNEL AND THE PUBLIC.**

**INSTALLER:** This manual must be delivered to the end user of this equipment.

**Introduction:** Read all instructions and warnings before installing and using. The 4 Pak HAB Lights are for the emergency vehicle market. The lights are to be connected through the Controller unit supplied in the kit, to a switch connected directly to the +VDC power source in the vehicle.

**Unpacking & Pre-Installation:** Carefully remove the hardware, taking care not to scratch the lens, and inspect for transit damage. Report any damage to the carrier and keep the shipping carton. Test the lights before installation. To test, touch the black wire to the ground and the red wire to +VDC. If problems occur, contact the factory.

## WARRANTY

Code 3®, Inc.'s emergency devices are tested and found to be operational at the time of manufacture. Provided they are installed and operated in accordance with manufacturer's recommendations, Code 3®, Inc. guarantees all parts and components except the lamps to a period of 1 year, LED Light head modules to a period of 5 years (unless otherwise expressed) from the date of purchase or delivery, whichever is later. Units demonstrated to be defective within the warranty period will be repaired or replaced at the factory service center at no cost.

Use of lamp or other electrical load of a wattage higher than installed or recommended by the factory, or use of inappropriate or inadequate wiring or circuit protection causes this warranty to become void. Failure or destruction of the product resulting from abuse or unusual use and/or accidents is not covered by this warranty. Code 3®, Inc. shall in no way be liable for other damages including consequential, indirect or special damages whether loss is due to negligence or breach of warranty.

**CODE 3®, INC. MAKES NO OTHER EXPRESS OR IMPLIED WARRANTY INCLUDING, WITHOUT LIMITATION, WARRANTIES OF FITNESS OR MERCHANTABILITY, WITH RESPECT TO THIS PRODUCT.**

## PRODUCT RETURNS

If a product must be returned for repair or replacement\*, please contact our factory to obtain a Return Goods Authorization Number (RGA number) before you ship the product to Code 3®, Inc. Write the RGA number clearly on the package near the mailing label. Be sure you use sufficient packing materials to avoid damage to the product being returned while in transit.

\*Code 3®, Inc. reserves the right to repair or replace at its discretion. Code 3®, Inc. assumes no responsibility or liability for expenses incurred for the removal and/or reinstallation of products requiring service and/or repair; nor for the packaging, handling, and shipping; nor for the handling of products returned to sender after the service has been rendered.

**Problems or Questions? Call The Technical Assistance HOTLINE - (314) 996-2800**



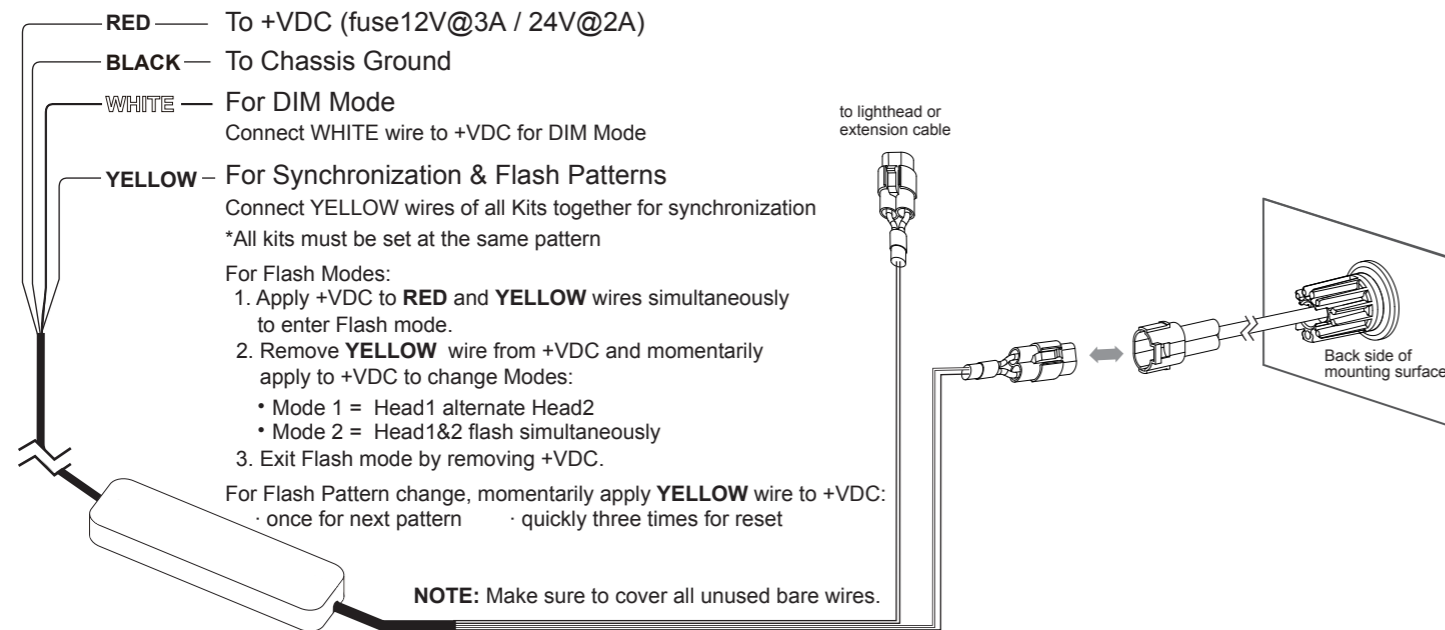
Code 3, Inc.  
10986 N. Warson Road  
St. Louis, Missouri 63114-2029—USA  
Ph. (314) 426-2700 Fax (314) 426-1337  
www.code3pse.com

Code 3, Inc., a subsidiary of  
Public Safety Equipment, Inc.

Code 3 is a registered trademark of  
Code 3, Inc.

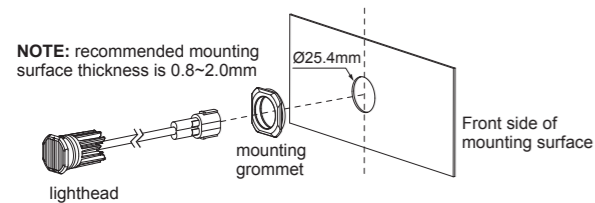
## Installation & Mounting

1. Select location to mount LED CONTROLLER.
2. Use double-sided tape (or similar) and mount on clean surface.
3. Route RED and BLACK wires to vehicle power source.
4. Select desired Flash Pattern using YELLOW wire.

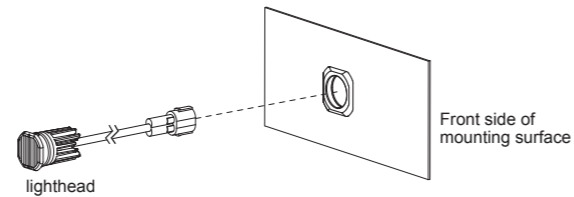


## INSTALLATION - FLUSH MOUNT

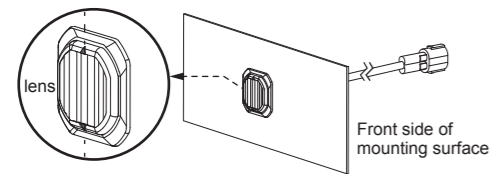
- 1 Select mounting location and drill 1" (25.4mm) hole.



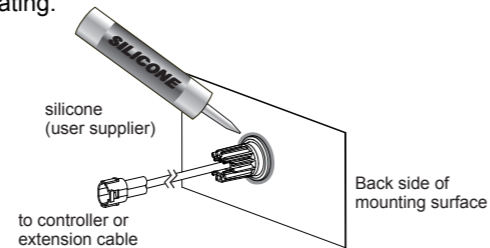
- 2 From the front side, install MOUNTING GROMMET into the hole, and then insert LIGHTHEAD.



- 3 Ensure that triangle marks on the lens are aligned vertically.

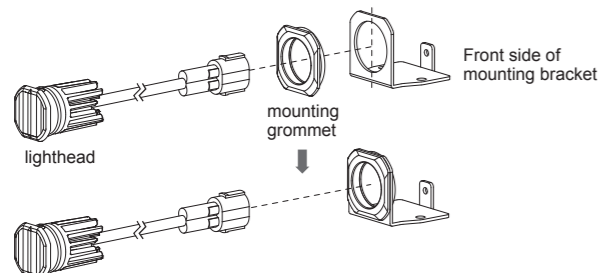


- 4 Where necessary, apply silicone on the back side to prevent from rotating.

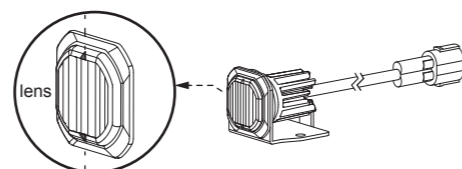


## INSTALLATION - BRACKET MOUNT (sold-separately)

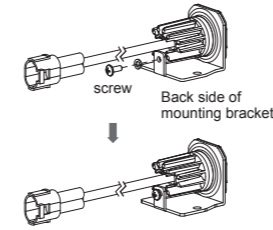
- 1 From the front side, install MOUNTING GROMMET into the hole, and then insert LIGHTHEAD.



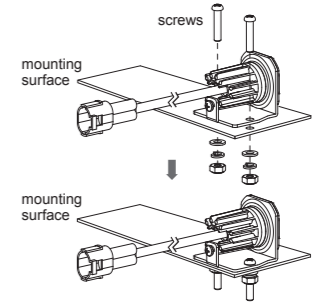
- 2 Ensure that triangle marks on the lens are aligned vertically.



- 3 Secure LIGHTHEAD onto BRACKET with screw.



- 4 Secure BRACKET onto mounting surface with screws.



## Power Requirements

### CURRENT DRAW

Maximum: 2.4 amp @12VDC / 1.2 amp @24VDC  
Average: 1.2 amp @12VDC / 0.6 amp @24VDC

## FLASH PATTERN SELECTION

Any one of the 14 Flash Patterns may be selected by using the yellow wire to scroll through the patterns. Momentarily apply the yellow wire to +VDC to switch to the next pattern. The following patterns are available.

- |               |                 |
|---------------|-----------------|
| 1. Single-2Hz | 8. Quad         |
| 2. Double-R65 | 9. Quint        |
| 3. Triple-2Hz | 10. Mega        |
| 4. Quad-2Hz   | 11. Ultra       |
| 5. Random     | 12. Single-Quad |
| 6. Single     | 13. Single H/L  |
| 7. Double     | 14. Steady      |

**NOTE:** Flash Pattern #2 must be selected to conform with requirements of ECE Regulation 65. A single lighthouse is approved, so both simultaneous and alternating flashing meets R65.

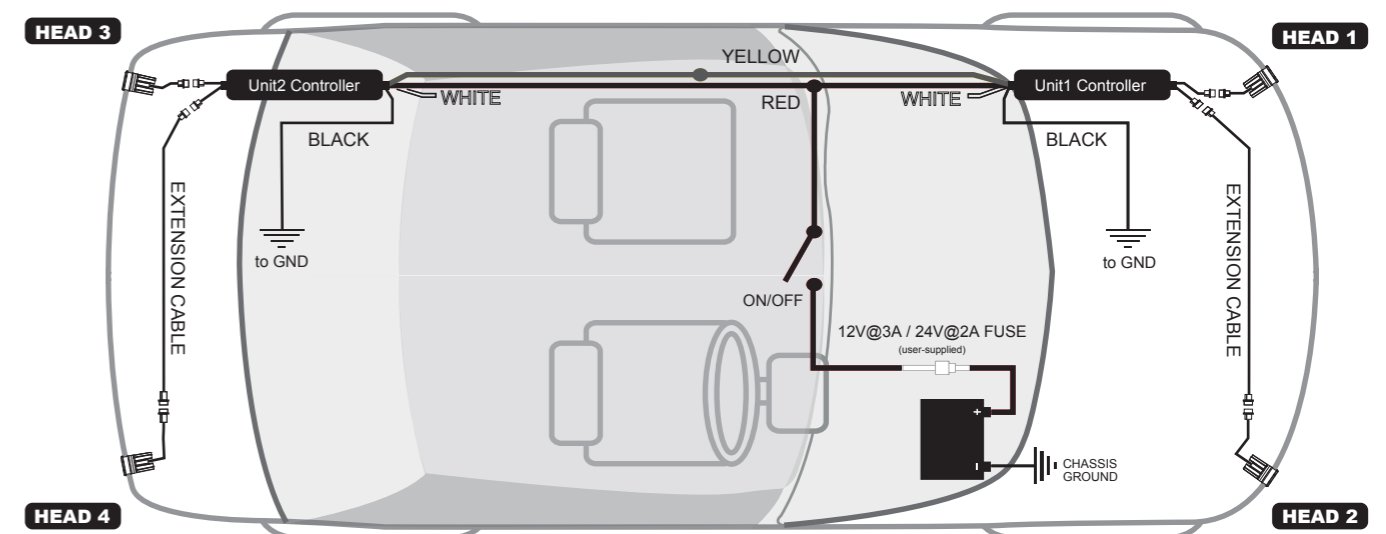
## WIRING 2 KITS TOGETHER

Below is an illustration of wiring 2 kits together. In this configuration, Heads 1&3 flash together and Heads 2&4 flash together.

- If Flash Mode 1 is selected: Heads 1&3 will alternate with Heads 2&4.
- If Flash Mode 2 is selected: all Heads 1&2&3&4 will flash simultaneously.

**NOTE:** To have Heads 1&4 alternate with 2&3, simply reverse the lighthouse outlets on one of the Controllers; (both kits must be in Flash Mode 1).

\*refer to Flash Patterns chart on opposite page.



**NOTE:** Controller mounting area varies from vehicle to vehicle. (Illustration not to scale)