

### 9 LED Square Lamp



CW2310

## Heavy Duty Worklights

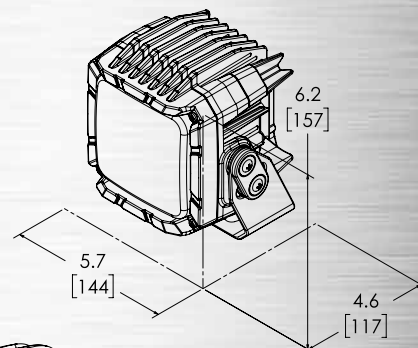
### High Powered, Heavy Duty Lights

#### DESIGN FEATURES

- Clear polycarbonate lens
- Nine 10-watt LEDs
- Aluminum heat sink housing
- Heavy duty stainless steel articulating bracket

#### SPECIFICATIONS

- Dimensions: 5.7" W x 6.2" H x 4.6" D (145 x 157.5 x 16.8 mm)
- 12/24VDC
- 5.3 amps and 63.6 average watts
- IP69K, CISPR 25
- Flood lumen output is 4950 raw/3600 effective
- Spot flood lumen output is 5100 raw/3600 effective
- 3-year warranty



### 6 LED Rectangular Lamp



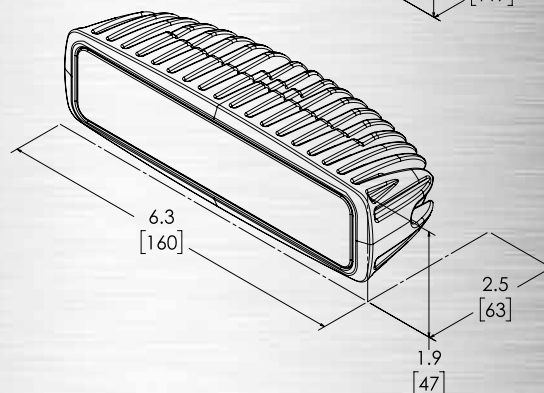
CW2440

#### DESIGN FEATURES

- Clear polycarbonate lens
- Six 3-watt LEDs
- Aluminum heat sink housing

#### SPECIFICATIONS

- Dimensions: 6.3" W x 1.9" H x 2.5" D (160 x 47 x 63 mm)
- 12/24VDC
- 1.2 amps and 14.4 average watts
- Flood/spot lumen output is 1100 raw/950 effective
- 2-year warranty



CW2101

## Universal Worklight

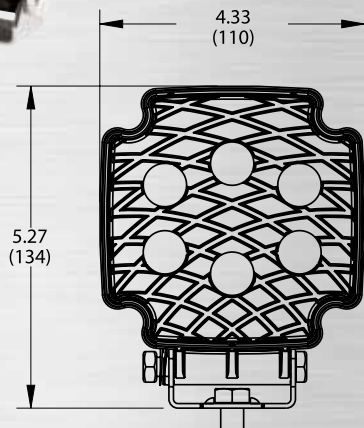
### Long-Lasting, Universal Worklight

The CW2101 worklight is a long-lasting, universal worklight designed to meet the needs of any work environment.



#### DESIGN FEATURES

- Six 3-watt LEDs
- Modern square housing
- Aluminum heatsink housing
- Polycarbonate lens
- Zinc plated steel mounting bracket



#### SPECIFICATIONS

- 4.3" L x 5.3" H x 2.2" D (110 mm x 134 mm x 55 mm)
- 12/24VDC
- 1.9 ampere
- 1650 raw lumens
- CE, R10, and IP67 rated
- 3-year warranty

