

INSTALLATION & OPERATION MANUAL

275/275AH/275ASH/
275AMH BEACON



Code 3, Inc., a subsidiary of
Public Safety Equipment, Inc.

CODE 3[®]
PUBLIC SAFETY EQUIPMENT, INC.

275 Beacon

12v MODELS

PERMANENT, MAGNETIC MOUNT BEACONS

Contents:

Introduction	2
Unpacking & Pre-Installation	2
Installation & Mounting	2
Magnetic Mounting	3
Permanent Mounting	3
Wiring Instructions	5
Maintenance	6
Drill Template.....	7
Warranty	8

IMPORTANT:

Read all instructions and warnings before installing and using.

INSTALLER

This manual must be delivered to the end user of this equipment.

Introduction

The 275 Beacon has a sleek, aerodynamic profile and is a powerful mid-sized, magnetically or permanently mounted warning device. This product complies with SAE W3-1 97, EMC Directives 95/54/EC and 89/336/EC



The use of this or any warning device does not insure that all drivers can or will observe or react to an emergency warning signal. Never take the right-of-way for granted. It is your responsibility to be sure you can proceed safely before entering an intersection, driving against traffic, responding at a high rate of speed, or walking on or around traffic lanes. The effectiveness of this warning device is highly dependent upon correct mounting and wiring. Read and follow the manufacturer's instructions before installing or using this device. The vehicle operator should insure daily that all features of the device operate correctly. In use, the vehicle operator should insure the projection of the warning signal is not blocked by vehicle components (i.e.: open trunks or compartment doors), people, vehicles, or other obstructions.

This equipment is intended for use by authorized personnel only. It is the user's responsibility to understand and obey all laws regarding emergency warning devices. The user should check all applicable city, state and federal laws and regulations.

Code 3, Inc., assumes no liability for any loss resulting from the use of this warning device. Proper installation is vital to the performance of this warning device and the safe operation of the emergency vehicle. It is important to recognize that the operator of the emergency vehicle is under psychological and physiological stress caused by the emergency situation. The warning device should be installed in such a manner as to: A) Not reduce the output performance of the system, B) Place the controls within convenient reach of the operator so that he can operate the system without losing eye contact with the roadway.

Emergency warning devices often require high electrical voltages and/or currents. Properly protect and use caution around live electrical connections. Grounding or shorting of electrical connections can cause high current arcing, which can cause personal injury and/or severe vehicle damage, including fire.

PROPER INSTALLATION COMBINED WITH OPERATOR TRAINING IN THE PROPER USE OF EMERGENCY WARNING DEVICES IS ESSENTIAL TO INSURE THE SAFETY OF EMERGENCY PERSONNEL AND THE PUBLIC.

Unpacking & Pre-installation

Carefully remove the beacon and place it on a flat surface, taking care not to scratch the lens. Examine the unit for transit damage, broken lamps, etc.

If it is convenient, you may wish to test the unit before installation. To test, touch the black wire to the negative ground (earth) and the red wire to the +12 Volts D.C. A battery may be used for this purpose. If the vehicle has an electrical system other than 12 Volts D.C. negative ground (earth), and you have not ordered a specially wired beacon, contact your local representative or call the factory for instructions.

Installation & Mounting

The 275 Beacon may be mounted magnetically or permanently on the roof of the vehicle, or other mounting surface.

Overall Size : 5.938 Dia. X 5.775 Tall. Magnetic Mount Models.
6.125 Dia. X 6.125 Tall.

General

All devices should be mounted in accordance with the manufacturer's instructions and securely fastened to vehicle elements of sufficient strength to withstand the forces applied to the device. Driver and/or passenger air bags (SRS) **will** affect the way equipment should be mounted. This device should be mounted by permanent installation and within the zones specified by the vehicle manufacturer, if any. Any device mounted in the deployment area of an air bag will damage or reduce the effectiveness of the air bag and may damage or dislodge the device. Installer must be sure that this device, its mounting hardware and electrical supply wiring does not interfere with the air bag or the SRS wiring or sensors. Front or rear grille/bumper placement must avoid interference with SRS sensors. Mounting the unit inside the vehicle by a method other than permanent installation is not recommended as unit may become dislodged during swerving, sudden braking or collision. Failure to follow instructions can result in personal injury.

Magnetic Mounting



WARNING!

- 1) Rust Stains: The magnetic mount is not intended as a permanent mounting for the beacon. Long duration usage of any magnet will expose the high iron content of the steel causing rust. The device should be removed when not used to prevent rust stains. Metallic debris collected by the magnet will also contribute to rust stains. Insure that the magnet is kept clean.
 - 2) Surface rust stains can usually be removed with chrome polish, available at most auto part stores.
 - 3) As with any magnetically-mounted warning device, its use on the exterior of a moving vehicle is at the sole discretion and responsibility of the user.
- This magnetic mount product provides a secure, temporary installation in most circumstances and is recommended for stationary use only. For maximum warning signal, mount the beacon on the highest possible flat, level surface of the vehicle.

The 275 Magnetic Based Beacon provides a secure, temporary installation in most circumstances. The beacon should be placed in the center of the roof where the least amount of curvature occurs. The beacon should not be used on a vinyl covered roof. Before installing, check the magnet for clinging debris. Any foreign matter can reduce holding power and scratch your vehicle's paint. The roof surface should be dry and have a dull, not glossy finish. A glossy, highly waxed finish will reduce the friction; and the magnet, though quite powerful, will have a greatly reduced effect. Place and remove your beacon without sliding to avoid scratching. When removing, lift one edge straight up without sliding. The suction/magnetic mount has a tab to release the suction, refer to Figure 1.

When the beacon is placed on the roof, it should adhere firmly to the surface. If the unit slides or moves easily, a proper installation has not been obtained, most probably for one of the reasons mentioned above. In this situation, the user should not attempt to drive with the beacon in place. If the user has attempted to obtain a good installation and still has questions, we recommend that the user (customer) contact his/her distributor or the factory.

Do not install the beacon closer than 20" to any antenna or aerial.

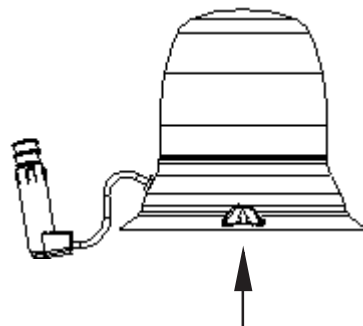


FIGURE 1

LIFT UP TO RELEASE

Permanent Mounting

The 275 Permanent Mount Beacon provides a secure, permanent installation. To begin installation, consider where the wire routing will be located. Electrical cables can affect other equipment! Route product supply cables away from sensitive cables (e.g. radio, aeriels and anti-lock braking systems etc.) If this is not possible, cross the cables at 90 Deg. Using the enclosed template, refer to Figure 5 on page 7, mark the centers for mounting holes on the vehicle roof or mounting surface. Drills can be dangerous! Make sure the person operating the drill is trained and takes adequate safety precautions. Drill a .250" hole through all 3 centers, a .500" hole at the center and remove any burrs. Place the supplied mounting gasket in position, refer to Figure 2. Run the supplied M6 machine screws through the drilled holes (For thicker surfaces use longer screws). Place one nut, with lock washer, onto each screw and tighten screws until base is properly secured to mounting surface. Number 8 self-tapping sheet metal screws (user supplied) may be substituted for the bolts and threaded into the bosses molded in the base.



SUPPLIED MOUNTING GASKET

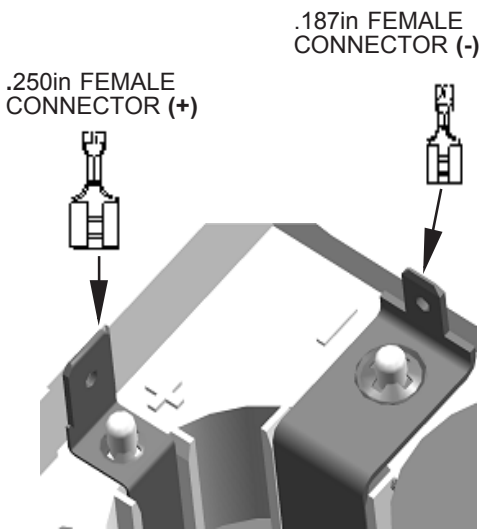
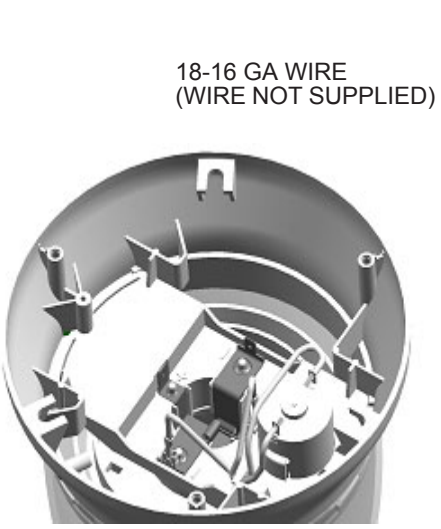
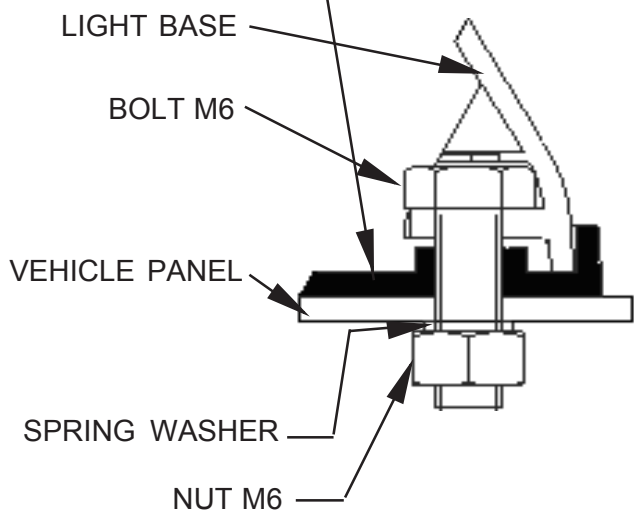
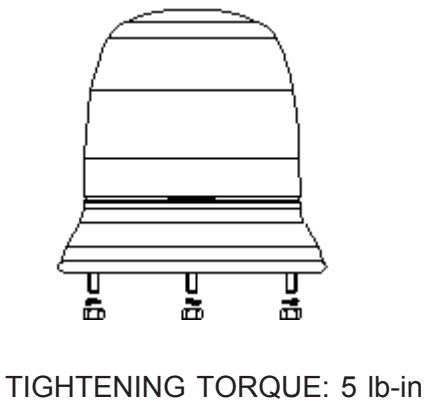


FIGURE 2

Wiring Instructions



WARNING!

Larger wires and tight connections will provide longer service life for components. For high current wires it is highly recommended that terminal blocks or soldered connections be used with shrink tubing to protect the connections. Do not use insulation displacement connectors (e.g. 3M® Scotchlock type connectors). Route wiring using grommets and sealant when passing through compartment walls. Minimize the number of splices to reduce voltage drop. High ambient temperatures (e.g. under-hood) will significantly reduce the current carrying capacity of wires, fuses, and circuit breakers. Use "SXL" type wire in engine compartment. All wiring should conform to the minimum wire size and other recommendations of the manufacturer and be protected from moving parts and hot surfaces. Looms, grommets, cable ties, and similar installation hardware should be used to anchor and protect all wiring.

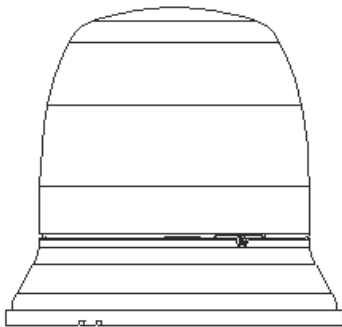
Fuses or circuit breakers should be located as close to the power takeoff points as possible and properly sized to protect the wiring and devices.

Particular attention should be paid to the location and method of making electrical connections and splices to protect these points from corrosion and loss of conductivity. Ground terminations should only be made to substantial chassis components, preferably directly to the vehicle battery.

The user should install a fuse sized to approximately 125% of the maximum Amp capacity in the supply line to protect against short circuits. For example, a 30 Amp fuse should carry a maximum of 24 Amps. **DO NOT USE 1/4" DIAMETER GLASS FUSES AS THEY ARE NOT SUITABLE FOR CONTINUOUS DUTY IN SIZES ABOVE 15 AMPS.** Circuit breakers are very sensitive to high temperatures and will "false trip" when mounted in hot environments or operated close to their capacity.

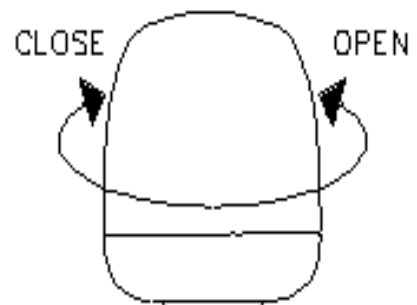
275 Magnetic Mount Beacon - The 275 Beacon can be equipped with a cord that plugs into a 12 Volt D.C. cigarette lighter; rotate and push with reasonable moderate force which insures the best possible connection.

275 Permanent Mount Beacon - The 275 beacon is designed to operate on a 12 Volt D.C. negative ground (earth) system. Use #18 GA. or larger wires. Connect black lead to vehicle chassis (earth), or preferably the negative (earth) terminal of the battery. Bring the red lead to the user supplied control switch, and then to the battery or to the stud on the battery side of the starter solenoid or alternator. Install a fuse or circuit breaker of 8 Amp capacity in the supply line to protect the vehicle's wiring system against short circuits.



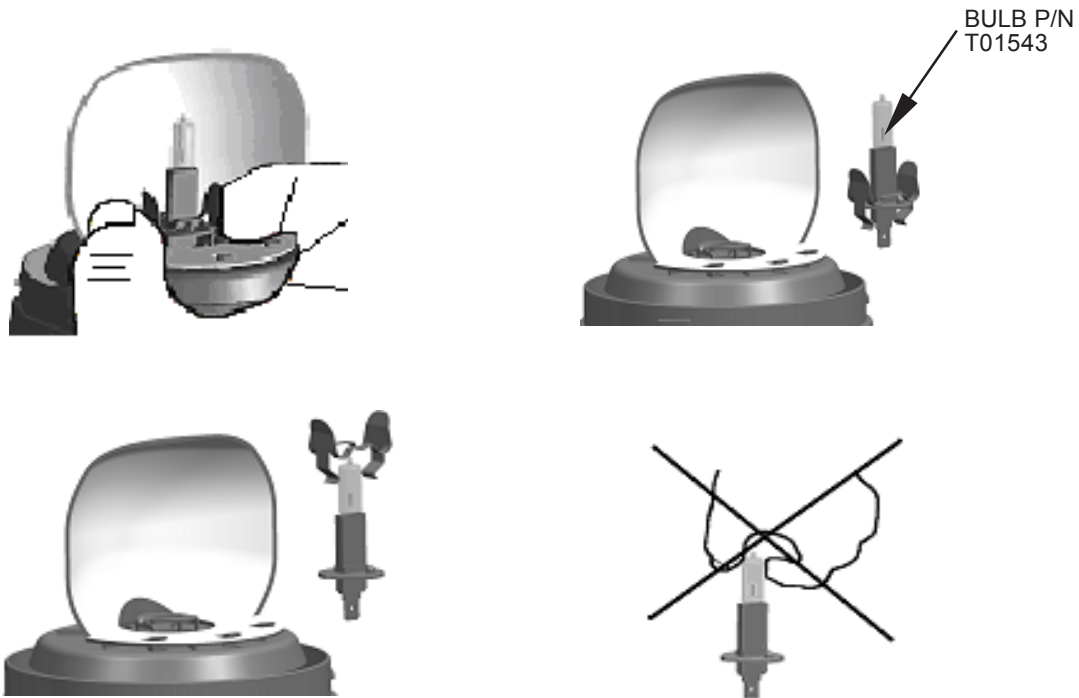
ANTI-THEFT SCREW

LENS P/N	COLOR
T07982	RED
T07983	BLUE
T07984	AMBER



LENS OPENING AND CLOSING

WARNING: RATED VOLTAGE IS INDICATED ON THE BACK OF REFLECTOR



12v APPLICATIONS ONLY

DO NOT TOUCH GLASS PORTION OF LAMP

FIGURE 4

Maintenance

Do not oil or grease this unit. It is constructed with permanently lubricated bearings which do not need lubrication. Keep the unit clean by disassembling it and clearing any debris or dirt. Clean lens and base with mild soap and water, or CODE 3® lens polish using a soft cloth. The lens may be removed, and the lamps replaced as shown in Figure 4. Use only lamps with the same rated wattage and voltage.



WARNING!

Lamps are extremely hot! Allow to cool completely before attempting to remove. Gloves and eye protection should be worn when handling halogen lamps as they are pressurized and accidental breakage can result in flying glass.

Use no SOLVENTS on lens.

Failure to follow above warnings or installation and user instructions can result in loss of warranty coverage.

Drill Template

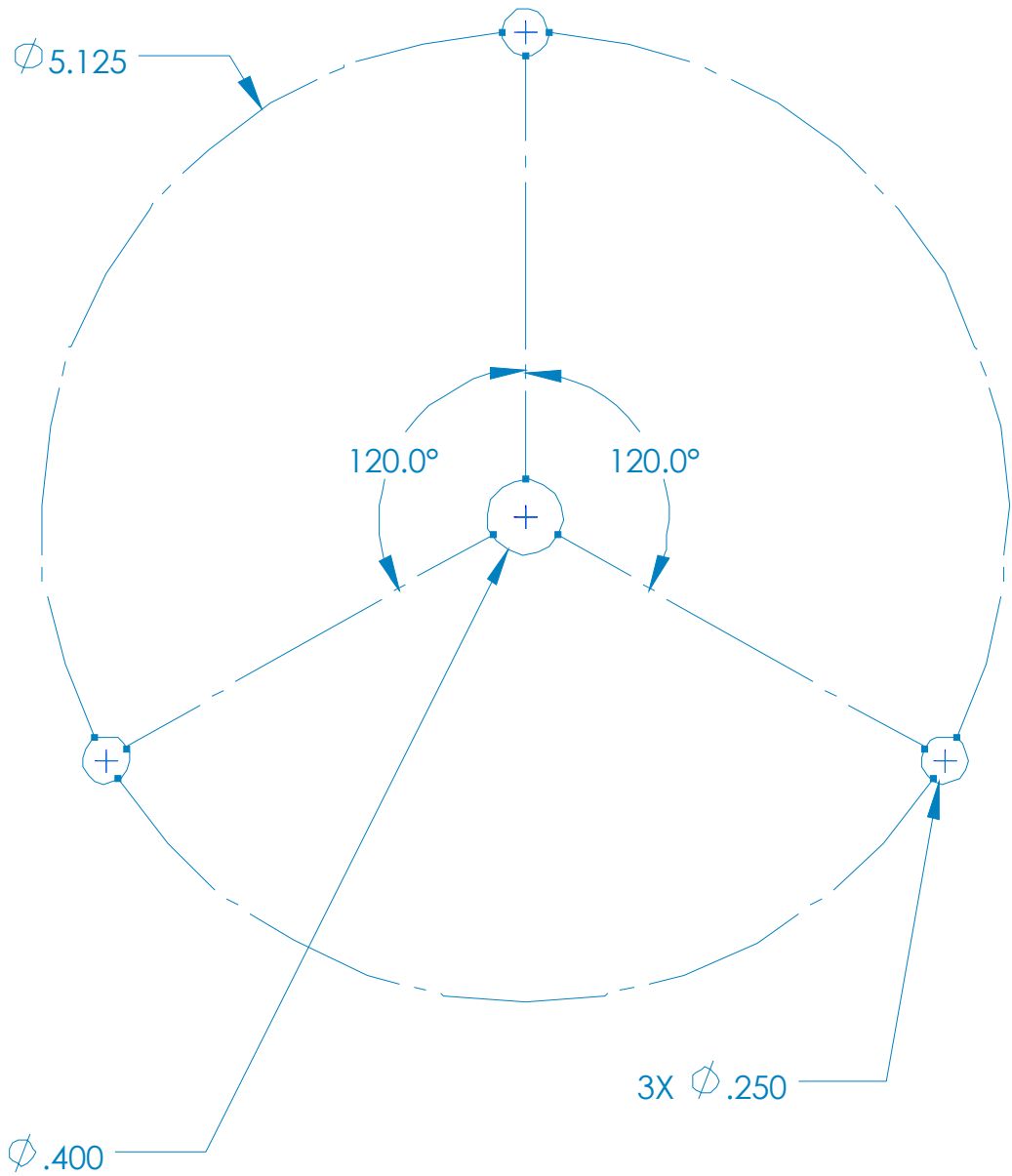


FIGURE 5
NOT TO SCALE

WARRANTY

Code 3, Inc.'s emergency devices are tested and found to be operational at the time of manufacture. Provided they are installed and operated in accordance with manufacturer's recommendations, Code 3, Inc. guarantees all parts and components except the lamps to a period of 1 year (unless otherwise expressed) from the date of purchase or delivery, whichever is later. Units demonstrated to be defective within the warranty period will be repaired or replaced at the factory service center at no cost.

Use of lamp or other electrical load of a wattage higher than installed or recommended by the factory, or use of inappropriate or inadequate wiring or circuit protection causes this warranty to become void. Failure or destruction of the product resulting from abuse or unusual use and/or accidents is not covered by this warranty. Code 3, Inc. shall in no way be liable for other damages including consequential, indirect or special damages whether loss is due to negligence or breach of warranty.

CODE 3, INC. MAKES NO OTHER EXPRESS OR IMPLIED WARRANTY INCLUDING, WITHOUT LIMITATION, WARRANTIES OF FITNESS OR MERCHANTABILITY, WITH RESPECT TO THIS PRODUCT.

PRODUCT RETURNS

If a product must be returned for repair or replacement*, please contact our factory to obtain a Return Goods Authorization Number (RGA number) before you ship the product to Code 3, Inc. Write the RGA number clearly on the package near the mailing label. Be sure you use sufficient packing materials to avoid damage to the product being returned while in transit.

*Code 3, Inc. reserves the right to repair or replace at its discretion. Code 3, Inc. assumes no responsibility or liability for expenses incurred for the removal and /or reinstallation of products requiring service and/or repair.; nor for the packaging, handling, and shipping; nor for the handling of products return to sender after the service has been rendered.

Public Safety Equipment, Inc.
10986 N. Warson Road
St. Louis, Missouri 63114-2029—USA
Ph. (314) 426-2700 Fax (314) 426-1337
www.code3pse.com

Code 3 is a registered trademarks of
Public Safety Equipment, Inc.

Code 3,® Inc., a subsidiary of
Public Safety Equipment, Inc.

Revision 1 5/03 - Instruction Book Part No. T07948
©2002 Public Safety Equipment, Inc. Printed in USA