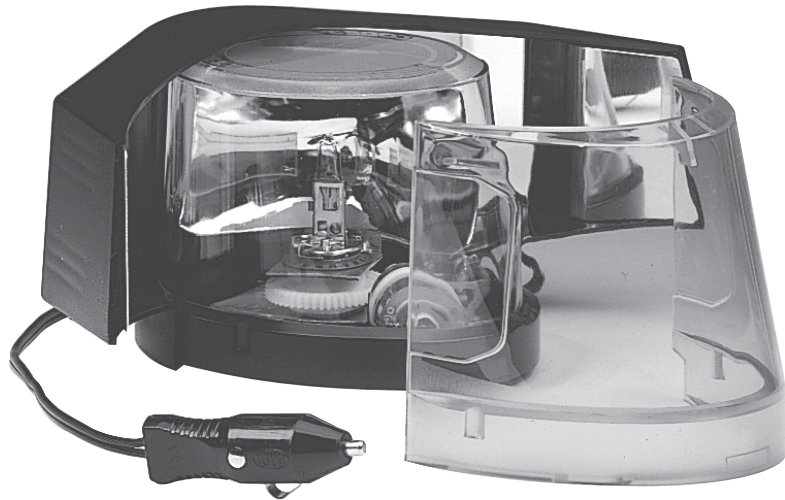


# INSTALLATION & OPERATION MANUAL

**MODEL 660**

Patent Number 4,931,768



Code 3, Inc., a subsidiary of  
Public Safety Equipment, Inc.

**CODE 3**<sup>®</sup>  
PUBLIC SAFETY EQUIPMENT, INC.

# *Dash Laser*

**MODEL 660**  
**PORTABLE WARNING LIGHT**

**Contents:**

Introduction (with warnings).....	2
Unpacking & Pre-Installation .....	2
Installation & Mounting .....	3
Magnetic Mounting .....	3
Roof Mounting .....	4
Interior Mounting.....	4
Permanent Mounting .....	5
Pole or Stanchion Mounting .....	6
Direct Wiring .....	6
Maintenance .....	7
Options & Specifications .....	7
Parts List (Replacement Parts/Exploded View) .	8
Warnings for Lighting Products .....	9-10
Troubleshooting .....	11
Warranty .....	12

**IMPORTANT:**

*Read all instructions and warnings before installing and using.*

**INSTALLER:** *This manual must be delivered to the end user of this equipment.*

# Introduction

The Code 3® DashLaser® is a powerful warning device that exceeds all minimum SAE Class 1 standards for 360° warning lights. It is actually brighter than some "full-sized" light bars.

The DashLaser is a rugged unit, designed for long service life in interior or exterior applications. Each unit comes with a snap-on, fast release blinder that is specifically designed for continuous use on the DashLaser without causing damage to the device. A multipurpose mounting system is also standard.



The use of this or any warning device does not insure that all drivers can or will observe or react to an emergency warning signal. Never take the right-of-way for granted. It is your responsibility to be sure you can proceed safely before entering an intersection, driving against traffic, responding at a high rate of speed, or walking on or around traffic lanes.

The effectiveness of this warning device is highly dependent upon correct mounting and wiring. Read and follow the manufacturer's instructions before installing or using this device. The vehicle operator should insure daily that all features of the device operate correctly. In use, the vehicle operator should insure the projection of the warning signal is not blocked by vehicle components (i.e.: open trunks or compartment doors), people, vehicles, or other obstructions. This equipment is intended for use by authorized personnel only. It is the user's responsibility to understand and obey all laws regarding emergency warning devices. The user should check all applicable city, state and federal laws and regulations.

*Code 3, Inc., assumes no liability for any loss resulting from the use of this warning device.*

Proper installation is vital to the performance of this warning device and the safe operation of the emergency vehicle. It is important to recognize that the operator of the emergency vehicle is under psychological and physiological stress caused by the emergency situation. Warning devices should be installed in such a manner as to: A) Not reduce the output performance of the system, B) Place the controls within convenient reach of the operator so that he can operate the system without losing eye contact with the roadway. Strobe power supply and flash tubes utilize high electrical voltages and/or currents. Properly protect and use caution around live electrical connections. Grounding or shorting of electrical connections can cause high current arcing, which can cause personal injury and/or severe vehicle damage, including fire. Incandescent lamps are extremely hot, allow to cool completely before attempting to remove.

Any electronic device may create or be affected by electromagnetic interference. After installation of any electronic device operate all equipment simultaneously to insure that operation is free of interference. Never power emergency warning equipment from the same circuit or share the same grounding circuit with radio communication equipment.

**PROPER INSTALLATION COMBINED WITH OPERATOR TRAINING IN THE PROPER USE OF EMERGENCY WARNING DEVICES IS ESSENTIAL TO INSURE THE SAFETY OF EMERGENCY PERSONNEL AND THE PUBLIC.**

## Unpacking & Pre-Installation

**YOUR DASHLASER COMES WITH THESE ITEMS**  
(OPTIONAL IN SOME SPECIAL PACKAGES)

Carefully remove the beacon and place it on a flat surface, taking care not to scratch the lens. Examine the unit for transit damage, broken lamps, etc.

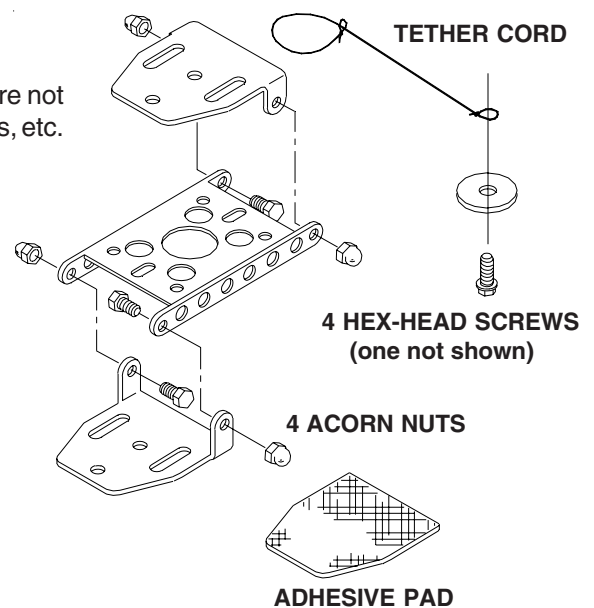
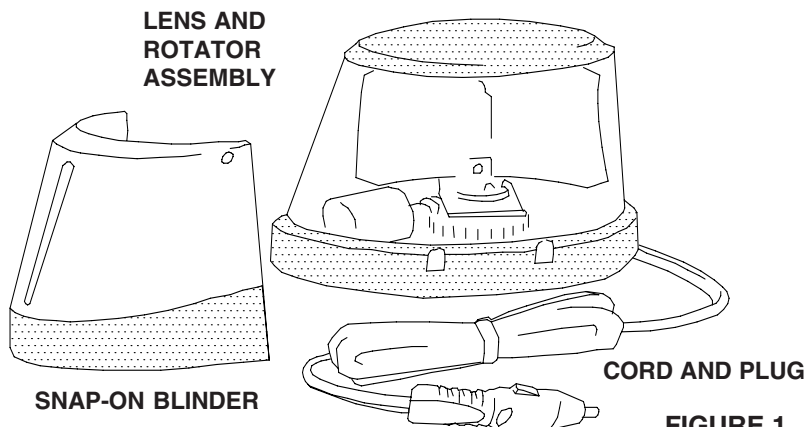


FIGURE 1

## Operation

The DashLaser® is designed to operate on a 12-volt DC system, with a 7-15 amp fuse.

To operate your DashLaser, just plug it into a cigarette lighter, rotate and push with reasonable, moderate force which insures the best possible connection. It should be very bright and rotating at 90-110 rpm. If it is not, check the troubleshooting guide on page 9 for appropriate action.

To remove the blinder, pull either side away from the lens dome. The blinder will not release if you pull back on it. To replace, line up the bottom of the blinder with the bottom of the dome and gently push until it snaps into place. The blinder will only fit on the sloped (motor) side of the dome. The additional snap notches are there for accessories.

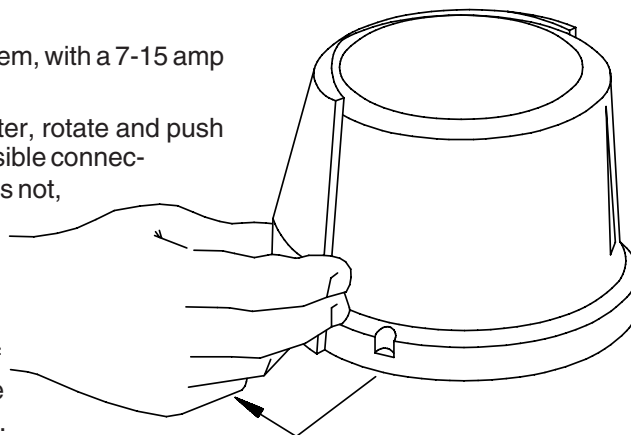


FIGURE 2

## Installation & Mounting



All devices should be mounted in accordance with the manufacturer's instructions and securely fastened to vehicle elements of sufficient strength to withstand the forces applied to the device. Driver and/or passenger air bags (SRS) **will** affect the way equipment should be mounted. This device should be mounted by permanent installation and within the zones specified by the vehicle manufacturer, if any. Any device mounted in the deployment area of an air bag will damage or reduce the effectiveness of the air bag and may damage or dislodge the device. Installer must be sure that this device, its mounting hardware and electrical supply wiring does not interfere with the air bag or the SRS wiring or sensors. Front or rear grille/bumper placement must avoid interference with SRS sensors. Mounting the unit inside the vehicle by a method other than permanent installation is not recommended as unit may become dislodged during swerving, sudden braking or collision. Failure to follow instructions can result in personal injury.

**Notice:** This device is only useful as an SAE Class 1 warning device when mounted properly.

### Magnetic Mounting



- 1) Rust Stains: The magnetic mount is not intended as a permanent mounting for the beacon. Long duration usage of any magnet will expose the high iron content of the steel as rust. The device should be removed when not used to prevent rust stains. Metallic debris collected by the magnet will also contribute to rust stains. Insure that the magnet is kept clean.
  - 2) Surface rust stains can usually be removed with chrome polish, available at most auto part stores.
  - 3) As with any magnetically-mounted warning device, its use on the exterior of a moving vehicle is at the sole discretion and responsibility of the user.
- This magnetic mount product provides a secure, temporary installation in most circumstances and is recommended for stationary use only. For maximum warning signal, mount the beacon on the highest possible flat, level surface of the vehicle.

**CAUTION:** The magnet on the DashLaser is powerful and very reliable except under extremely rough driving conditions, such as off-road and 4x4 use. When such rough conditions are anticipated, the DashLaser should be removed temporarily or permanently mounted.

Random or careless placement in or on the vehicle may not produce a safe in-motion warning signal. There is always great risk in breaking an intersection or driving in the oncoming lane of traffic. A poorly aimed warning light is very likely to lead to an accident.

To achieve the best signal, the DashLaser must be mounted level and unobstructed. "Blind spots" can be caused by door posts, an open trunk or hood, a passenger, the blinder, or vehicle operator. A full 360° signal can only be achieved when the DashLaser is mounted externally on the vehicle without the blinder.

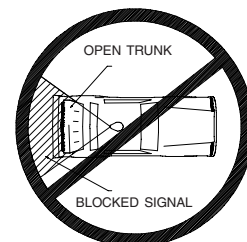
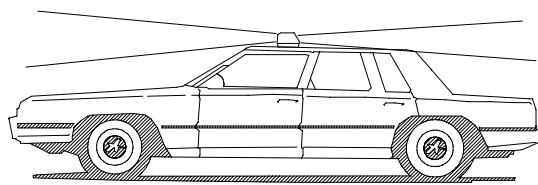


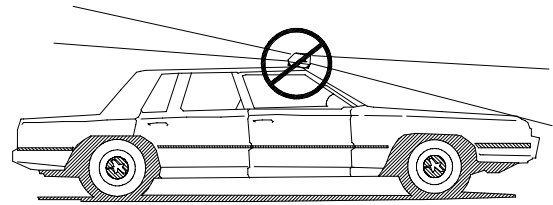
FIGURE 3

## Roof Mounting

1. Park the vehicle on level ground. Use a carpenter's spirit level to be sure.
  2. Place your DashLaser®, without the blinder, in the center of the roof.
  3. Using a spirit level on the top of the dome, carefully move the device to where it is level (do not slide as it could scratch the paint). This is the best location for maximum warning power. For future convenience, a small dot of tape could be left on the roof to allow rapid accurate placement.
- Be sure that the magnet is to the front of the vehicle and the slanted (motor) side is to the rear. The standard DashLaser magnet is very reliable, but IS NOT SUITABLE for in-motion use on vinyl or convertible tops.



CORRECT MOUNTING



INCORRECT MOUNTING

FIGURE 4

## Interior Mounting



This product is supplied with a tether cord for added user safety. **DO NOT** use this product without the tether cord properly installed.

Using non-factory specified screws and/or mounting brackets and/or the improper number of screws may result in failure of mounting system and severe damage to vehicle as well as loss of warranty coverage on the equipment.

See illustrations on page 4, 5 and 6 for proper installation of the tether cord when mounting inside vehicle.

Your DashLaser comes with a multipurpose mounting kit. For interior use the bracket can be mounted to clean glass or flat painted metal surfaces with the adhesive pad provided. The adhesive bonds quickly and requires the installer to read and understand this section before mounting.

1. Study the various mounting configurations in the illustrations on page 5 and assemble your bracket in the manner you think works best for your application.

2. Wash the window with a non-filming glass cleaner.

3. Place the magnet on the bracket assembly with tether cord as illustrated on page 6 and hold it in the desired position. Use a small level on the upper surface to square it up.

4. Once it is level and positioned to your liking, use a crayon or laundry marker to indicate the position. Do not mark in the area where adhesive will be applied.

5. Clean the mounting bracket face and let dry. Remove one adhesive pad liner and stick it to the bracket, rubbing down hard.

6. Remove the second liner from the pad. With the DashLaser off of the bracket, and placing your level horizontally on the bracket to keep it squared up right to left, press the bracket onto the window in the pre-marked position. Press firmly to assure good adhesion - you can look from the outside of a window to see if the surface is making good contact with no bubbles. Never attempt to make an adhesive bond when the surface or air temperature is below 50°F. It will not hold. Once a good bond is made, it is not sensitive to temperatures from -20° to +180°F. We do not recommend mounting to plastic dashboards with the adhesive pad since it will not form an adequate bond with some plastics. Two additional screws are included for attaching the bracket to surfaces where the self-adhesive pad cannot be used. See page 5 for "Permanent Mounting".

7. Once unit is attached, locate a place on or under the dash that is sheet metal for mounting the tether cord. Hold the free end of the cord in position and make sure the Dashlaser cannot reach the passenger or driver. Then attach tether cord to this section of sheet metal (not to plastic or rubber) as shown in figure 7.

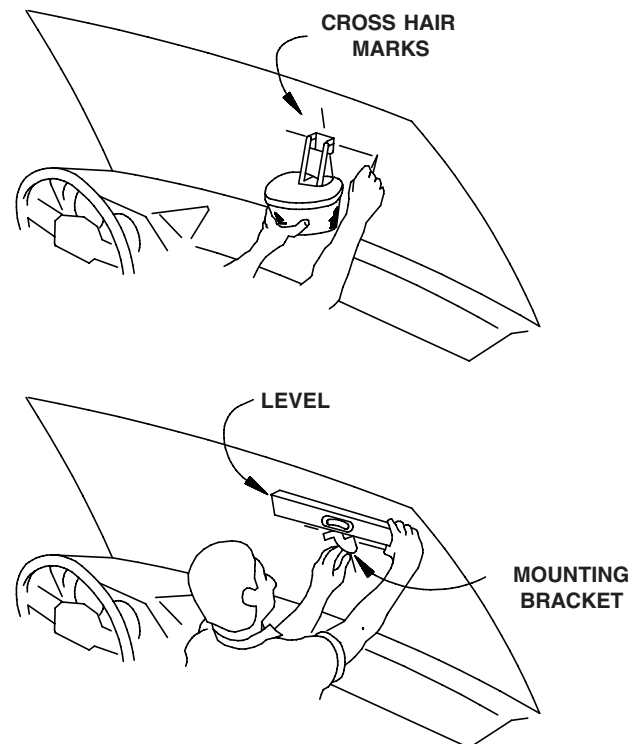


FIGURE 5

### Removing the Adhesive Pad

1. Heat the adhesive area from the opposite side with a hot air paint stripper or high-power hair dryer.
2. Carefully pry off with a wide flat head screwdriver or stiff putty knife.

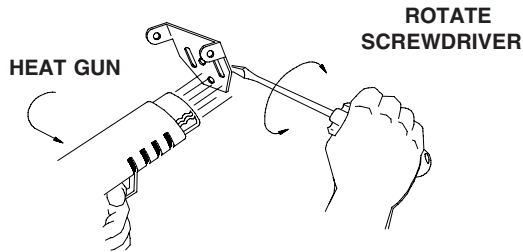


FIGURE 6

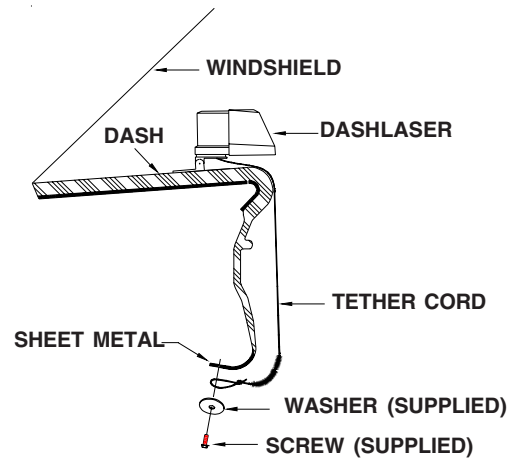


FIGURE 7

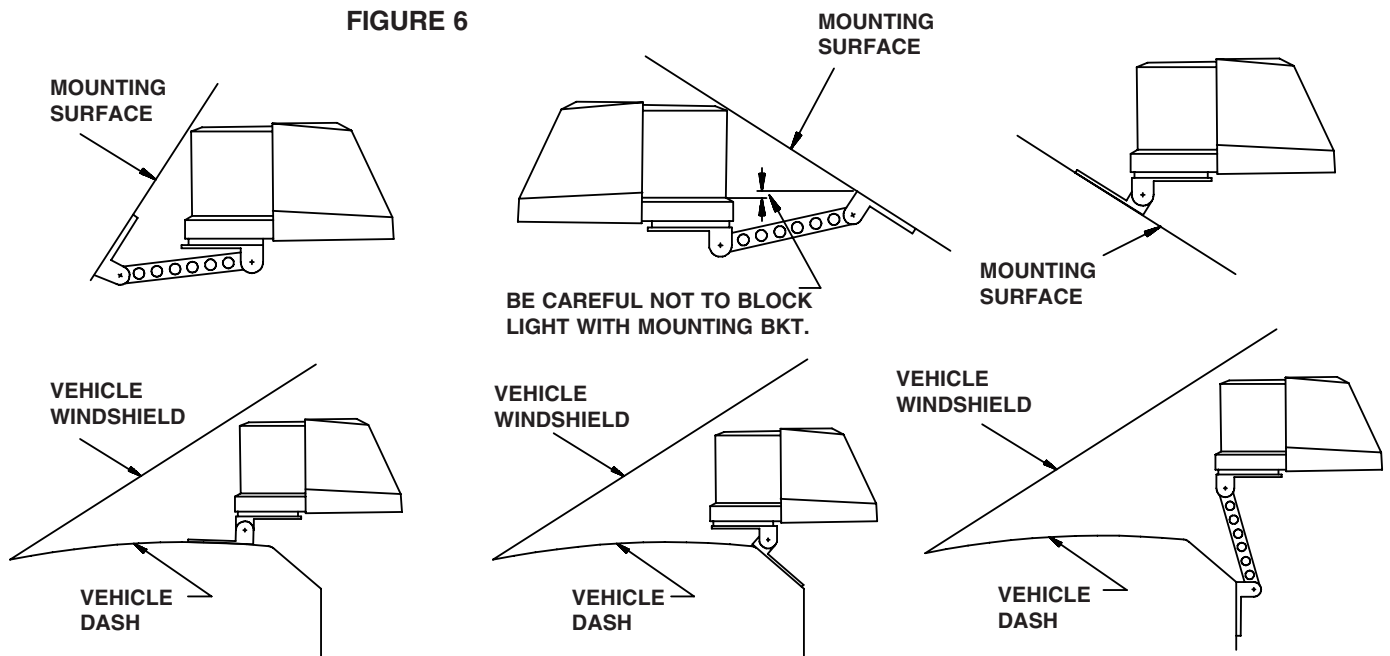


FIGURE 8

### Permanent Mounting



Using non-factory specified screws and/or mounting brackets and/or the improper number of screws may result in failure of mounting system and severe damage to persons or the vehicle as well as loss of warranty coverage on the equipment.

1. Assemble and set up the bracket similar to the way described on page 4, using a level to keep it square. Attach the bracket with a sheet-metal screw or through-bolt to the permanent mounting surface (the adhesive pad may be used as a gasket).
2. If necessary, remove the section of the bracket that the DashLaser® will be mounted to.
3. Remove the screw holding the DashLaser's magnet in place. Align the holes in the bracket, magnet, and dash light bottom plate, and replace with the supplied #8 x 7/8" screw, as shown.
4. Reassemble the bracket, level the light, and tighten the acorn nuts. You're ready to go.

Note: DO NOT externally mount the DashLaser upside down on the vehicle, to avoid excessive water leakage.

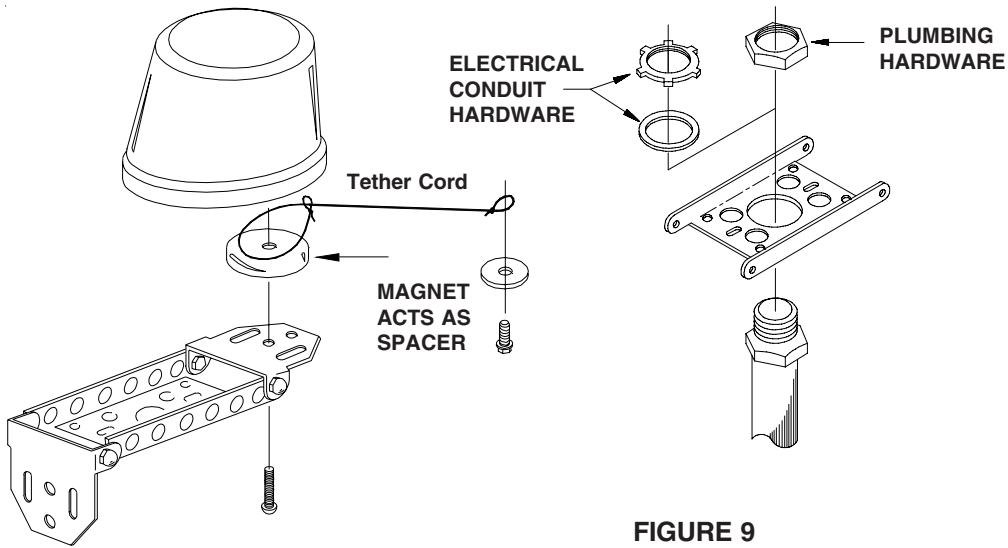


FIGURE 9

### Pole or Stanchion Mounting

The mounting kit can be used to mount the DashLaser® to a 1/2" or 3/4" pipe by using standard electrical (1/2") or plumbing hardware (see illustrations).

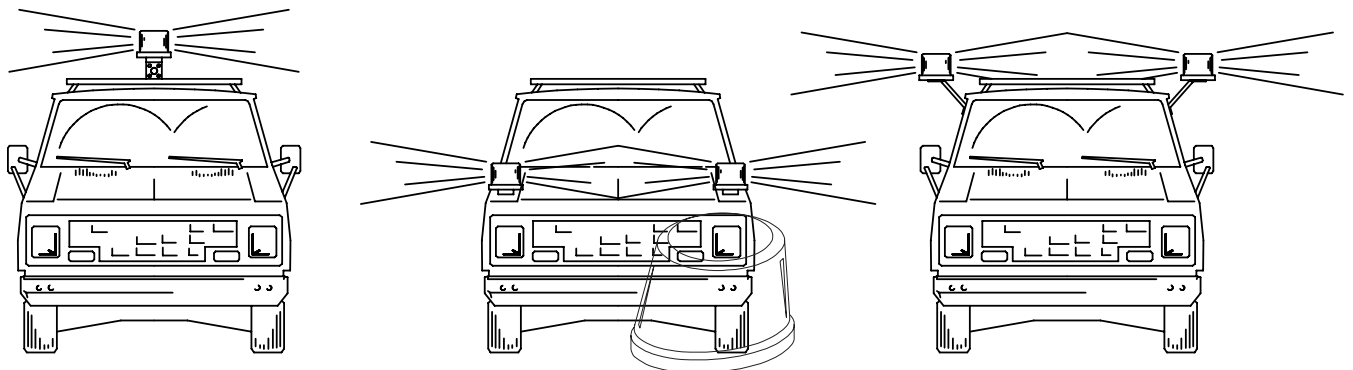


FIGURE 10

### Direct Wiring

If you wire the DashLaser directly to a power source instead of using the cigarette plug, be sure the wire from the DashLaser is positive, and connects to the +12 volt power supply. The smooth wire is the ground (earth) wire. It is advisable to put a 10 amp in-line fuse on the ribbed wire between the DashLaser and the power source.

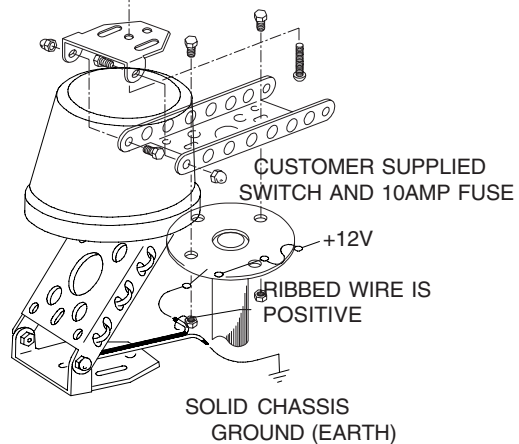
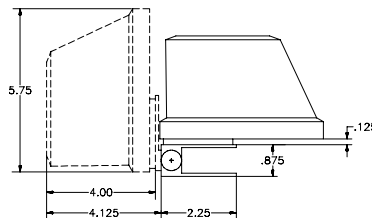


FIGURE 11

Permanently mounted units can be tipped to remove lens. Clearances are shown here.



# Maintenance

**CAUTION: Allow the unit to cool for 10 minutes before attempting any maintenance.**

The DashLaser® requires very little routine maintenance. Occasional cleaning of the dome and reflector is all that is necessary to maintain maximum light output. Use plain water and a soft cloth, or Code 3® polish and very soft paper towel or facial tissue. Since plastic scratches easily, we recommend cleaning only when necessary.



Never activate the light with the dome removed!

Halogen lamps are pressurized, and get very hot when operating. The H1 halogen lamp is sensitive to natural oils in your skin. Be sure not to touch the lamp when cleaning the reflector. If it is touched accidentally, gently wipe off any fingerprints with alcohol and a soft cloth before replacing the dome and activating the light.

**Do not oil the gears or bearings for any reason.** Gears and bearings in the DashLaser are permanently lubricated. Oiling them will actually shorten the service life of the unit. They may periodically be wiped or blown clean, but this is not usually necessary.

## Changing the Lamp



Lamps are extremely hot! Allow to cool completely before attempting to remove. Gloves and eye protection should be worn when handling halogen lamps as they are pressurized and accidental breakage can result in flying glass.

1. Allow 10 minutes for unit to cool. Remove the 3 screws on the underside of base plate. Holding the lens and the base together, turn the unit right side up and lift off the lens.
2. Remove the retaining clip (reference #5 on page 8).
3. Lift lamp and reflector assembly until the lamp comes free from its connector.
4. Use ONLY 55-watt H1 type halogen lamps (Phillips #12258, Osram #64150 or equivalent). Higher wattage lamps will cause damage to the DashLaser unit and void the warranty.
5. Do not touch the new lamp with your bare fingers. This will damage the lamp and shorten its life. If touched accidentally, it should be gently wiped off with alcohol and a soft cloth.

## Options & Specifications

- 5-Flash™ - Snap-on 4-step mirror increases directional flash rate to 400 flashes per minute. (Order PN 5FL)
- Multi-Colored Film - Red or Blue available as a kit. Attaches to existing molded 5-Flash and produces a red/blue signal. (Order PN R-BKIT)
- Multi-Color - DashLaser-M™ produces attention getting 2-color warning signals in red and white, red and amber, or blue and white at 400 flashes per minute. (Order Model No. 660FAR for red and amber, 660FCB for blue and white, and 600FCR for red and white)
- Outlet Panel - Bracket with 1 or 2 sockets and switches lets you leave your DashLaser plugged in and ready for action. (Order PN 661 for 1 socket, 662 for 2 sockets)
- Lenses - Impact resistant polycarbonate, in red, blue, amber, green or clear. (See Parts List for PN's)
- Extra Mounting Bracket - Allows you to set up several vehicles for using your DashLaser. (Order DSHMT)
- Lens Polish Kit - Removes minor scratches and restores visibility to your lens. (Order PN 102)

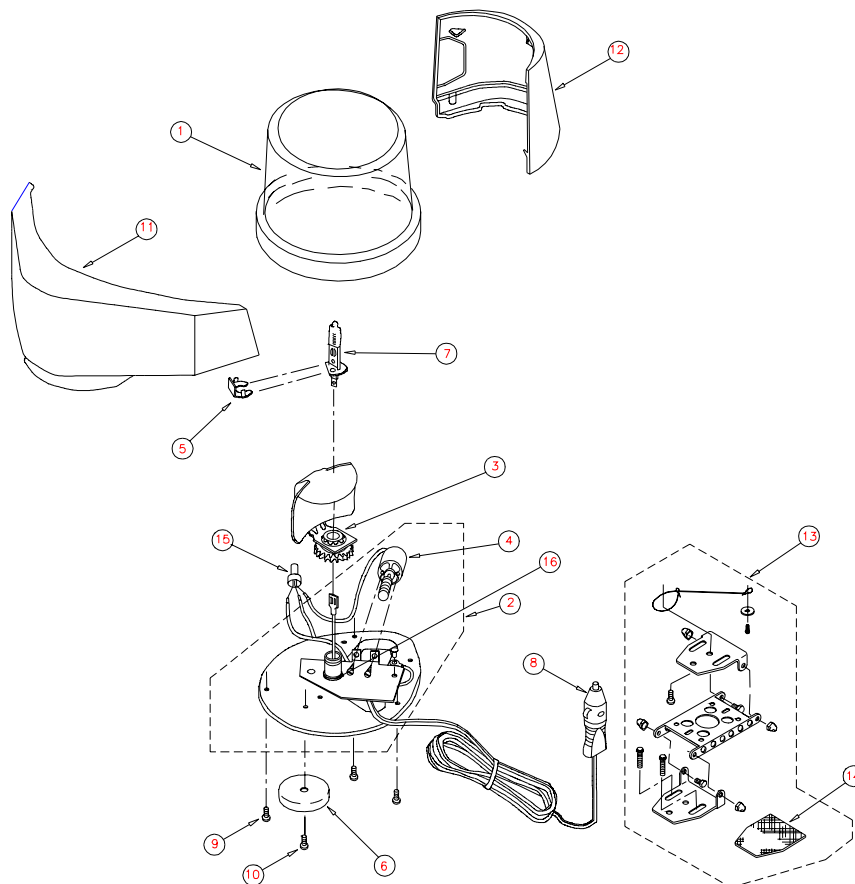
# DashLaser® Parts List (see illustration)

<u>Ref No.</u>	<u>Description</u>	<u>Part No.</u>	<u>Qty.</u>
1	Lens - Amber	T01554	1
	- Red	T01555	
	- Blue	T01556	
	- Clear	T01553	
	- Green	T01557	
2	PSE DashLight Assembly	S18107	1
3	Reflector Assembly	S96824	1
4	Motor Plate Assembly	S96821	1
5	Retaining Washer	T00928	1
6	Magnet	T01587	1
7	55 Watt Bulb, H-1	T01543	1
8	Cigarette Lighter Plug Cord Set - Straight Cord	T01590	1
	- Coil Cord	T02517	
9	Sheet Metal Screws - #6 x 3/8"	T01591	3
10	Sheet Metal Screw - #8 x 3/8"	T00243	1
11	Molded 5-Flash - Optional	5FL	1
12	Molded Blinder or Color Filter - Black	T01658	1
	- Red	T01691	
	- Blue	T01692	
13	DashLight Mounting Kit	DASHMT	1
14	Dashmount Adhesive Pad	T01665	1
15	Crimp Terminal	T03313	1
16	Nylon Washer	T04493	1

## Parts Not Shown

Red/Blue Film for 5-Flash Mirrors  
Fast Motor Plate Assy.

R-BKIT 1  
S96839







# WARNINGS FOR LIGHTING PRODUCTS

## **IMPORTANT:**

### **INTRODUCTION**

The use of this or any warning device does not insure that all drivers can or will observe or react to an emergency warning signal. Never take the right-of-way for granted. It is your responsibility to be sure you can proceed safely before entering an intersection, driving against traffic, responding at a high rate of speed, or walking on or around traffic lanes.

The effectiveness of this warning device is highly dependent upon correct mounting and wiring. Read and follow the manufacturer's instructions before installing or using this device. The vehicle operator should insure daily that all features of the device operate correctly. In use, the vehicle operator should insure the projection of the warning signal is not blocked by vehicle components (i.e.: open trunks or compartment doors), people, vehicles, or other obstructions.

This equipment is intended for use by authorized personnel only. It is the user's responsibility to understand and obey all laws regarding emergency warning devices. The user should check all applicable city, state and federal laws and regulations.

*Public Safety Equipment, Inc.*, assumes no liability for any loss resulting from the use of this warning device. Proper installation is vital to the performance of this warning device and the safe operation of the emergency vehicle. It is important to recognize that the operator of the emergency vehicle is under psychological and physiological stress caused by the emergency situation. Warning devices should be installed in such a manner as to: A) Not reduce the output performance of the system, B) Place the controls within convenient reach of the operator so that he can operate the system without losing eye contact with the roadway.

Strobe power supply and flash tubes utilize high electrical voltages and/or currents. Properly protect and use caution around live electrical connections. Grounding or shorting of electrical connections can cause high current arcing, which can cause personal injury and/or severe vehicle damage, including fire. Incandescent lamps are extremely hot, allow to cool completely before attempting to remove.

Any electronic device may create or be affected by electromagnetic interference. After installation of any electronic device operate all equipment simultaneously to insure that operation is free of interference. Never power emergency warning equipment from the same circuit or share the same grounding circuit with radio communication equipment.

**PROPER INSTALLATION COMBINED WITH OPERATOR TRAINING IN THE PROPER USE OF EMERGENCY WARNING DEVICES IS ESSENTIAL TO INSURE THE SAFETY OF EMERGENCY PERSONNEL AND THE PUBLIC.**

### **INSTALLATION AND MOUNTING**

#### **GENERAL**

All devices should be mounted in accordance with the manufacturer's instructions and securely fastened to vehicle elements of sufficient strength to withstand the forces applied to the device. Driver and/or passenger air bags (SRS) **will** affect the way equipment should be mounted. This device should be mounted by permanent installation and within the zones specified by the vehicle manufacturer, if any. Any device mounted in the deployment area of an air bag will damage or reduce the effectiveness of the air bag and may damage or dislodge the device. Installer must be sure that this device, its mounting hardware and electrical supply wiring does not interfere with the air bag or the SRS wiring or sensors. Front or rear grille/bumper placement must avoid interference with SRS sensors. Mounting the unit inside the vehicle by a method other than permanent installation is not recommended as unit may become dislodged during swerving, sudden braking or collision. Failure to follow instructions can result in personal injury.

#### **MAGNETIC MOUNTING**

1) Rust Stains: Magnetic mounting is not intended as permanent mounting for beacons. Long duration usage of any magnet will expose the high iron content of the steel, thereby causing rust. The device should be removed when not used to prevent rust stains. Metallic debris collected by the magnet will also contribute to rust stains. Insure that the magnet is kept clean.

2) Surface rust stains can usually be removed with chrome polish, available at most auto part stores.

3) As with any magnetically-mounted warning device, its use on the exterior of a moving vehicle is at the sole discretion and responsibility of the user.

Magnetic mount products provides a secure, temporary installation in most circumstances and is recommended for stationary use only. For maximum warning signal, mount the beacon on the highest possible flat, level surface of the vehicle.

## **HOOK-ON MOUNTING**

Using non-factory specified screws and/or mounting brackets and/or the improper number of screws may result in failure of mounting system and severe damage to vehicle as well as loss of warranty coverage on the equipment.

## **WIRING**

Larger wires and tight connections will provide longer service life for components. For high current wires it is highly recommended that terminal blocks or soldered connections be used with shrink tubing to protect the connections. Do not use insulation displacement connectors (e.g. 3M® Scotchlock type connectors). Route wiring using grommets and sealant when passing through compartment walls. High ambient temperatures (e.g. under-hood) will significantly reduce the current carrying capacity of wires, fuses, and circuit breakers. Use "SXL" type wire in engine compartment. Minimize the number of splices to reduce voltage drop. All wiring should conform to the minimum wire size and other recommendations of the manufacturer and be protected from moving parts and hot surfaces. Looms, grommets, cable ties, and similar installation hardware should be used to anchor and protect all wiring.

Particular attention should be paid to the location and method of making electrical connections and splices to protect these points from corrosion and loss of conductivity. Ground terminations should only be made to substantial chassis components, preferably directly to the vehicle battery.

The user should install a fuse sized to approximately 125% of the maximum amp capacity in the supply line and each switched circuit to protect against short circuits. For example, a 30 Amp fuse should carry a maximum of 24 Amps. **DO NOT USE 1/4" DIAMETER GLASS FUSES AS THEY ARE NOT SUITABLE FOR CONTINUOUS DUTY IN SIZES ABOVE 15 AMPS.** Circuit breakers are very sensitive to high temperatures and will "false trip" when mounted in hot environments or operated close to their capacity.

Fuses or circuit breakers should be located as close to the vehicle power takeoff points as possible and properly sized to protect the wiring devices.

## **MAINTENANCE**

Incandescent lamps are extremely hot! Allow to cool completely before attempting to remove. Gloves and eye protection should be worn when handling halogen lamps as they are pressurized and accidental breakage can result in flying glass. High voltages and or temperatures are present inside of strobe units. Disconnect from power and wait 10 minutes prior to servicing.

**FAILURE TO FOLLOW ABOVE WARNINGS OR INSTALLATION AND USER INSTRUCTIONS CAN RESULT IN LOSS OF WARRANTY COVERAGE.**

# Troubleshooting

PROBLEM	CAUSE	REMEDY
Light is not lit and the reflector is not turning	No power at lighter plug Damaged or defective cordset	Check ignition and fuse. Try another vehicle Repair or return to P.S.E.
Reflector is turning but the light is not lit	Lamp is burned out Missing or loose lamp clip Defective wiring to the motor	Replace lamp. Replace lamp clip Repair or return to P.S.E.
The light is lit but reflector is not turning	Rotating assembly is jammed Defective wiring to the motor Defective motor	Remove obstruction or return to P.S.E. Repair or return to P.S.E. Replace or return to P.S.E.
Light is not bright and reflector turns slow - less than 70 RPM	Low Voltage	Try in another vehicle. Repair or replace bad socket or wiring
Light is bright but reflector turns slow - less than 70 RPM	Bearing oiled by user Dirty or defective gears or bearings	Thoroughly clean and don't re-oil Clean or return to P.S.E.
Noisy operation	Gears not worn in	Let run for 1-2 hours, some noise is normal
Blows fuses	Defective cigarette lighter socket Replaced lamp with wrong type Damaged cord or wiring in Dash-Laser® Reversed polarity on a permanent installation.	Try in another vehicle Use only 55 watt H-1 lamps Repair or return to P.S.E.  See Permanent mounting section
Adhesive mounting will not stick to the surface	(see " Interior Mounting" section on page 4)	Use new adhesive pad
Dome screw will not snug up	Stripped or cracked screw boss	Replace screw with #6x1/2" sheet metal screw or replace dome
Magnet does not hold well	Debris Wax Uneven surfaces	Clean magnet Remove excess wax Use permanent mount

# WARRANTY

Code 3, Inc. emergency devices are tested and found to be operational at the time of manufacture. Provided they are installed and operated in accordance with manufacturer's recommendations, Code 3, Inc. guarantees all parts and components except the lamps to a period of 1 year (unless otherwise expressed) from the date of purchase or delivery, whichever is later. Units demonstrated to be defective within the warranty period will be repaired or replaced at the factory service center at no cost.

Use of lamp or other electrical load of a wattage higher than installed or recommended by the factory, or use of inappropriate or inadequate wiring or circuit protection causes this warranty to become void. Failure or destruction of the product resulting from abuse or unusual use and/or accidents is not covered by this warranty. Code 3, Inc. shall in no way be liable for other damages including consequential, indirect or special damages whether loss is due to negligence or breach of warranty.

**CODE 3, INC. MAKES NO OTHER EXPRESS OR IMPLIED WARRANTY INCLUDING, WITHOUT LIMITATION, WARRANTIES OF FITNESS OR MERCHANTABILITY, WITH RESPECT TO THIS PRODUCT.**

# PRODUCT RETURNS

If a product must be returned for repair or replacement\*, please contact our factory to obtain a Return Goods Authorization Number (RGA number) before you ship the product to Code 3. Write the RGA number clearly on the package near the mailing label. Be sure you use sufficient packing materials to avoid damage to the product being returned while in transit.

\*Code 3, Inc. reserves the right to repair or replace at its discretion. Code 3, Inc. assumes no responsibility or liability for expenses incurred for the removal and /or reinstallation of products requiring service and/or repair.; nor for the packaging, handling, and shipping; nor for the handling of products return to sender after the service has been rendered.

**NEED HELP? CALL OUR TECHNICAL ASSISTANCE HOTLINE - (314) 996-2800**

Code 3,® Inc., a subsidiary of  
Public Safety Equipment, Inc.

**CODE 3**<sup>®</sup>  
PUBLIC SAFETY EQUIPMENT, INC.

Code 3, Inc.  
10986 N. Warson Road  
St. Louis, Missouri 63114-2029 - USA  
[www.code3pse.com](http://www.code3pse.com)