

INSTALLATION MANUAL



920-06 & 920-10 Headlight Flasher for Chevy Impala Police Package Vehicle

Code 3,® Inc., a subsidiary of
Public Safety Equipment, Inc.

CODE 3[®]
PUBLIC SAFETY EQUIPMENT, INC.

900 Series Plug In Flasher

IMPORTANT:

Read all instructions and warnings before installing and using.

INSTALLER:

*This manual must be delivered
to the end user of this equipment.*



WARNING!

Larger wires and tight connections will provide longer service life for components. For high current wires it is highly recommended that terminal blocks or soldered connections be used with shrink tubing to protect the connections. Do not use insulation displacement connectors (e.g. 3M®) Scotchlock type connectors. Route wiring using grommets and sealant when passing through compartment walls. Minimize the number of splices to reduce voltage drop. High ambient temperatures (e.g. underhood) will significantly reduce the current carrying capacity of wires, fuses, and circuit breakers. Use "SXL" type wire in engine compartment. All wiring should conform to the minimum wire size and other recommendations of the manufacturer and be protected from moving parts and hot surfaces. Looms, grommets, cable ties, and similiar installation hardware should be used to anchor and protect all wiring.

Fuses or circuit breakers should be located as close to the power takeoff points as possible and properly sized to protect the wiring and devices. Particular attention should be paid to the location and method of making electrical connections and splices to protect these points from corrosion and loss of conductivity. Ground (Earth) termination should only be made to substantial chassis components, preferably directly to the vehicle battery. The user should install a circuit breaker sized to approximately 125% of the anticipated maximum current requirements to protect against short circuits. For example, a 30 Amp circuit breaker should carry a maximum of 24 amps.

DO NOT USE 1/4" DIAMETER GLASS FUSES AS THEY ARE NOT SUITABLE FOR CONTINUOUS DUTY IN SIZES ABOVE 15 AMPS.

Circuit breakers are very sensitive to high temperatures and will "false trip" when mounted in hot environments or operated close to their capacity.

IMPORTANT NOTES:

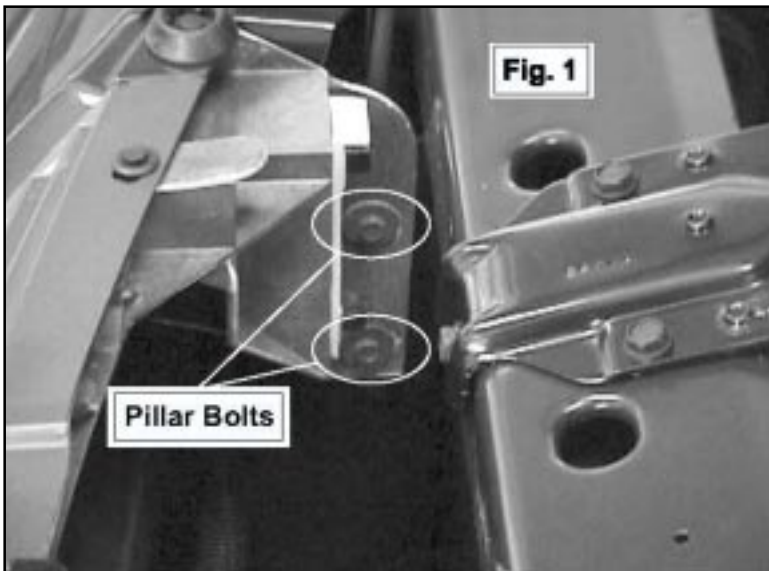
- The use of a flashing headlight system may be regulated by state, county, or municipal authorities. It is the responsibility of the end user to comply with these regulations.
- Before attempting the installation of the 920 headlight flasher, thoroughly read and understand instructions and steps shown below.
- Disconnect the battery from the electrical system before attempting any part of this installation.
- Have your “Impala Police Package Owner’s Manual Supplement” available for reference.

Installation:

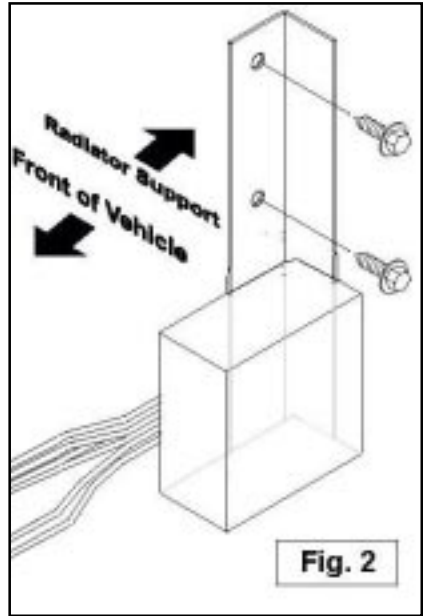
1. Locate and remove the three, plastic fasteners that secure the cowl panel covering the area between the top of the radiator support and the top of the grille. Remove this panel from the vehicle.

NOTE: Each fastener must be returned to its original location when re-installing this panel.

2. Locate and remove the two, passenger-side headlight pillar bolts (see fig. 1).



- Using the bolts removed in the previous step, secure the headlight flasher bracket to the pillar. Make sure that the flasher is oriented as shown in fig. 2.
- The necessary electrical connections will now be made. Follow the appropriate procedure for your vehicle.



Wiring:

Vehicles equipped with Chevrolet Option SEO 6J3

- Disconnect the headlamp harness' water-proof connection adjacent to the installed flasher.
- Plug the water-proof flasher plugs into the appropriate water-proof harness connection referenced in the previous step. Make sure that these plugs fully engage the harness receptacles.
- Locate the DARK GREEN/RED, 16-gauge control wire under the instrument panel (refer to your "Impala Police Package Owner's Manual Supplement" for specific information regarding the location of this wire).
- Connect this DARK GREEN/RED wire to a customer supplied switch.

Vehicles without Chevrolet Option SEO 6J3

- Disconnect the headlamp harness' water-proof connection adjacent to the installed flasher.
- The flasher's pin-housing connector includes a RED wire. Cut this wire at the connector.
- Plug the water-proof flasher connector into the appropriate water-proof harness connection referenced in the previous step. Make sure that these connectors fully engage the harness connectors.
- Using appropriately sized wire, extend this RED wire to a customer-supplied switch.

NOTES

NOTES

NOTES

WARRANTY

Code 3, Inc.'s L.E.D. emergency devices are tested and found to be operational at the time of manufacture. Provided they are installed and operated in accordance with manufacturer's recommendations, Code 3, Inc. guarantees all parts and components to a period of 5 years (unless otherwise expressed) from the date of purchase or delivery, whichever is later. Units demonstrated to be defective within the warranty period will be repaired or replaced at the factory service center at no cost.

Use of inappropriate or inadequate wiring or circuit protection causes this warranty to become void. Failure or destruction of the product resulting from abuse or unusual use and/or accidents is not covered by this warranty. Code 3, Inc. shall in no way be liable for other damages including consequential, indirect or special damages whether loss is due to negligence or breach of warranty.

CODE 3, INC. MAKES NO OTHER EXPRESS OR IMPLIED WARRANTY INCLUDING, WITHOUT LIMITATION, WARRANTIES OF FITNESS OR MERCHANTABILITY, WITH RESPECT TO THIS PRODUCT.

PRODUCT RETURNS

If a product must be returned for repair or replacement*, please contact our factory to obtain a Return Goods Authorization Number (RGA number) before you ship the product to Code 3, Inc. Write the RGA number clearly on the package near the mailing label. Be sure you use sufficient packing materials to avoid damage to the product being returned while in transit.

*Code 3, Inc. reserves the right to repair or replace at its discretion. Code 3, Inc. assumes no responsibility or liability for expenses incurred for the removal and /or reinstallation of products requiring service and/or repair.; nor for the packaging, handling, and shipping; nor for the handling of products return to sender after the service has been rendered.

PROBLEMS OR QUESTIONS? CALL OUR TECHNICAL ASSISTANCE HOTLINE (314) 996-2800

WWW.CODE3PSE.COM

Code 3, Inc., a subsidiary of
Public Safety Equipment, Inc.

CODE 3[®]
PUBLIC SAFETY EQUIPMENT, INC.

Code 3[®], Inc.
10986 N. Watson Road
St. Louis, Missouri 63114-2029—USA
Ph. (314) 426-2700 Fax (314) 426-1337

Part No. T16206 Rev. 1 6/2010

©2010 Code 3, Inc

Code 3[®] is a registered trademark of Code 3, Inc., a subsidiary of Public Safety Equipment, Inc.