

INSTALLATION & OPERATION MANUAL



PSE440™
REMOTE STROBE
POWER SUPPLY

Code 3, Inc., a subsidiary of
Public Safety Equipment, Inc.

CODE 3[®]
PUBLIC SAFETY EQUIPMENT, INC.

PSE440

REMOTE STROBE POWER SUPPLY

Contents:

Introduction	2
Standard Features	2
Specifications	2
Unpackaging & Pre-installation	3
Installation & Mounting	4
Wiring Instructions	4-10
Flash Control Options	7
Switching Control Variations	7-9
Maintenance	11
Troubleshooting	11
Warranty	12

IMPORTANT:

Read all instructions and warnings before installing and using.

INSTALLER:

This manual must be delivered to the end user of this equipment.

Introduction

The PSE440 Series Remote Power Supply represents the latest in state-of-the-art strobe warning technology. The latest in MOSFET technology and advanced design provide efficient operation, meaning superior performance, reliability and long life. The use of intelligent microprocessor control allows the model PSE440 to offer more light pattern options and versatility than any other remote system available. The user may select the standard Quad Flash pattern or any of the auxiliary patterns. In addition, the user can utilize all flash options with **Cycle Flash™** a feature that allows cycling continuously through all patterns. When connected to remote strobe heads, the PSE440 delivers an outstanding level of vehicle warning signals.

Standard Features

All MODEL PSE440 Remote Strobe Power Supplies come equipped with the following standard features: (See Figure 2, page 5)

MULTIPLE OPERATING VOLTAGES

10-30 VDC operation only. Reverse polarity protected

EXTERNAL FUSE PROTECTION

User replaceable 15 AMP fuse for +12 VDC operation.

NOTE: For +24 VDC operation, the user should replace this with a 7.5 AMP fuse.

OUTPUT SHORT CIRCUIT/FLASHTUBE FAILURE PROTECTION

Power supply will shut-off when trying to flash any heads that have been shorted.

MULTIPLE USER SELECTABLE FLASH PATTERNS

User may select either Quad Flash, Double Flash, or **Cycle Flash™** patterns. See Flash Control Options Section, page 7.

SELECTABLE SWITCHING CONTROL OF OUTLET PAIRS

Allows user, when in the standard Quad Flash mode, to select either alternating outlet pairs 1 and 4 only, or 2 and 3 only.

NOTE: Additional auxiliary flash modes utilize all outlets, 2 outlets alternate with 2 outlets. There is no selectable switching available.

HI/LO POWER CONTROL

Allows reduction of strobe light intensity using either +VDC or (earth) ground switching for night time use.

LOW CURRENT SWITCHING, SEE PAGE 10

Specifications

OPERATING VOLTAGE: 10-30 VDC

OUTPUT POWER: 40 WATTS NOMINAL

OUTPUT ENERGY: 40 JOULES NOMINAL

STANDARD FLASH RATE: EACH STROBE LIGHT OUTLET 60 QUAD FLASHES/MIN.
ALTERNATING PAIRS 120 QUAD FLASHES/MIN.

POWER CONSUMPTION: 4 AMPS AVERAGE AT 12.8 VDC (HIGH POWER)
2.8 AMPS AVERAGE AT 25.6 VDC (HIGH POWER)



The use of this or any warning device does not insure that all drivers can or will observe or react to an emergency warning signal. Never take the right-of-way for granted. It is your responsibility to be sure you can proceed safely before entering an intersection, driving against traffic, responding at a high rate of speed, or walking on or around traffic lanes. The effectiveness of this warning device is highly dependent upon correct mounting and wiring. Read and follow the manufacturer's instructions before installing or using this device. The vehicle operator should insure daily that all features of the device operate correctly. In use, the vehicle operator should insure the projection of the warning signal is not blocked by vehicle components (i.e.: open trunks or compartment doors), people, vehicles, or other obstructions.

This equipment is intended for use by authorized personnel only. It is the user's responsibility to understand and obey all laws regarding emergency warning devices. The user should check all applicable city, state and federal laws and regulations.

Public Safety Equipment, Inc., assumes no liability for any loss resulting from the use of this warning device.

Proper installation is vital to the performance of this warning device and the safe operation of the emergency vehicle. It is important to recognize that the operator of the emergency vehicle is under psychological and physiological stress caused by the emergency situation. The warning device should be installed in such a manner as to: A) Not reduce the output performance of the system, B) Place the controls within convenient reach of the operator so that he can operate the system without losing eye contact with the roadway.

Emergency warning devices often require high electrical voltages and/or currents. Properly protect and use caution around live electrical connections. Grounding or shorting of electrical connections can cause high current arcing, which can cause personal injury and/or severe vehicle damage, including fire. Do not touch the strobe light tubes, the strobe light head assemblies or the strobe power supply while the system is in operation. Wait 5 minutes after turning off the power from system before touching any internal componentry. **PROPER INSTALLATION COMBINED WITH OPERATOR TRAINING IN THE PROPER USE OF EMERGENCY WARNING DEVICES IS ESSENTIAL TO INSURE THE SAFETY OF EMERGENCY PERSONNEL AND THE PUBLIC.**

Unpacking and Pre-Installation

Remove the power supply from the box and examine the unit for any transit damage. Report any damage to the carrier immediately. Inspect the supplied user parts kit, this should contain:


- A. 1 POWER INPUT WIRE HARNESS ASSEMBLY** consisting of one AMP 3 pin connector with three wires, Red wire positive (+Vdc), Black wire negative (Ground / Earth) and Green wire (Hi/Lo intensity). This assembly is to be connected to customer supplied power cable (See Installation and Mounting section).
- B. 1 CONTROL WIRE HARNESS ASSEMBLY** consisting of one AMP 4 pin connector with four wires White, Orange, Yellow and Brown. This assembly is to be connected to customer supplied control switching (See Installation and Mounting section).
- C. 1 ASSEMBLY KIT** containing:
 - 4 AMP 3 pin socket housings to be connected to the remote strobe light head assembly cables (See Installation and Mounting section).
 - 4 #8 sheet metal screws for mounting.

Installation and Mounting

MOUNTING THE MODEL PSE440 STROBE LIGHT POWER SUPPLY

To obtain maximum performance and durability the Model PSE440 strobe light power supply should be mounted as follows:

1. Mount the unit with the strobe light outlets located in such a way that they are easily accessible.
2. Mount the unit with the four supplied #8 sheet metal screws. If possible, a metal surface should be chosen for best heat dissipation. The mounting hole pattern dimensions are shown in Figure 1. The power supply can be used as a template to mark the drill locations. Pre-drill this surface with a 9/64 drill and secure the unit.

 High voltages and/or temperatures are present inside the unit. Disconnect from power and wait 5 minutes prior to servicing or troubleshooting. Use hand and eye protection when changing flashtubes.

WARNING!

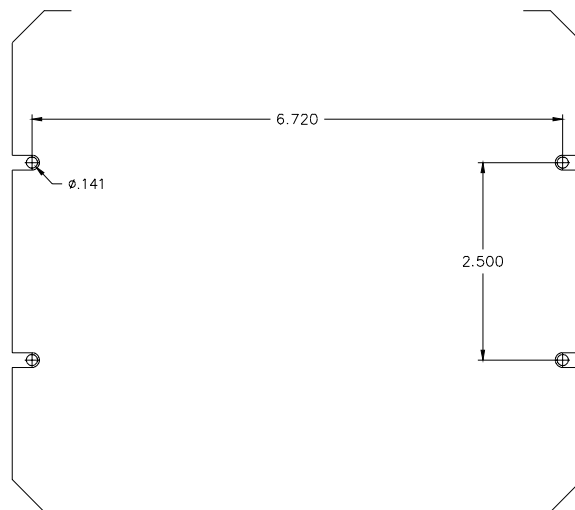



FIGURE 1

 The Model PSE440 Strobe Power Supply is NOT waterproof and should be located in an area protected from the weather and water.

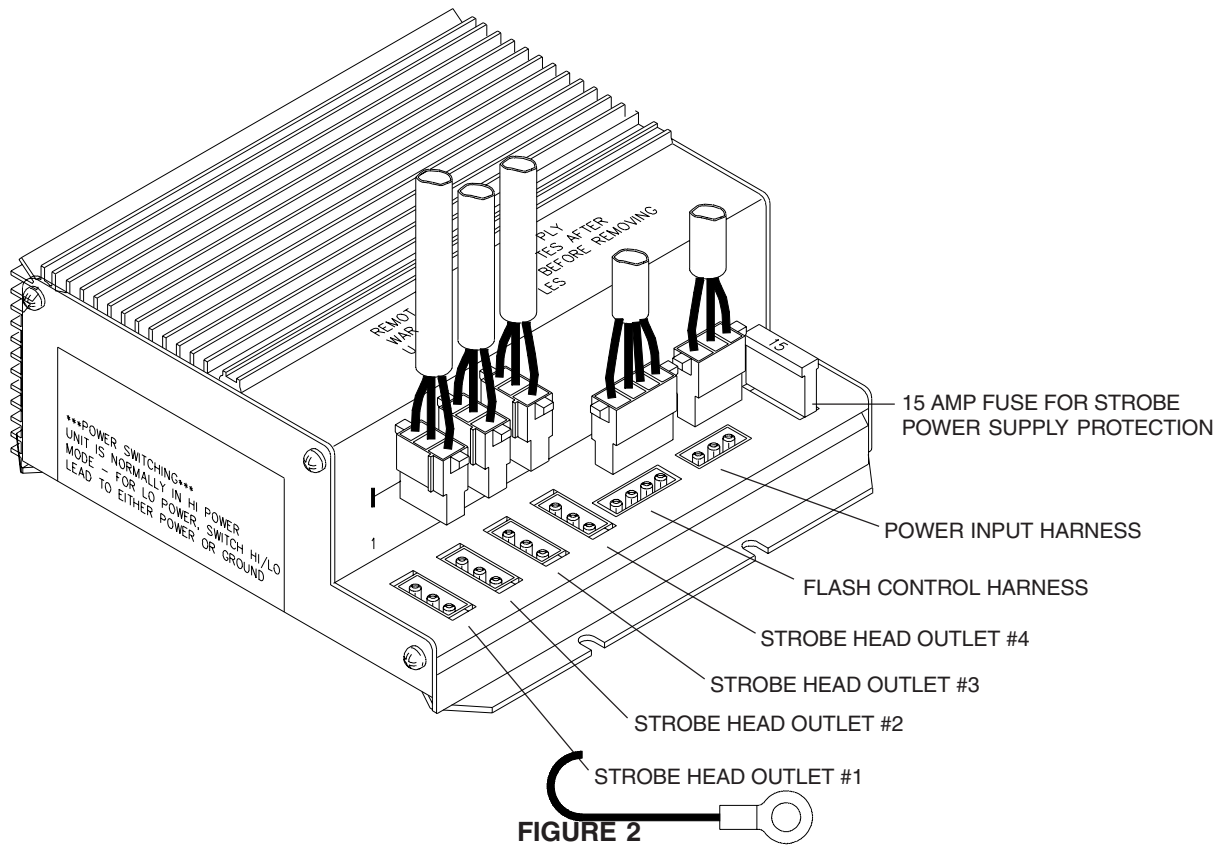
WARNING!

WIRING

STROBE LIGHT HEAD CABLE CONNECTIONS

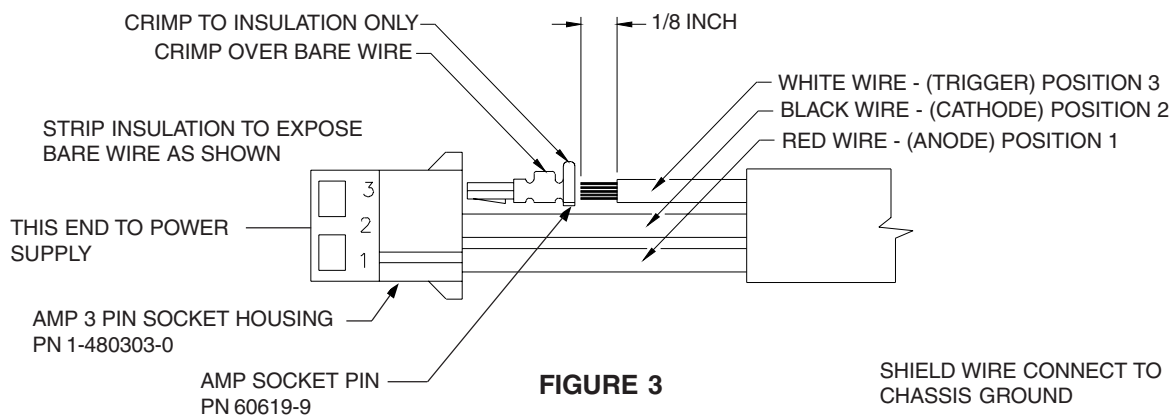
1. Install the remote strobe light heads in the preferred locations and route the three wire cable from the remote strobe heads to the PSE440 power supply. Leave enough cable at the power supply so that the cables are not strained when connected to the power supply. Follow the installation instructions for the remote strobe light heads to determine how the cable connects to the strobe heads.

2. After the cables have been properly routed for each strobe head they will have to be terminated with the three pin AMP socket housings provided. The cables are factory terminated with the proper AMP pins for insertion into the housings, see Figure 3. If there is a need to re-terminate any wires, Figure 3 also includes stripping and crimping information.



WARNING! It is very important to observe the pin locations and color on the AMP three pin socket housings. Improper connections could damage the remote strobe heads, see Figure 3.

NOTE: USE AMP HAND TOOL PART NO. 90124-2 OR EQUIVALENT TO CRIMP SOCKET PINS TO THE WIRES.



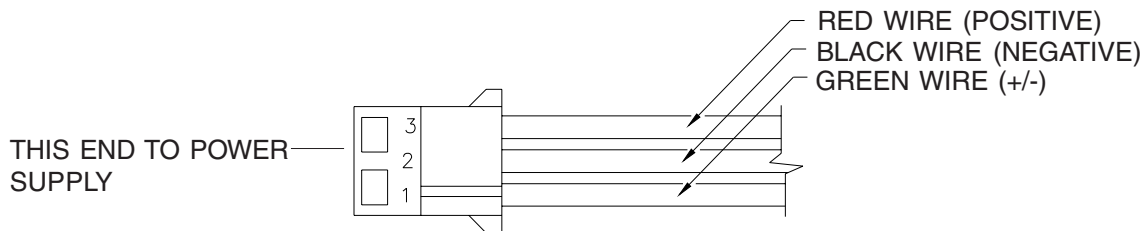
3. With the AMP 3 pin connectors terminated properly , plug each cable into the appropriate 3 position socket on the PSE440 strobe power supply. The outlet chosen for each cable will be determined by the Flash pattern selected. See Flash Control Switching Options Section for further details on flash selection.

POWER-INPUT WIRE HARNESS ASSEMBLY

The Power-input wire harness is to be connected to the 3 position socket connector on the PSE440 strobe power supply. See Figure 3, page 5.

The Power harness assembly consists of red (+Vdc) and black (Ground/Earth) wires that power the PSE440 strobe power supply and a green wire for Hi/Lo intensity control. Figure 4

The Hi/Lo intensity feature allows the strobe lights of the system to be switched into low power for night use by connecting the green wire either to + Vdc or Ground (Earth). If this feature is not used **it is important to remove this wire.**



Power-Input Harness Assembly
PSE PN 3557

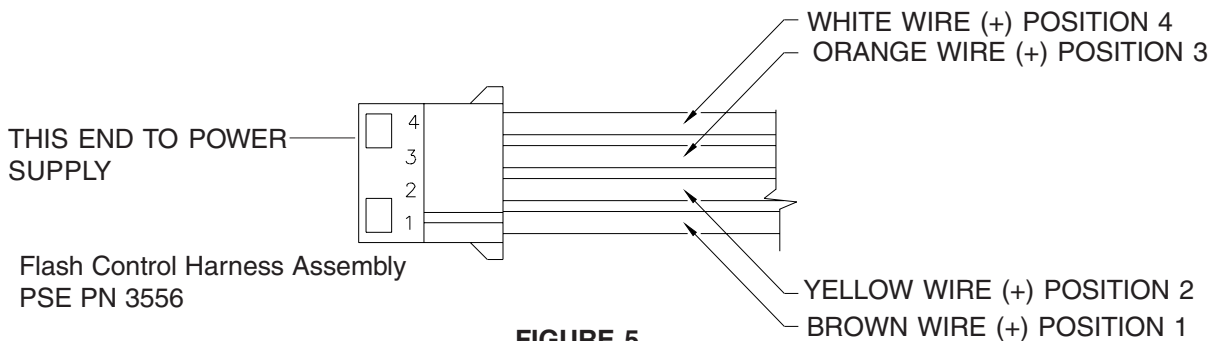
FIGURE 4

FLASH CONTROL HARNESS ASSEMBLY

The Flash Control wire harness is to be connected to the 4 position socket connector on the PSE440 strobe power supply. (See Figure 3 on page 5). The Flash Control harness consists of an AMP 4 pin connector with 4 wires : white, orange , yellow and brown. (See Figure 5). These are activated by connecting to a source of +12/24Vdc , and are low current inputs.

This control harness is to be connected to a customer supplied control cable , which in turn is to be connected to a customer supplied switch to complete the installation.

Refer to the Flash control options and Switching Control variations sections for details on Flash Control connections.



Flash Control Harness Assembly
PSE PN 3556

FIGURE 5

Flash Control Switching Options

To select any one of eight different FLASH MODES , simply connect the White, Orange, Yellow and Brown wires to a switch , or switches , in the combinations indicated in Table 1. **NOTE: THE BROWN WIRE WILL PUT THE PSE440 IN *Cycle Flash*™ MODE WHEN CONNECTED TO (+ Vdc). THIS WILL OVERRIDE ANY OTHER FLASH MODE SELECTED.**

In the following table a “1” = 12/24 Vdc and a “0 “ = Ground (Earth) or no connection.

<u>BROWN</u>	<u>YELLOW</u>	<u>ORANGE</u>	<u>WHITE</u>	<u>FLASH MODE</u>
0	0	0	0	ALL HEADS OFF
0	0	0	1	QUAD FLASH HEADS 1 AND 4
0	0	1	0	QUAD FLASH HEADS 2 AND 3
0	0	1	1	QUAD FLASH ALL HEADS
0	1	0	1	STANDARD DOUBLE FLASH ALL HEADS
1	X	X	X	IN <i>Cycle Flash</i> ™ ALL HEADS

TABLE 1 - FLASH MODE SELECTION

Switching Control Variations

The Model PSE440 strobe outlet flashing sequence variations are controlled by four factors:

1. Selecting one or more of the Flash Modes available, see Table 1.
2. Determining the user supplied switching necessary to control these modes.
3. Choosing to connect the remote strobe light head assemblies to the alternating or simultaneous strobe light flashing functions on the power supply outlets. See Figure 6, page 8.
4. Number of remote strobe light head assemblies used in the system.

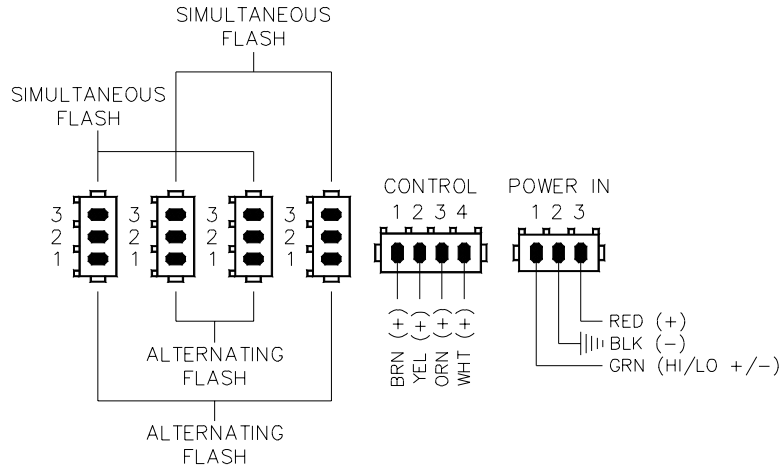
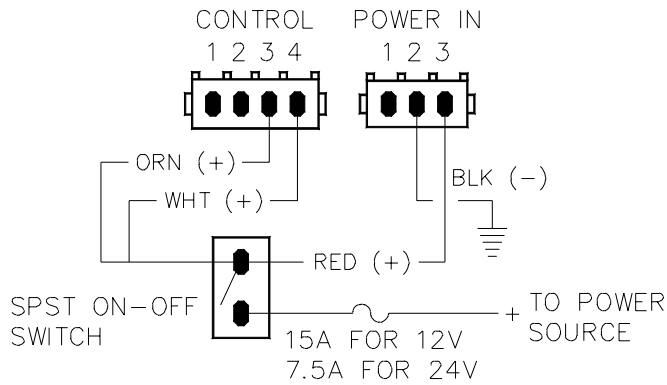


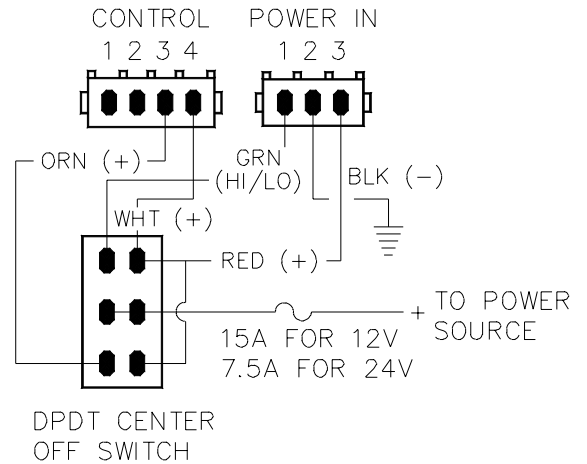
FIGURE 6 - Switching Controls and Strobe Light Outlet Functions

The following diagrams show some of the wiring configurations possible for various flash modes. All fuses shown are to be customer supplied, and recommended fuse ratings to be observed. All switches are to be customer supplied. Additional variations can be used. Refer to Table 1, Page 7 and Figure 6 to determine the necessary connections.

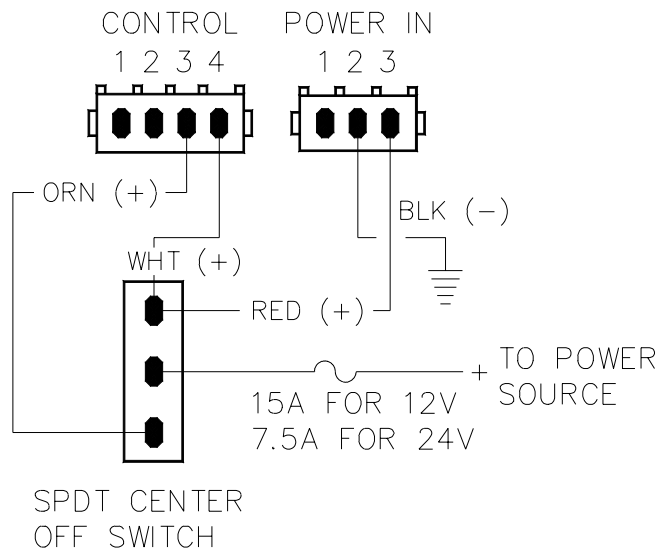
VARIATIONS IN STANDARD QUAD FLASH MODE



**4 OUTLET ON-OFF SWITCHING
HIGH POWER**



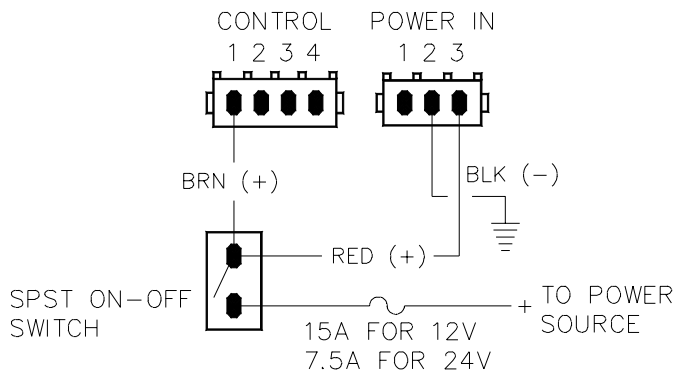
**4 OUTLET HIGH POWER-OFF-
LOW POWER**



**SELECTIVE SWITCHING OF OUTLETS 1 AND 4 (only)
OR
OUTLETS 2 AND 3 (only) IN HIGH POWER**

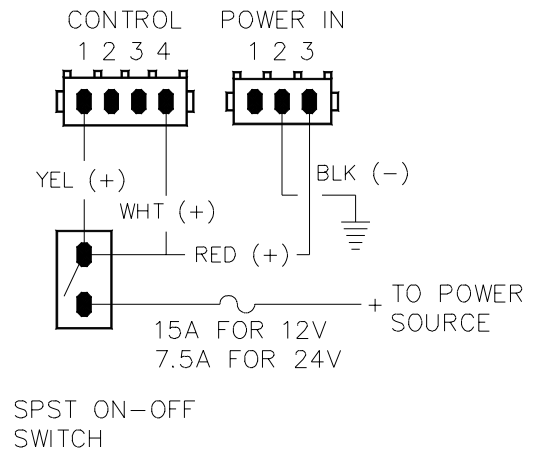
The following switching variations show selection of various optional patterns:

CYCLE FLASH MODE



**4 OUTLET ON-OFF SWITCHING
HIGH POWER**

STANDARD DOUBLE FLASH MODE

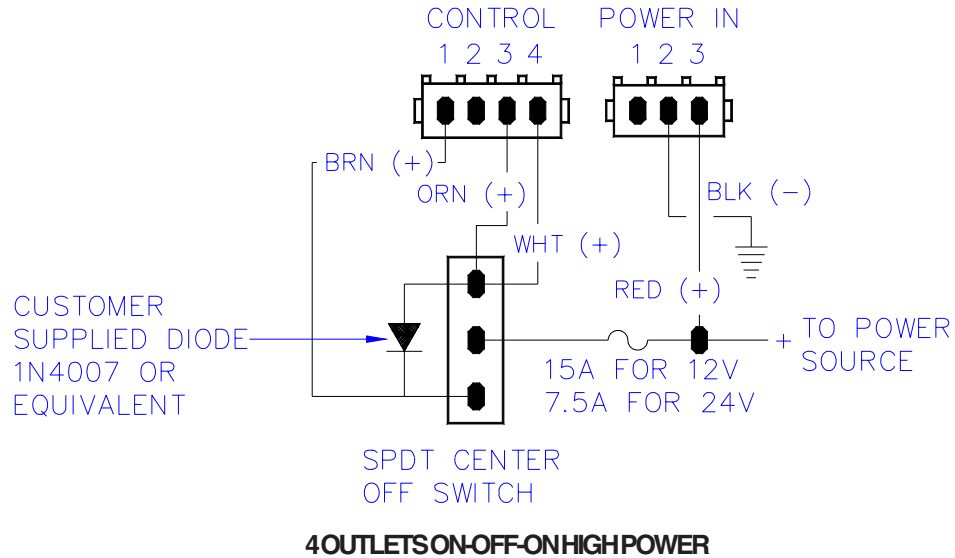


**4 OUTLET ON-OFF SWITCHING
HIGH POWER**

MULTIPLE FLASH MODES

By selecting the proper switching, any number of flash modes can be used.

Example: Quad Flash with *Cycle Flash™*



LOW CURRENT SWITCHING CONTROL

The PSE440 Power Supply utilizes low current switching. This means, if desired, the power in (RED) connection can be connected directly to the source (+), and the control connections can be used to switch the strobe supply on or off using a low current source (+). See Figure 7.

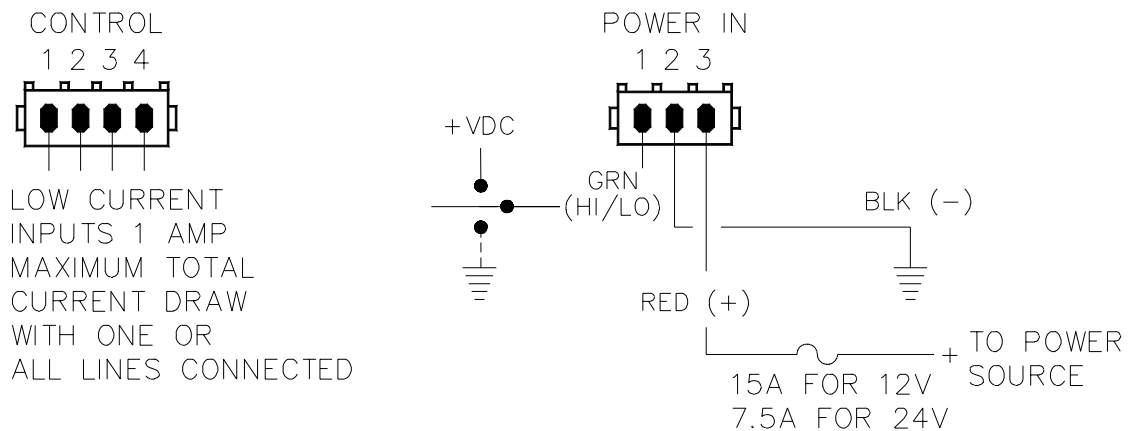


FIGURE 7

Maintenance

The PSE440 Remote Strobe Power Supply has been designed to provide trouble free service. In case of difficulty , refer to the Troubleshooting section. Periodic inspection of power supply wiring, and strobe light head connections for shorted or open wires will assure trouble free operation. The primary cause of short circuits has been found to be wires passing through firewalls, roofs, etc.

Troubleshooting

NOTE: DO NOT TAMPER WITH THE POWER SUPPLY. THIS UNIT IS SOLD AS A COMPLETE MODULE, AND IS NOT DESIGNED FOR FIELD REPAIR.

All PSE440 Remote Strobe Power Supply units are thoroughly tested before shipment. However, should you encounter a problem during installation or during the life of the product , refer to the guide below for information on troubleshooting. In most cases problems that occur will be related either to the power / control wiring, or to the strobe light head cables that connect them to the strobe power supply. In the event that the strobe power supply is at fault return the unit to the factory for service. Additional information may be obtained from the factory technical help line at 314-426-2700 ext. 2132.

TROUBLESHOOTING GUIDE

PROBLEM	CAUSE	SOLUTION
External fuse blows	<ul style="list-style-type: none"> a. Power input wires reversed. b. Power supply failure. c. Incorrect fuse size. 	<ul style="list-style-type: none"> a. Check power connections. b. Return for service. c. Replace with a 15A for +12VDC or 7.5A for +24VDC.
Light heads do not fire	<ul style="list-style-type: none"> a. Cable connections loose at power supply or light head. b. Cable to light heads damaged and shorting to chassis. c. Cable terminated improperly in 3 pin AMP connector. d. Bad strobe tube/head. 	<ul style="list-style-type: none"> a. Check all connections. b. Isolate damaged cable by disconnecting one at a time. Repair or replace the damaged cable. c. Check wire orientations at 3 pin connectors. d. Replace strobe tube assembly/head.
Incorrect flash pattern	<ul style="list-style-type: none"> a. Control harness wiring and or switches not connected properly. b. Light heads plugged into wrong outlet on the power supply. 	<ul style="list-style-type: none"> a. Check wiring/switches. Refer to Table 1 to verify selections. b. Follow designations on label for outlets and move to proper outlet.
Low strobe light intensity	<ul style="list-style-type: none"> a. Power supply in low power mode. 	<ul style="list-style-type: none"> a. Check green wire on power harness. It should not be connected to power or ground for HI power mode.
Flash patterns change continuously	<ul style="list-style-type: none"> a. Power supply is in CYCLE FLASH mode. Proper operation. 	<ul style="list-style-type: none"> a. Brown wire is connected to +VDC. Check control harness/switches. If CYCLE MODE is not desired change connections.

WARRANTY

This product was tested and found to be operational at the time of manufacture. Provided this product is installed and operated in accordance with the manufacturer's recommendations, Code 3, Inc. guarantees all parts and components except the lamps for a period of 2 years from the date of purchase or delivery, whichever is later. Units demonstrated to be defective within the warranty period will be repaired or replaced at the factory service center at no cost.

Use of a lamp or other electrical load of a wattage higher than installed or recommended by the factory, or use of inappropriate or inadequate wiring or circuit protection causes this warranty to become void. Failure or destruction of the product resulting from abuse or unusual use and/or accidents is not covered by this warranty.

Code 3 shall in no way be liable for other damages including consequential, indirect or special damages whether loss is due to negligence or breach of warranty.

CODE 3 MAKES NO OTHER EXPRESS OR IMPLIED WARRANTY INCLUDING, WITHOUT LIMITATION, WARRANTIES OF FITNESS OR MERCHANTABILITY, WITH RESPECT TO THIS PRODUCT.

PRODUCT RETURNS

In order to provide you with faster service, if you are going to return a product for repair or replacement*, please contact our factory to obtain a Return Goods Authorization Number (RGA number) before you ship the product to Code 3. Write the RGA number clearly on the package near the mailing label. Be sure you use sufficient packing materials to avoid damage to the product being returned while in transit.

*Code 3 reserves the right to repair or replace product at its discretion and assumes no responsibility or liability for expenses incurred for the removal and/or reinstallation of products requiring service and/or repair.

Problems or Questions? Call our Technical Assistance HOTLINE - (314) 996-2800

Code 3, Inc., a subsidiary of
Public Safety Equipment, Inc.

CODE 3[®]
PUBLIC SAFETY EQUIPMENT, INC.

Code 3, Inc.
10986 N. Warson Road
St. Louis, Missouri 63114-2029—USA
www.code3pse.com