

4" ROUND, 6" OVAL STOP-TURN-TAIL AND BACK-UP 12VDC OR 12-24VDC LED LIGHT MODULES INSTRUCTION SHEET

SAFETY MESSAGE TO INSTALLERS

People's lives depend on your safe installation of our products. It is important to read, understand and follow all instructions shipped with our products. In addition, listed below are some other important safety instructions and precautions you should follow:

- To properly install this warning light: you must have a good understanding of automotive electrical procedures and systems, along with proficiency in the installation and use of safety warning equipment.
- When drilling into a vehicle structure, be sure that both sides of the surface are clear of anything that could be damaged.
- DO NOT install equipment or route wiring or cord in the deployment path of an air bag.
- You should frequently inspect the light to ensure that it is operating properly and securely attached.
- This product contains high intensity LED devices. To prevent eye damage, DO NOT stare into the light beam at close range.
- Locate light control so the vehicle and light can be safely operated in all driving conditions.
- Do not attempt to activate the light while driving in a hazardous situation.
- Place all warning labels provided, in a visible location on the equipment.
- File this instruction sheet in a safe place and refer to it when maintaining and/or reinstalling this product.
- Failure to follow all safety precautions and instructions may result in property damage, serious injury or death to you and/or others.

1. GENERAL

The 4" Round and 6" Oval Signaling LED Light Module is a sealed, low current device designed for signaling purposes. The red is suitable as a stop, turn, and tail light. The amber is suitable as a turn light. The white is suitable as a back-up light. The light can be powered by 12-24VDC or 12VDC, depending on product.

2. UNPACKING

After unpacking the part, inspect it for damage that may have occurred in transit. If it has been damaged, file a claim immediately with the carriers, stating the extent of damage. Carefully check all envelopes, shipping labels, and tags before removing or destroying them.

3. KIT CONTENTS LIST

Qty	Description
1	Signaling light
1	Mounting accessory
1	Adapter cable

4. INSTALLATION NOTE

Read all instructions and plan all wiring and cable routing before performing any installation. Use mounting accessory, wire ties, and cable mounts (installer supplied) as needed to secure the wiring and to prevent chafing of the wiring. The white, red, and black wires on the wire ties supplied with this unit are not compatible with strobe power supplies.

- a) Determine the mounting location for the light and user-supplied control switch. Follow all DOT regulations for the proper location of vehicle lighting and number of lights.
- b) The function of adapter cable's wires is as follows:

White	"GND"	Ground
Black	"AIL"	Tail
Red	"STOP"	top-Turn-Back-up
- c) Caution: Before drilling or cutting holes in ANY part of a vehicle, be sure that both sides of the mounting surface are clear of parts that could be damaged; such as brake lines, electrical wiring or other vital parts.
- d) Cut mounting opening and holes for the lights, see figure 1.
- e) Connect the adapter cable, see figure 2,3,4,
 - i. For 4" and 6" light, connect the supplied adapter cable to the vehicle's wire harness.
- f) Install the LED module
 - i. The 4" & 6" light using rubber grommet, see figure 2.
 - ii. The 4" & 6" light using stainless steel ring, see figure 3.
 - iii. The 4" & 6" light using anti-theft stainless snap-in ring, see figure 4.
- g) Check the wiring and test for proper operation.

LED LIGHT SPECIFICATIONS

1. Physical specifications

- a) Identification Code:

DOT SAE S2	for stop light
DOT SAE I	for turn light
DOT SAE T2	for tail light
DOT SAE R	for back-up light
- b) Electronics: solid-state encapsulated PCB assembly
- c) Base: polycarbonate
- d) Lens: polycarbonate
- e) Weight: 0.7 lb (0.3 Kg)

- h) Size:
 - i. 4" light: $\Phi 4.3$ " (178 mm) diameter by 2.3" (57 mm)
 - ii. 6" light: 6.5 " (164mm) \times 2.3" (58mm) \times 1.9" (48mm)
- f) Mounting: See figure 1 for size of mounting opening and holes for each light

2. Electrical specifications:

- a) Input voltage:
 - 12-24 VDC Volt systems (+10 VDC to 30 VDC)
 - 12VDC Volt system (+10 VDC to 14 VDC)
- b) Input current: 0.5 A peak current at 12 VDC.
- c) Polarity: negative ground only and polarity protected.
- d) Connection:

White	"GND"	Ground
Black	"TAIL"	Tail
Red	"STOP"	Stop-Turn-Back-up

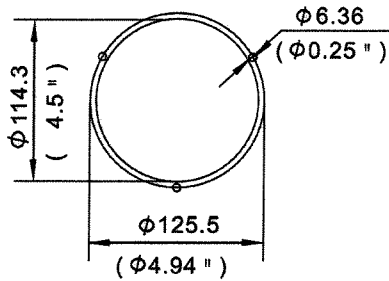
 Connection hardware is included.
- e) Fuse protection: Use no more than a 1.0 AMP fuse for each light.

3. Output specifications

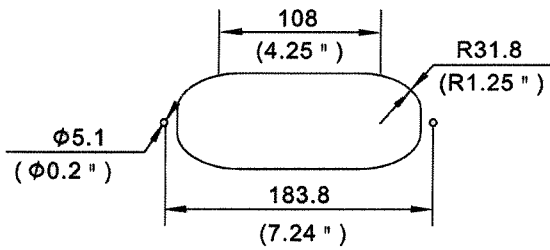
- a) Luminous intensity:
 - DOT FMVSS108 and related SAE standards compliant.
- b) Color specification: Complies with SAE J578 JUL 2002.

4. Additional specifications

- a) Warranty: Five year limited warranty. Plastic components three year limited warranty.
- b) Operating temperature: $0^{\circ}\text{C} - 50^{\circ}\text{C}$ ($32^{\circ}\text{F} - 122^{\circ}\text{F}$). Indicate Fahrenheit temperature
- c) Cleaning: Unit may be exposed to spray wash.



4" Light



6" Light

Figure1.
Mounting Opening

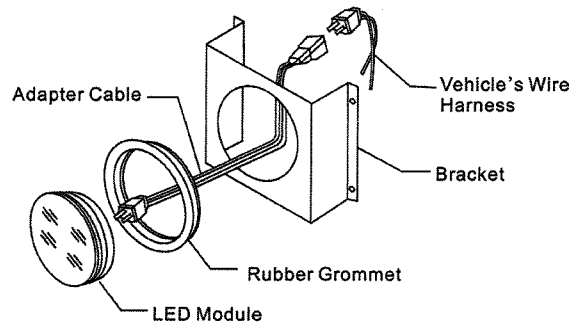


Figure2.
4" 6" Rubber Grommet Assembly

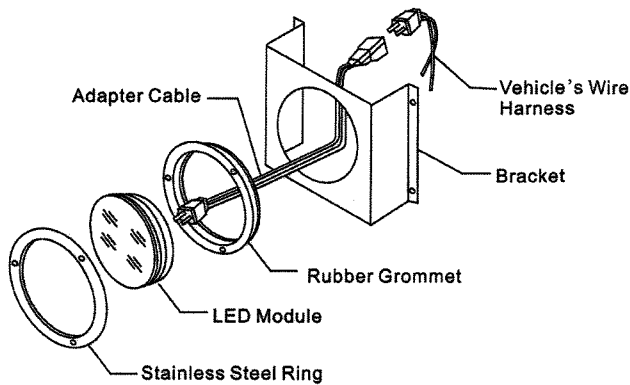


Figure3.
4" 6" Stainless Steel Ring Assembly

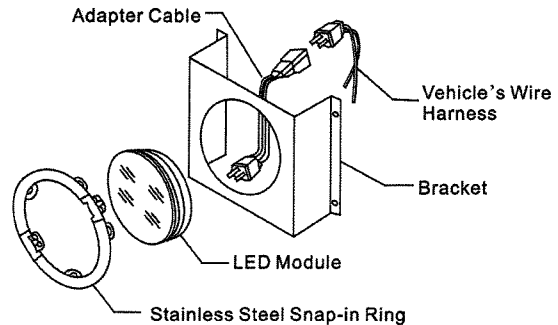


Figure4.
4" 6" Snap-in Ring Assembly